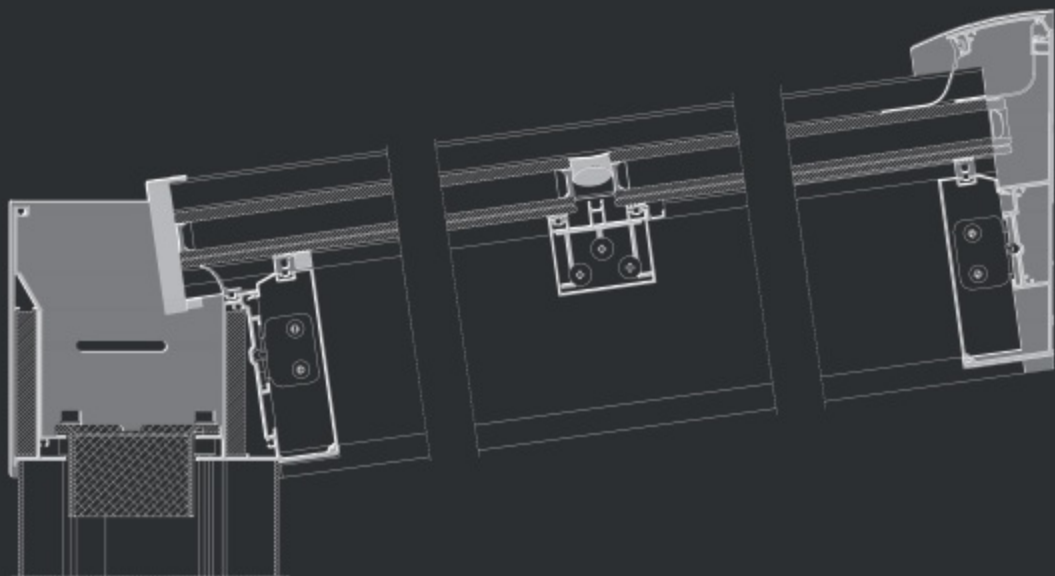


145WG

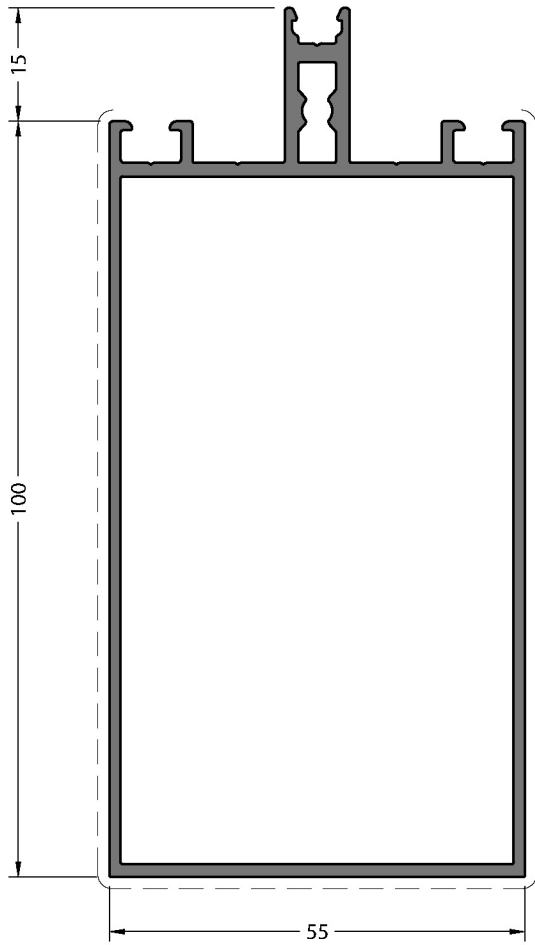
WINTER GARDEN SYSTEM KIŞ BAHÇESİ SİSTEMİ

- There are two basic versions: Standard and Plus (condense channel) with 8 degree fixed angle.
- StandardAng and PlusAng (condense channel) versions are also available at different angles between 5-15 degrees.
- Strut profiles are 145x145 mm.
- The gutter profile has the same size as the strut profile and offers a modern appearance.
- It offers high-level insulation thanks to the special membrane detail on the wall profile.
- It is fully compatible with the 24GS (sliding system) system.
- It is compatible with the skylight opening in the 50F (curtain wall) system.

- Standart ve Plus (kondens kanallı) 8 derece sabit açılı, iki temel versiyonu bulunmaktadır.
- StandartAng ve PlusAng (kondens kanallı) 5-15 derece arası farklı açılarda, versiyonları da vardır.
- Dikme profilleri 145x145 mm dir.
- Oluş profili dikme profiliyle aynı boyuta sahip, modern bir görünüm sunmaktadır.
- Duvar profilindeki özel membran detayı sayesinde üst düzey izolasyon sunmaktadır.
- 24GS (sürme sistemi) sistemiyle tam uyumludur.
- 50F (giydirme cephe) sisteminin içerisinde yer alan skylight açılılarıyla uyumludur.



PROFILES / PROFILLER

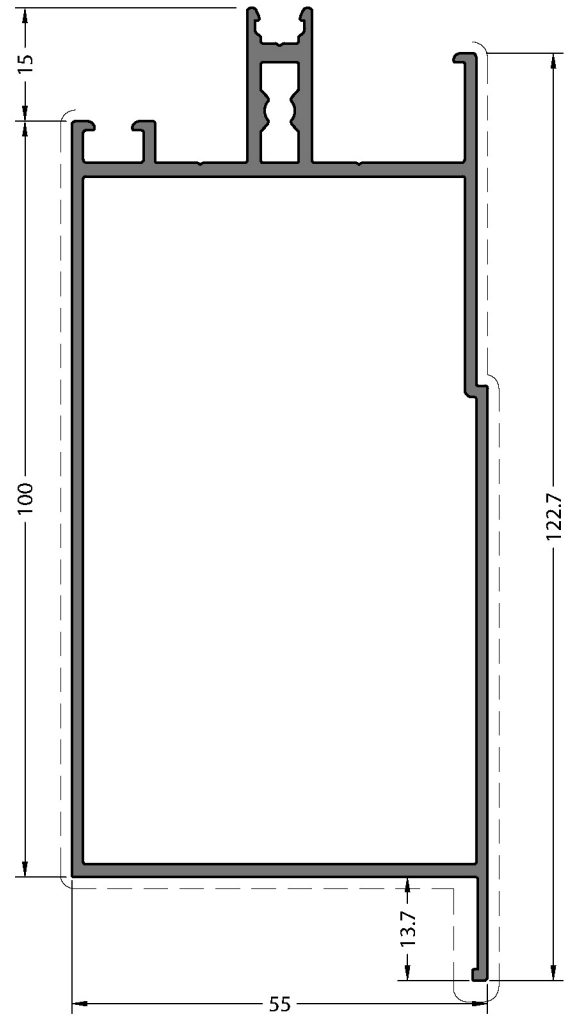


CODE / KOD

145WG-101

THEORETICAL WEIGHT
TEORİK AĞIRLIK (kg/m)

1.603

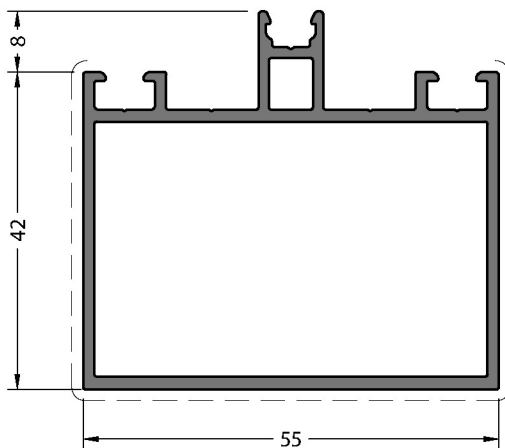


CODE / KOD

145WG-111

THEORETICAL WEIGHT
TEORİK AĞIRLIK (kg/m)

1.662

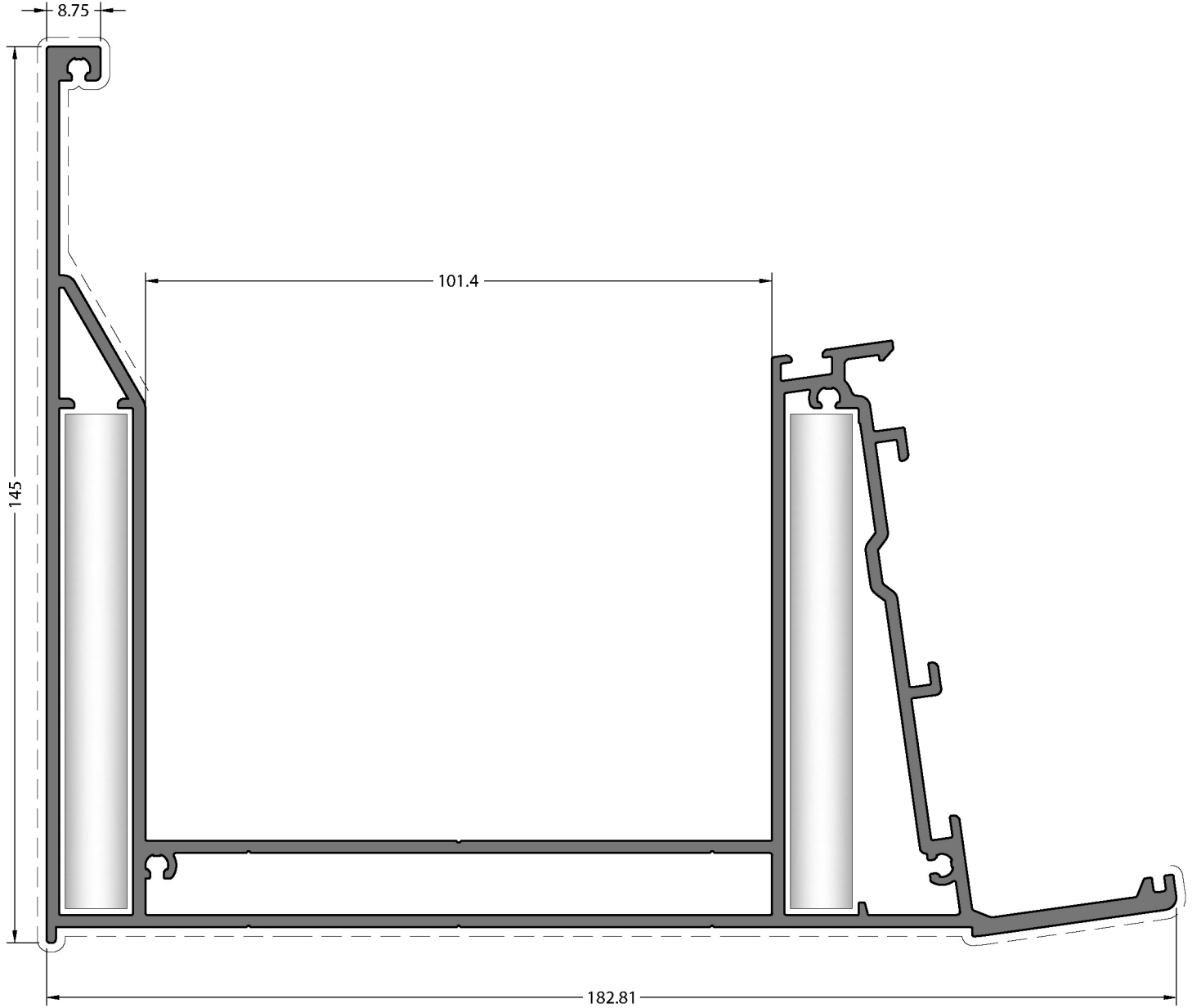


CODE / KOD

145WG-132

THEORETICAL WEIGHT
TEORİK AĞIRLIK (kg/m)

0.981



CODE / KOD

145WG-201

THEORETICAL WEIGHT

TEORİK AĞIRLIK (kg/m)

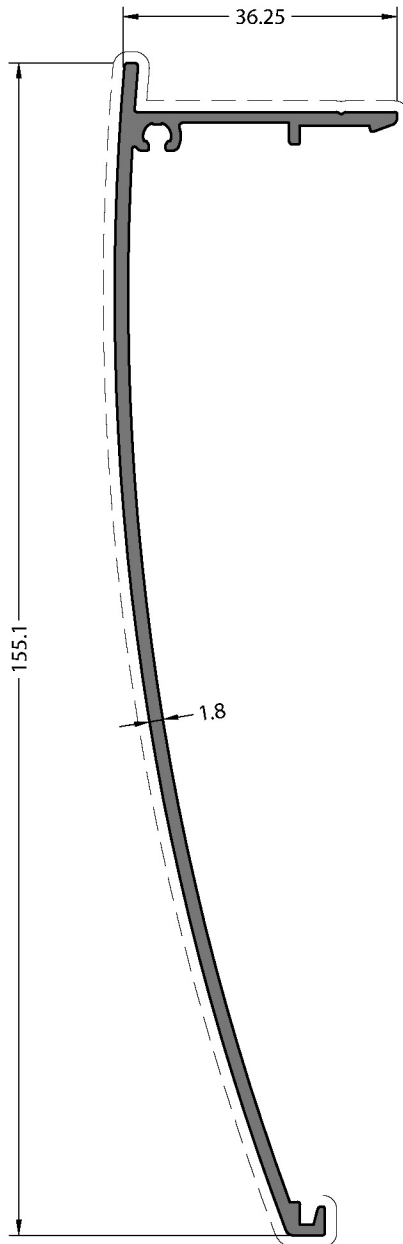
4.363

PRESS CORNER JOINT

PRES KÖŞE BAĞLANTI



A 13-119-100 (80x10)



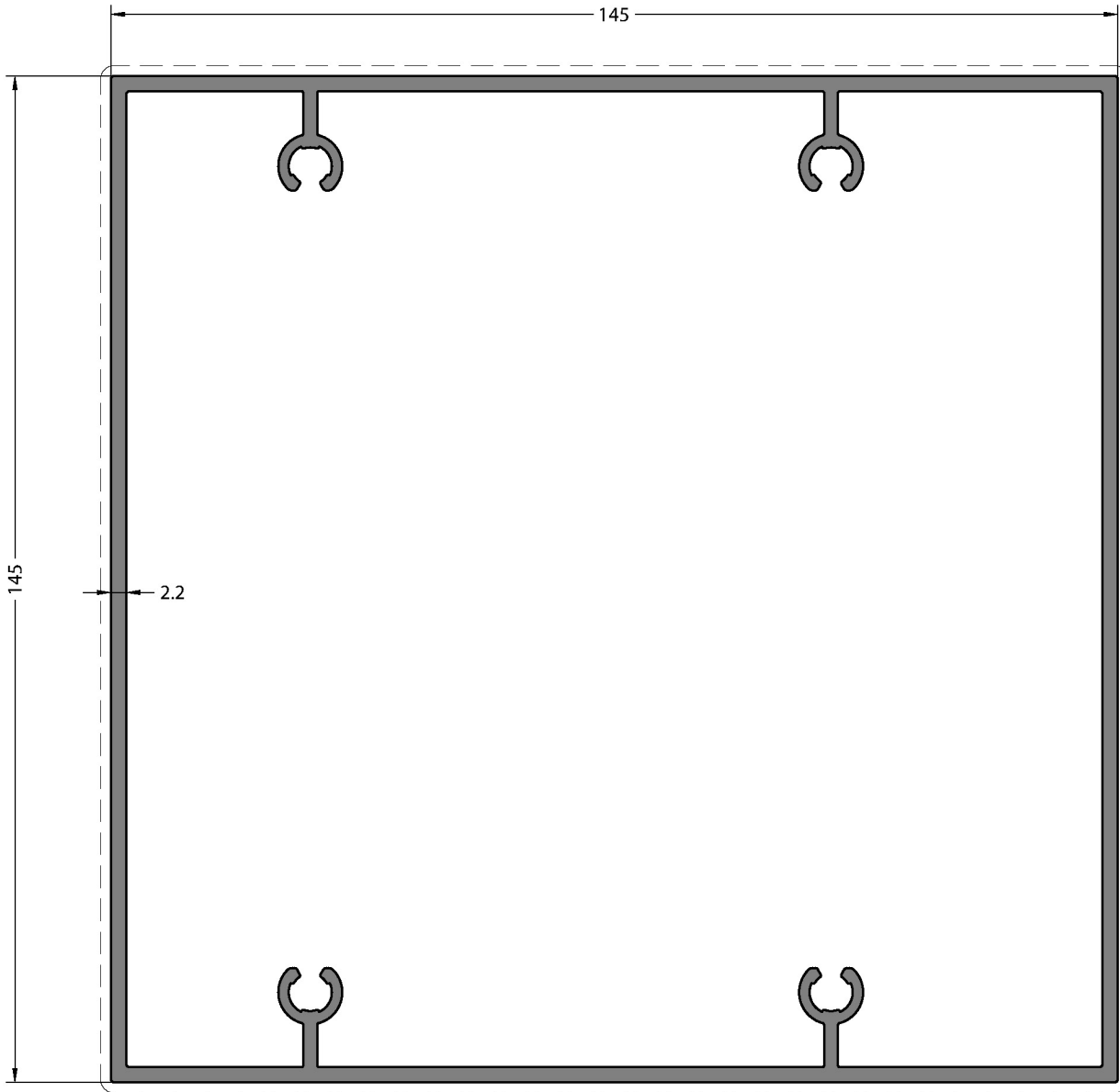
CODE / KOD

145WG-212

THEORETICAL WEIGHT

TEORİK AĞIRLIK (kg/m)

0.984



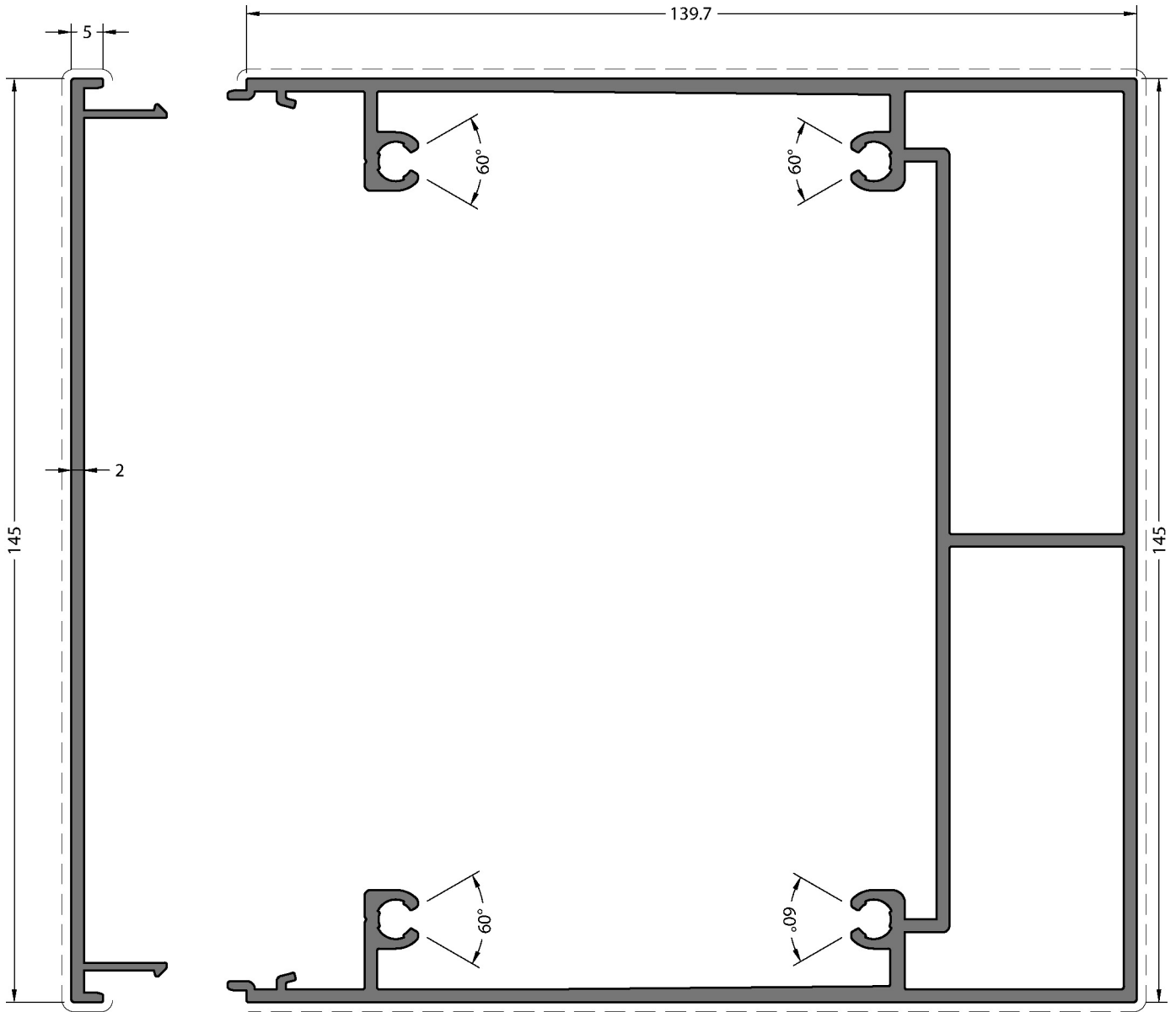
CODE / KOD

145WG-301

THEORETICAL WEIGHT

TEORİK AĞIRLIK (kg/m)

3.874



CODE / KOD

145WG-312

THEORETICAL WEIGHT
TEORİK AĞIRLIK (kg/m)

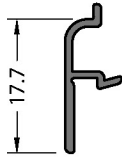
0.895

CODE / KOD

145WG-311

THEORETICAL WEIGHT
TEORİK AĞIRLIK (kg/m)

3.886



CODE / KOD

145WG-411

THEORETICAL WEIGHT

TEORİK AĞIRLIK (kg/m)

0.083

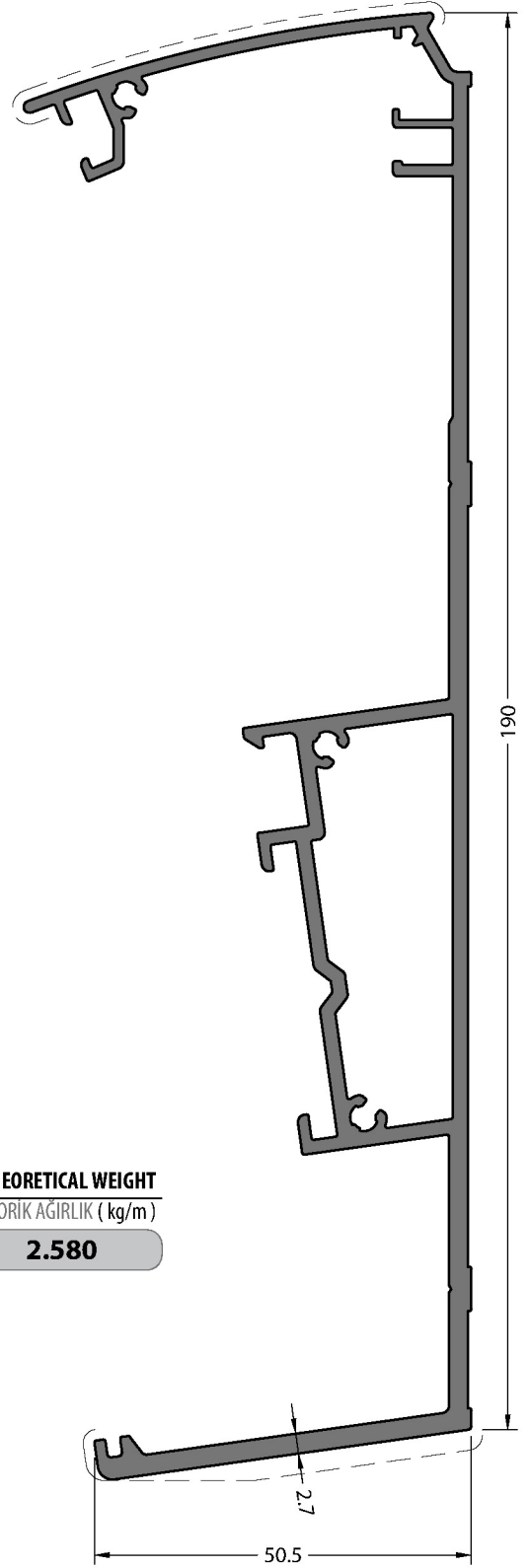
CODE / KOD

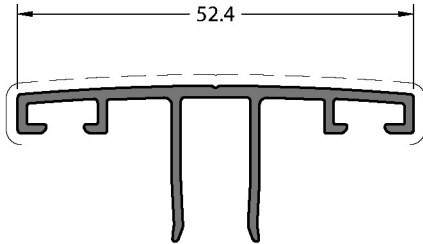
145WG-401

THEORETICAL WEIGHT

TEORİK AĞIRLIK (kg/m)

2.580





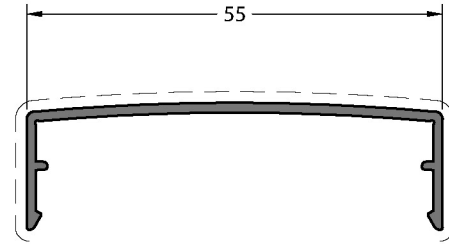
CODE / KOD

145WG-501

THEORETICAL WEIGHT

TEORİK AĞIRLIK (kg/m)

0.403



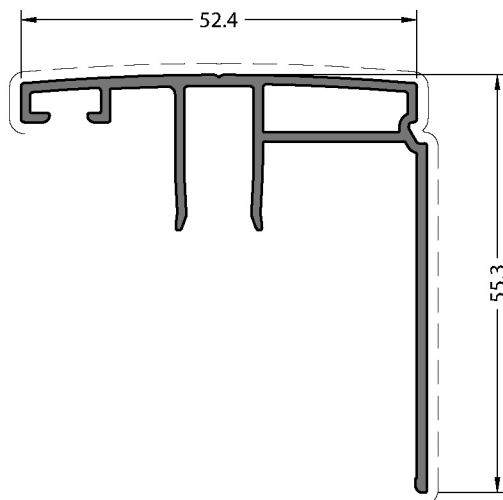
CODE / KOD

145WG-502

THEORETICAL WEIGHT

TEORİK AĞIRLIK (kg/m)

0.296



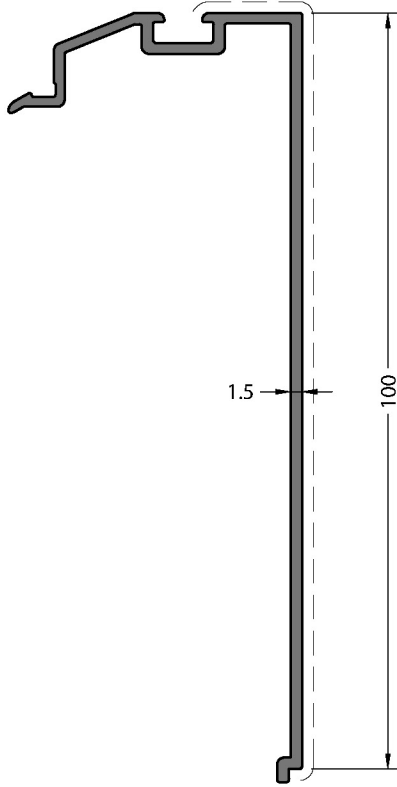
CODE / KOD

145WG-503

THEORETICAL WEIGHT

TEORİK AĞIRLIK (kg/m)

0.603



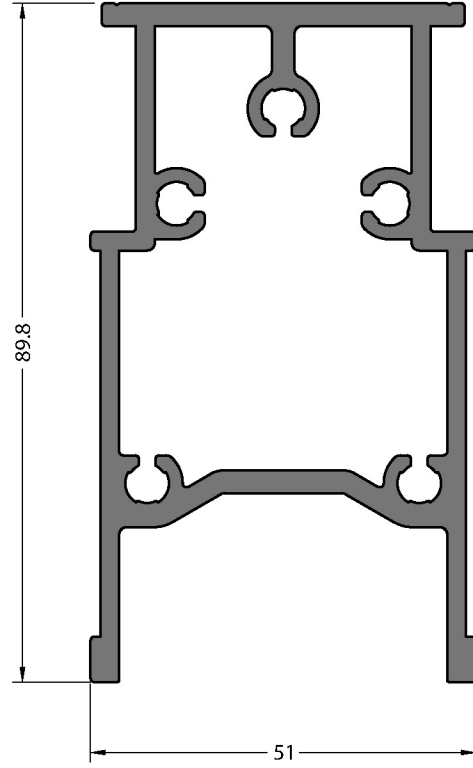
CODE / KOD

145WG-701

THEORETICAL WEIGHT
TEORİK AĞIRLIK (kg/m)

0.628

Mill Finish / Pres
No visible surface. Görünen yüzeyi yoktur.



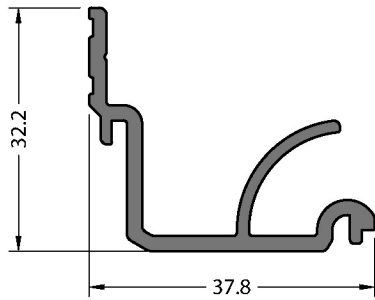
CODE / KOD

145WG-901

THEORETICAL WEIGHT
TEORİK AĞIRLIK (kg/m)

2.498

Mill Finish / Pres
No visible surface. Görünen yüzeyi yoktur.



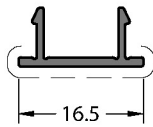
CODE / KOD

145WG-601

THEORETICAL WEIGHT

TEORİK AĞIRLIK (kg/m)

0.497



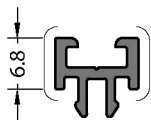
CODE / KOD

145WG-603

THEORETICAL WEIGHT

TEORİK AĞIRLIK (kg/m)

0.087



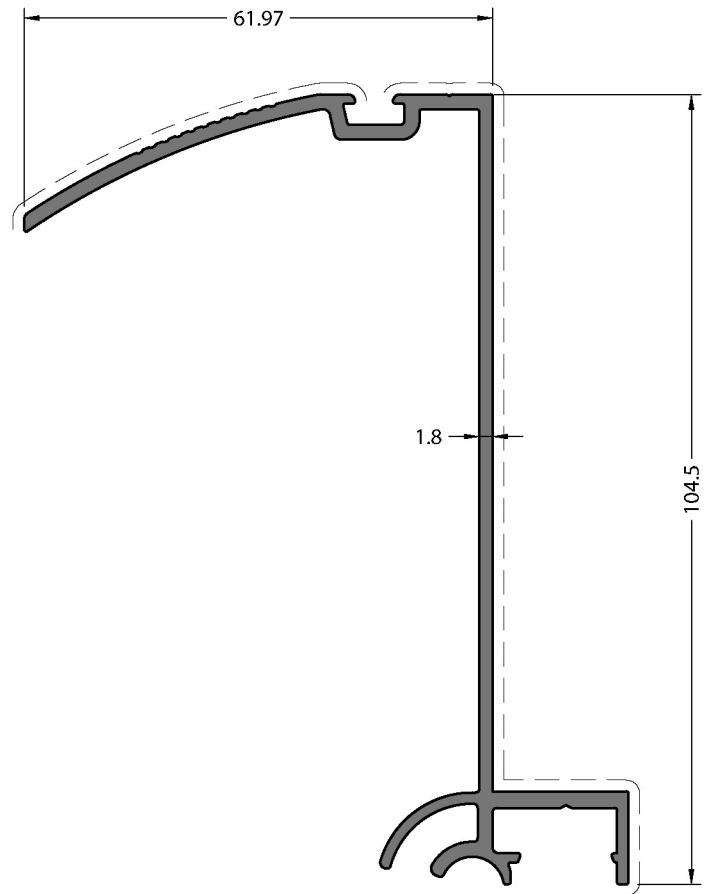
CODE / KOD

50F-9301-00

THEORETICAL WEIGHT

TEORİK AĞIRLIK (kg/m)

0.123



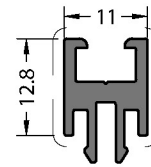
CODE / KOD

145WG-602

THEORETICAL WEIGHT

TEORİK AĞIRLIK (kg/m)

1.158



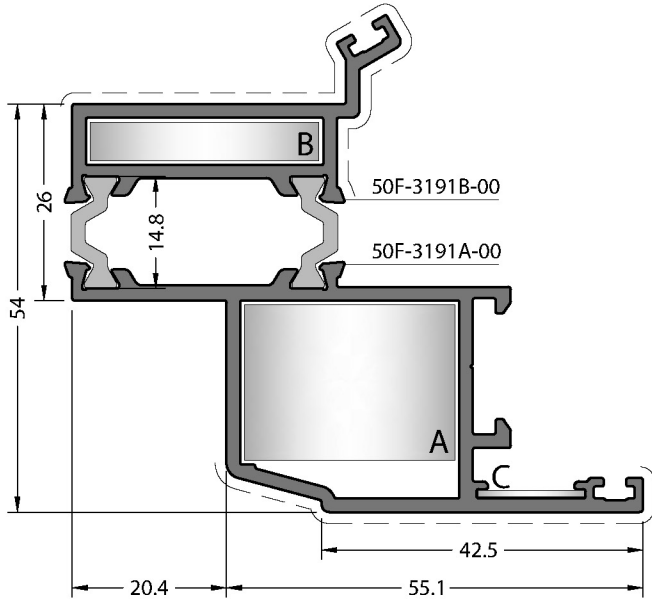
CODE / KOD

50F-9304-00

THEORETICAL WEIGHT

TEORİK AĞIRLIK (kg/m)

0.222



CODE / KOD

50F-3191-00

THEORETICAL WEIGHT

TEORİK AĞIRLIK (kg/m)

1.580

PRESS CORNER JOINT

PRES KÖŞE BAĞLANTI



A CC-123-21.2

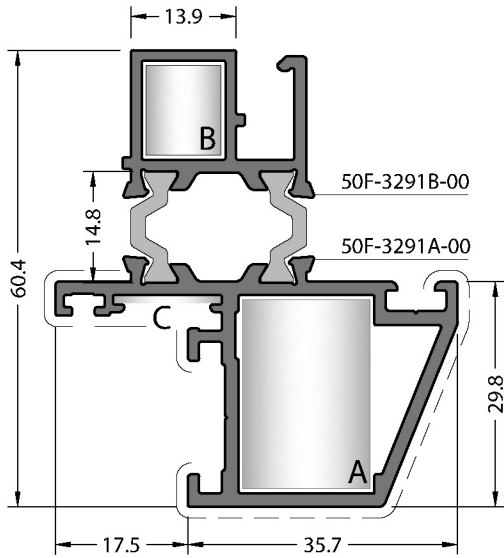


A CC-104-05.8



A MK-20.1

50F-3291B-00 Black Anodising. / Siyah Eloksal.



CODE / KOD

50F-3291-00

THEORETICAL WEIGHT

TEORİK AĞIRLIK (kg/m)

1.313

PRESS CORNER JOINT

PRES KÖŞE BAĞLANTI



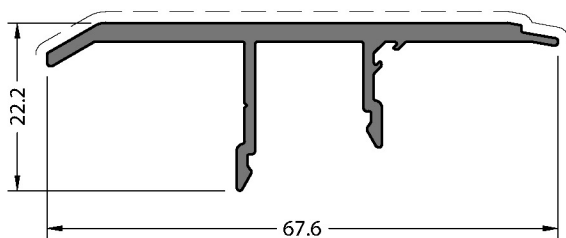
A CC-122-25.7



A CC-101-12.6



A MK-20.1



CODE / KOD

50F-3391-00

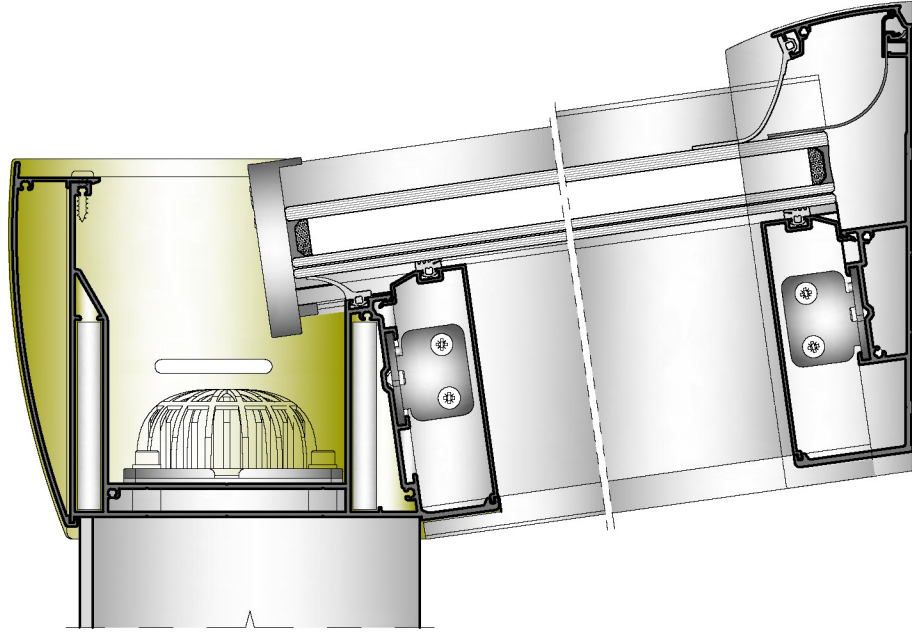
THEORETICAL WEIGHT

TEORİK AĞIRLIK (kg/m)

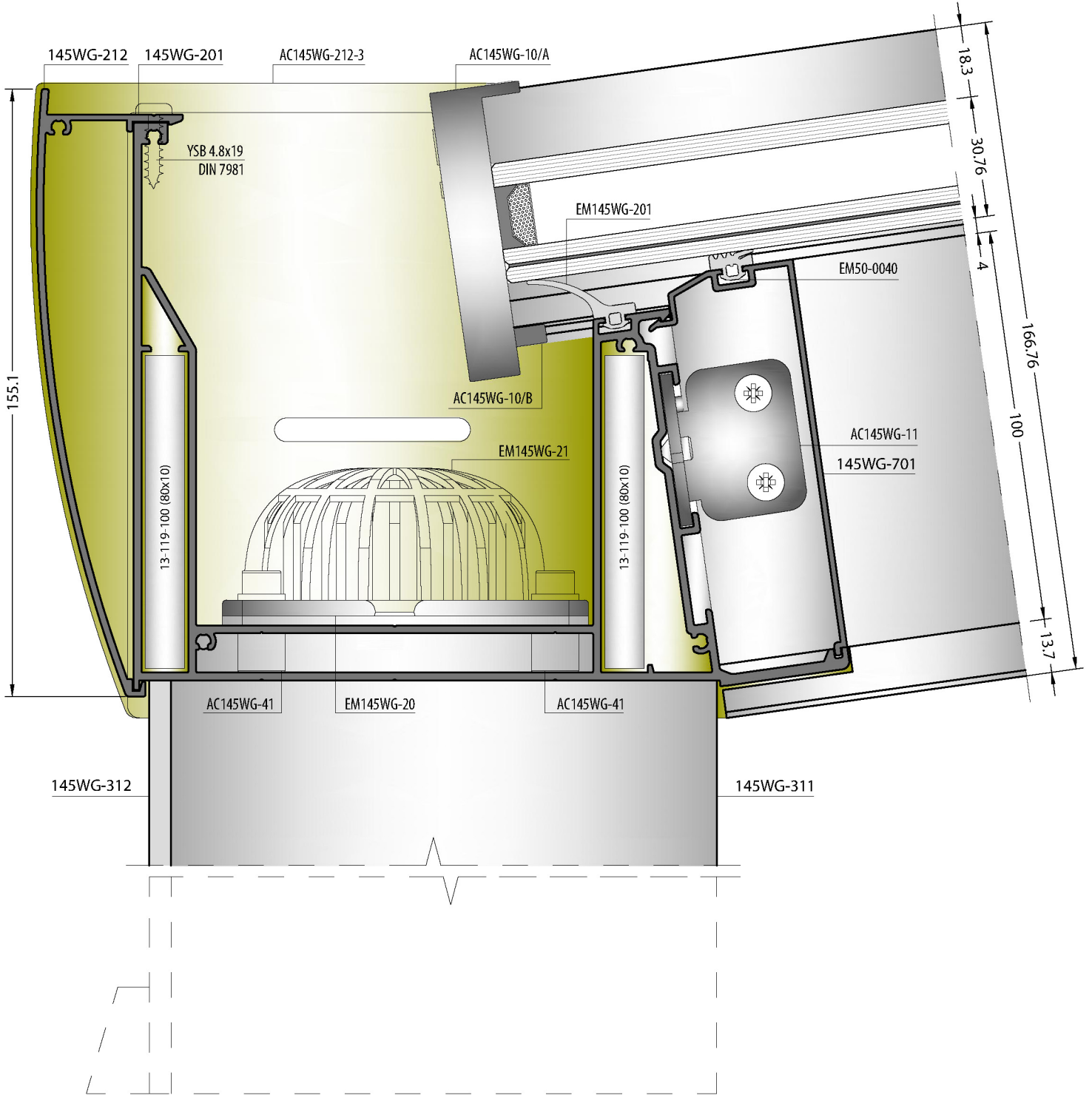
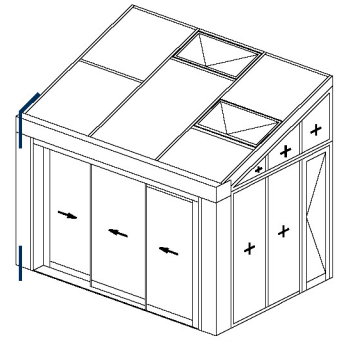
0.571

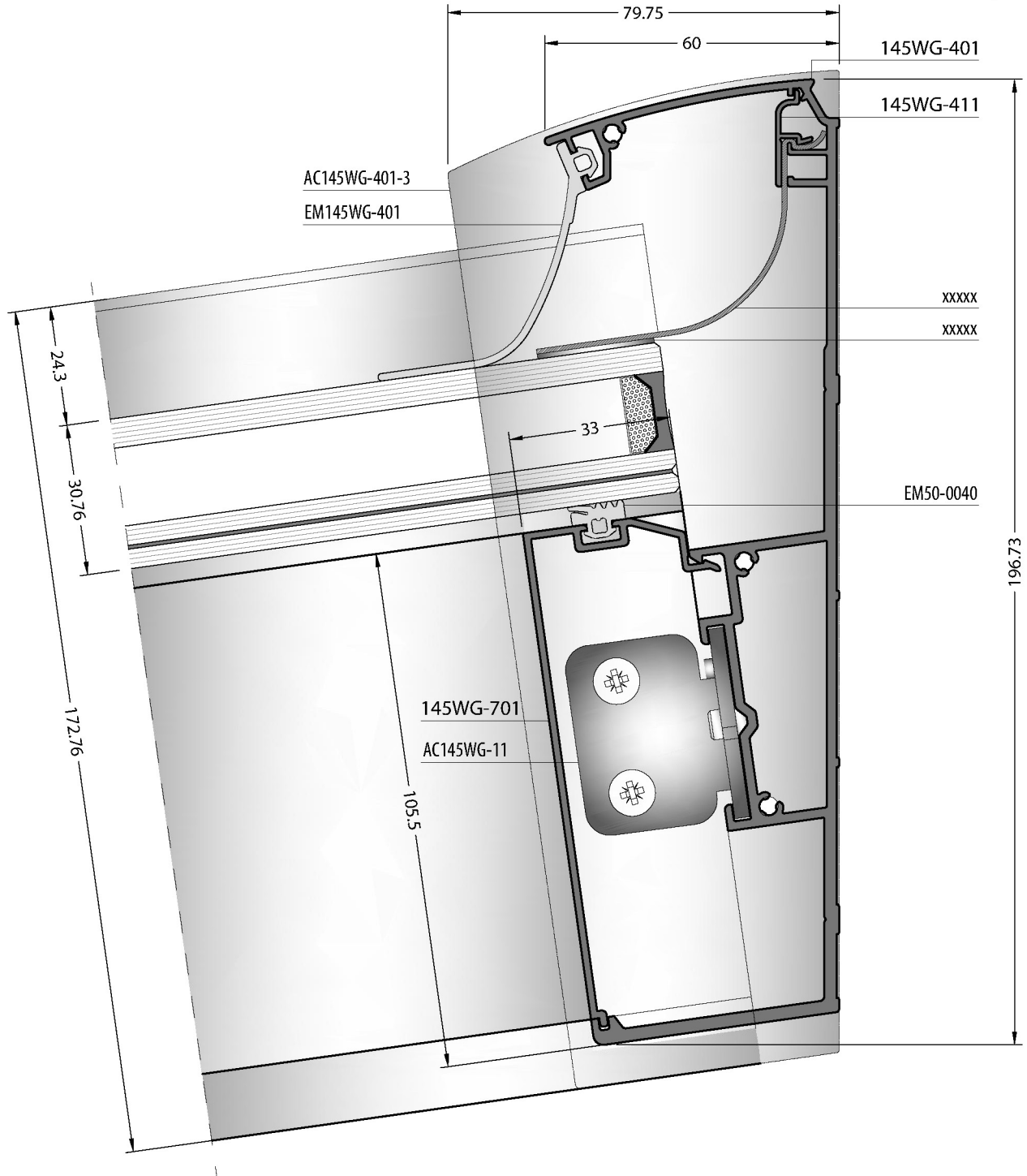
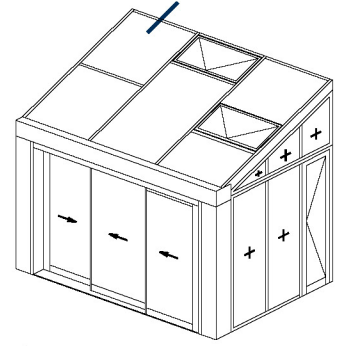
DETAILS / DETAYLAR

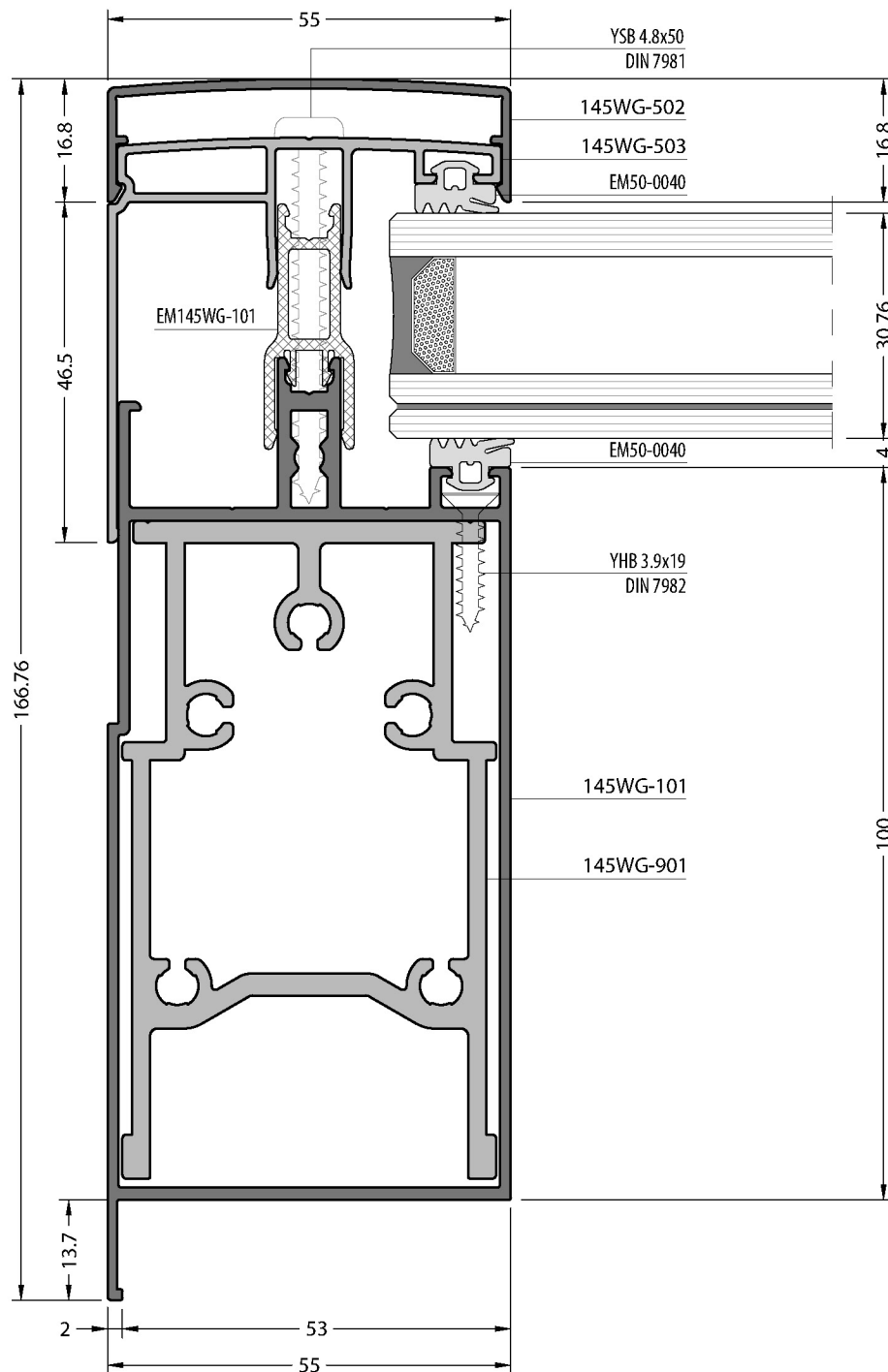
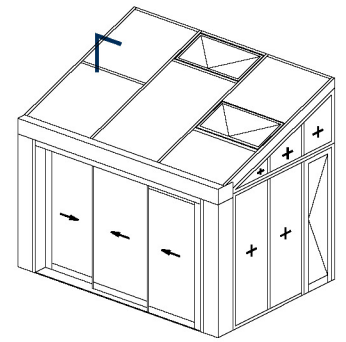
STANDARD

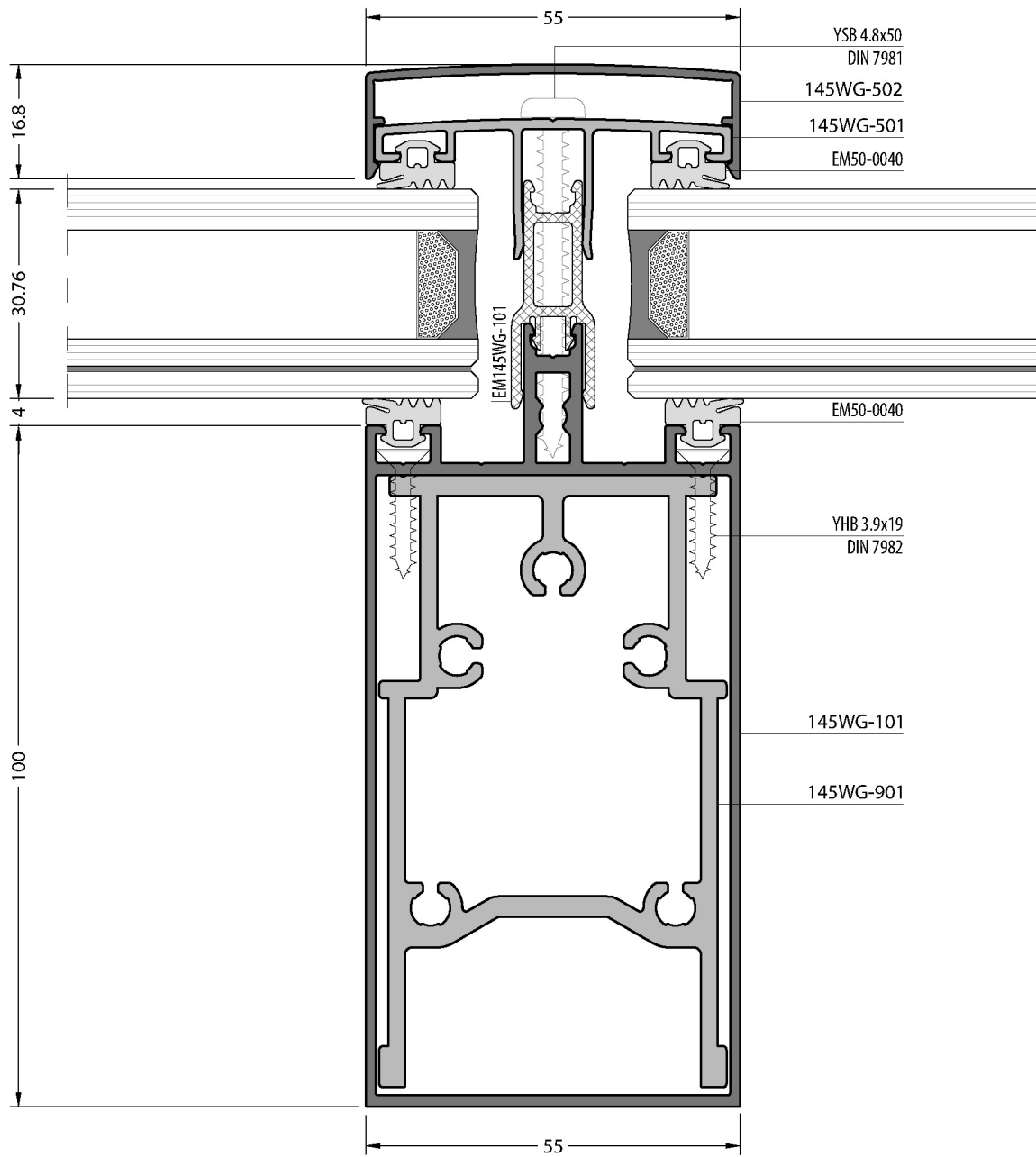
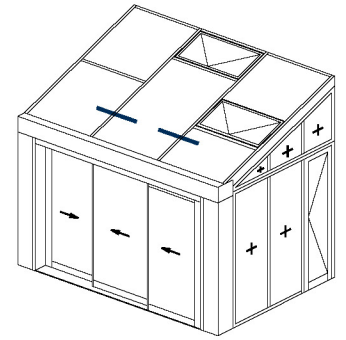


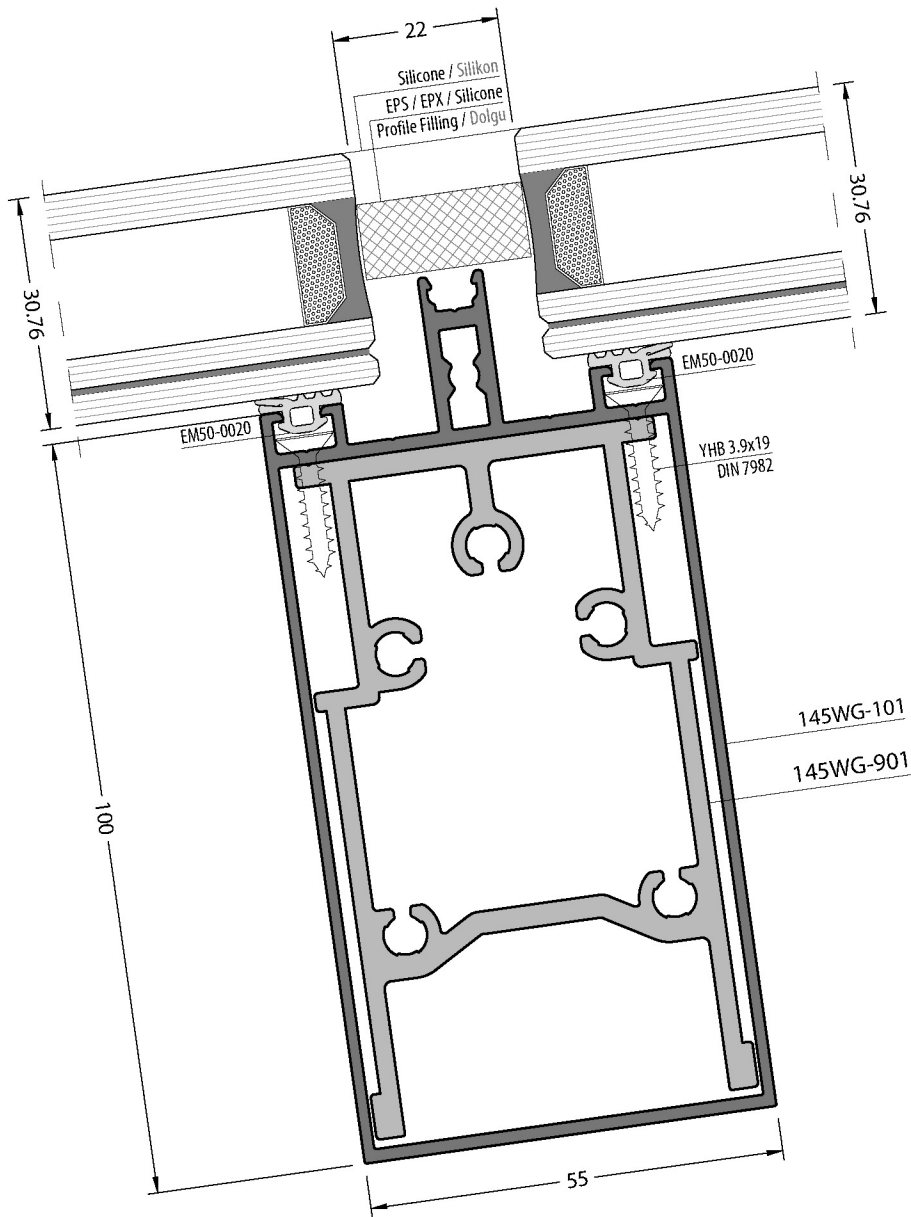
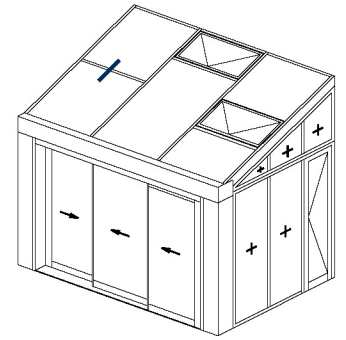
- FIXED ANGLE** | SABİT AÇI (8°)
- ADJUSTABLE ANGLE** | AYARLANABİLİR AÇI (8° - 15°)
- CONDENSE WATER DRAINAGE** | YOĞUŞMA SUYU TAHLİYESİ

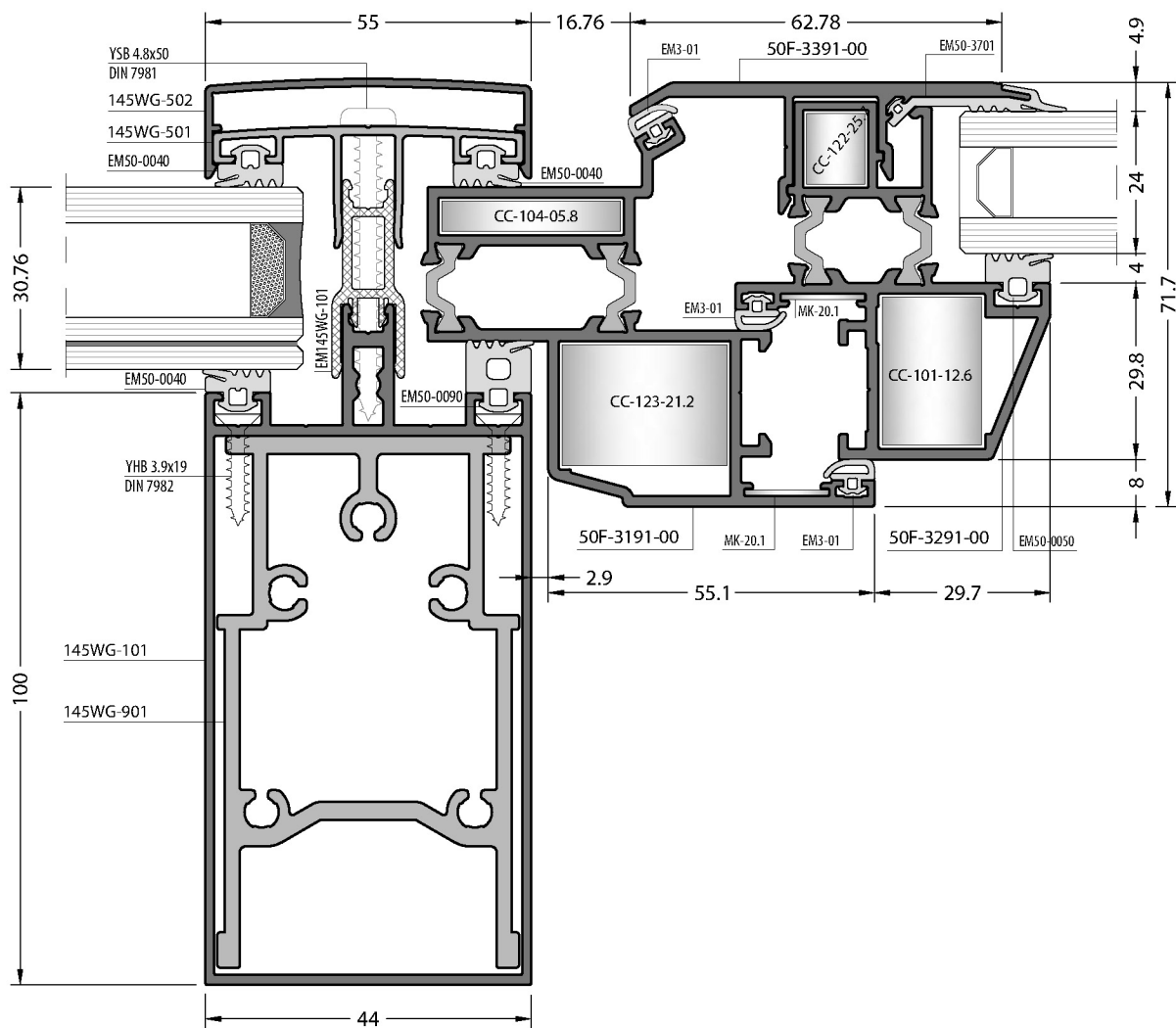
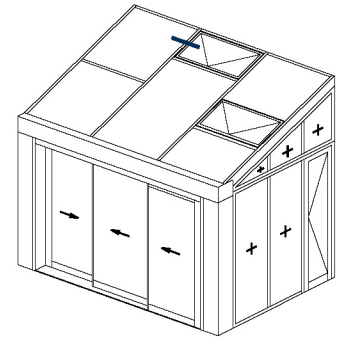


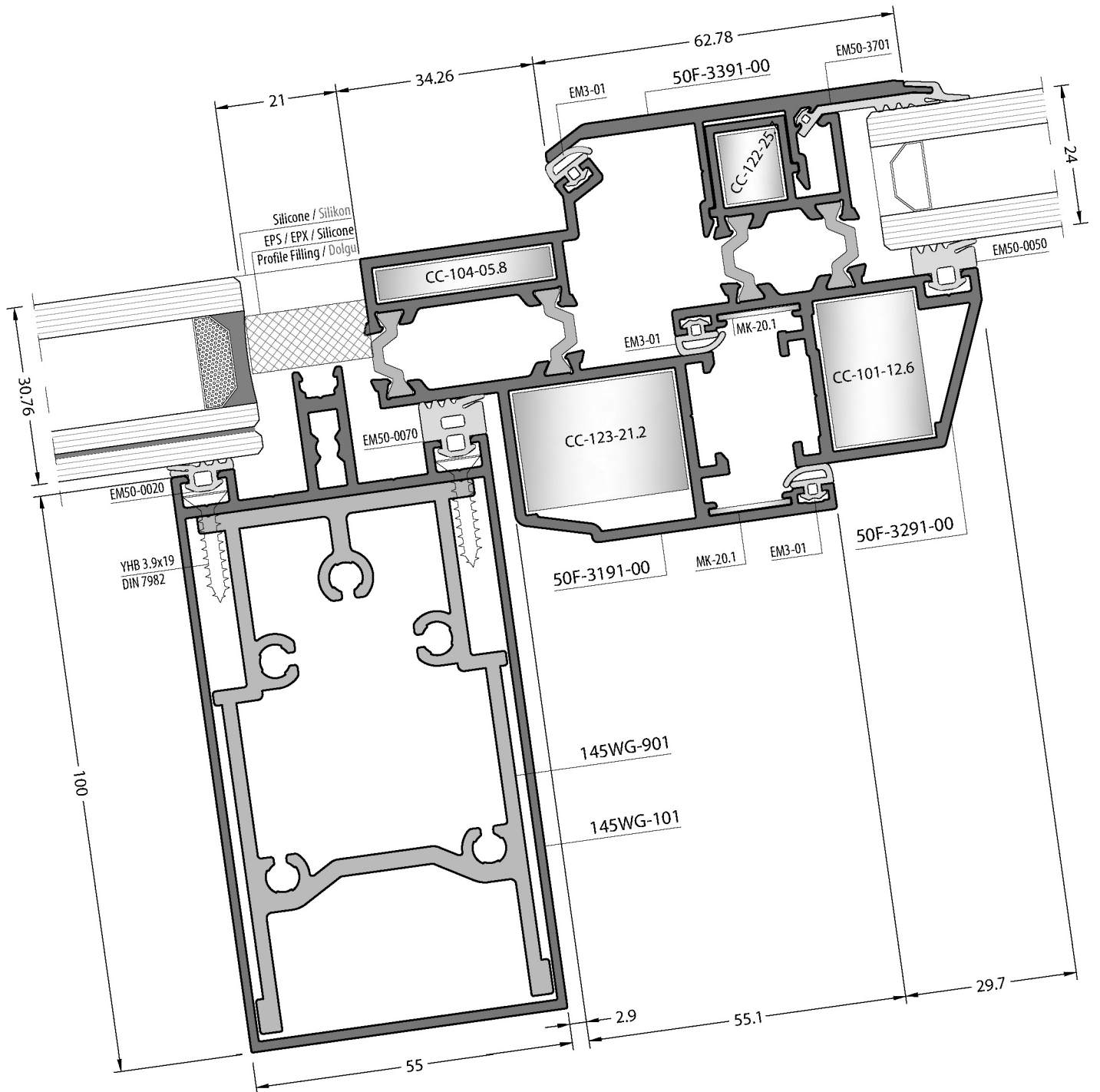
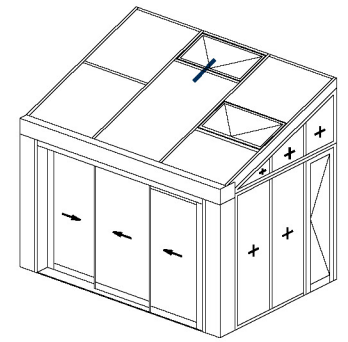


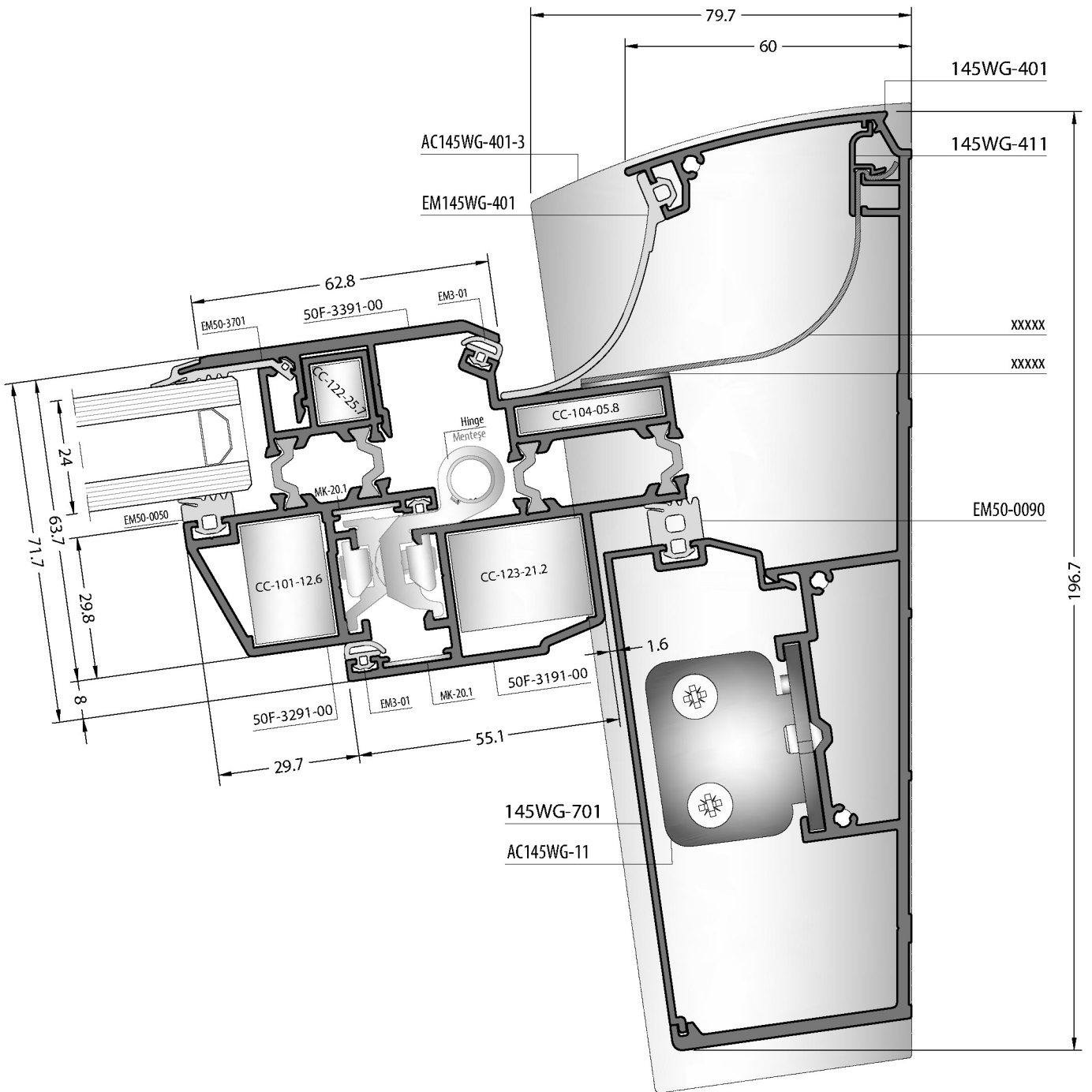
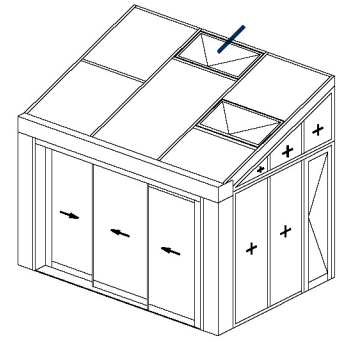




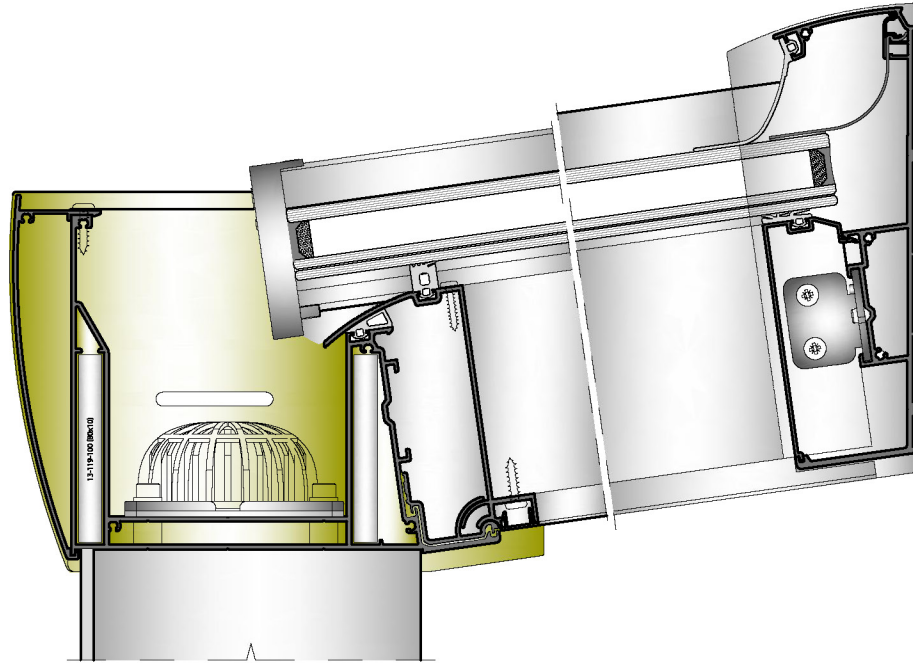




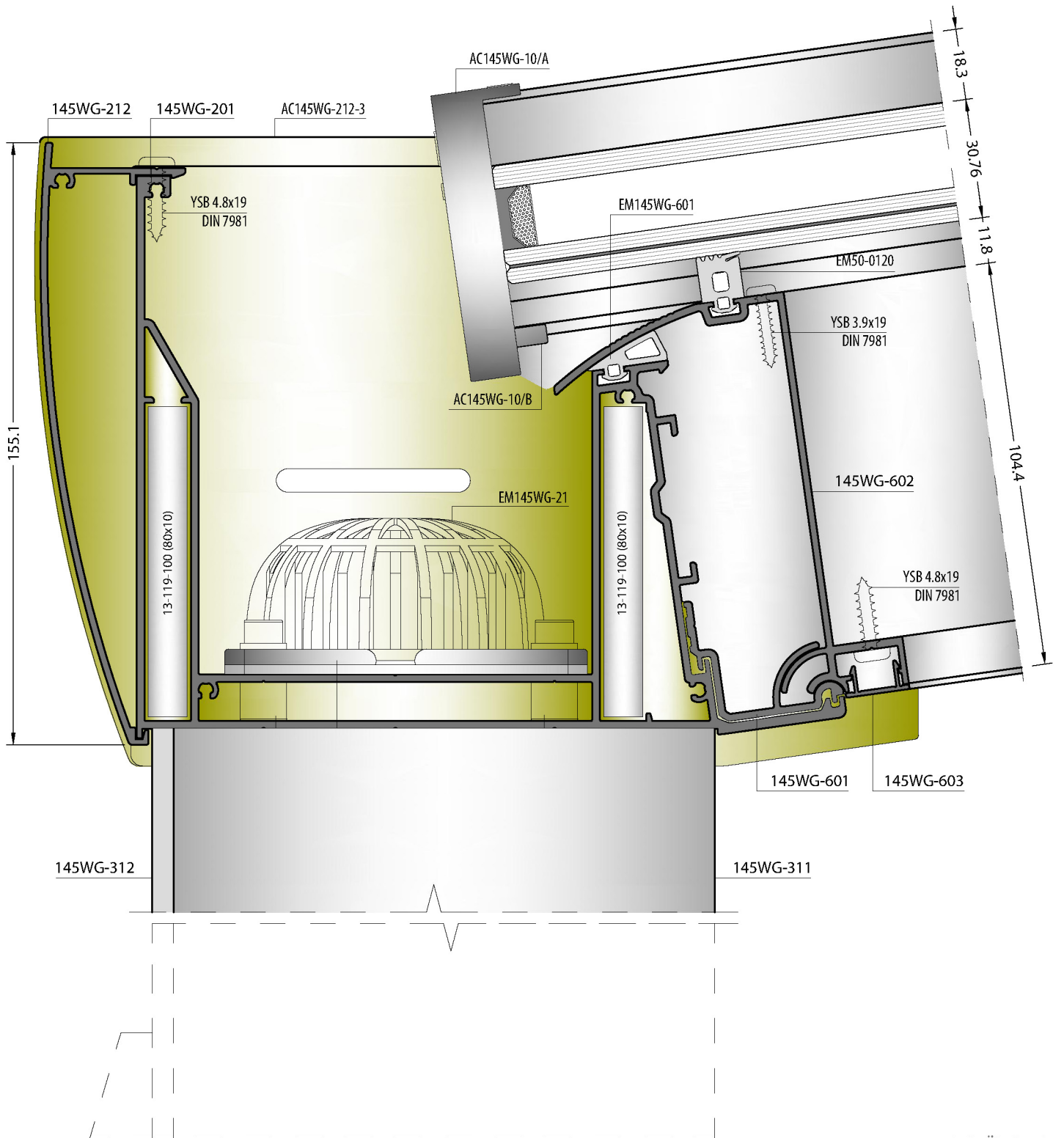
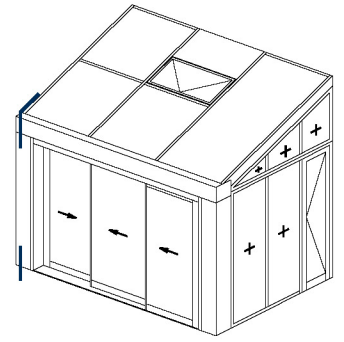


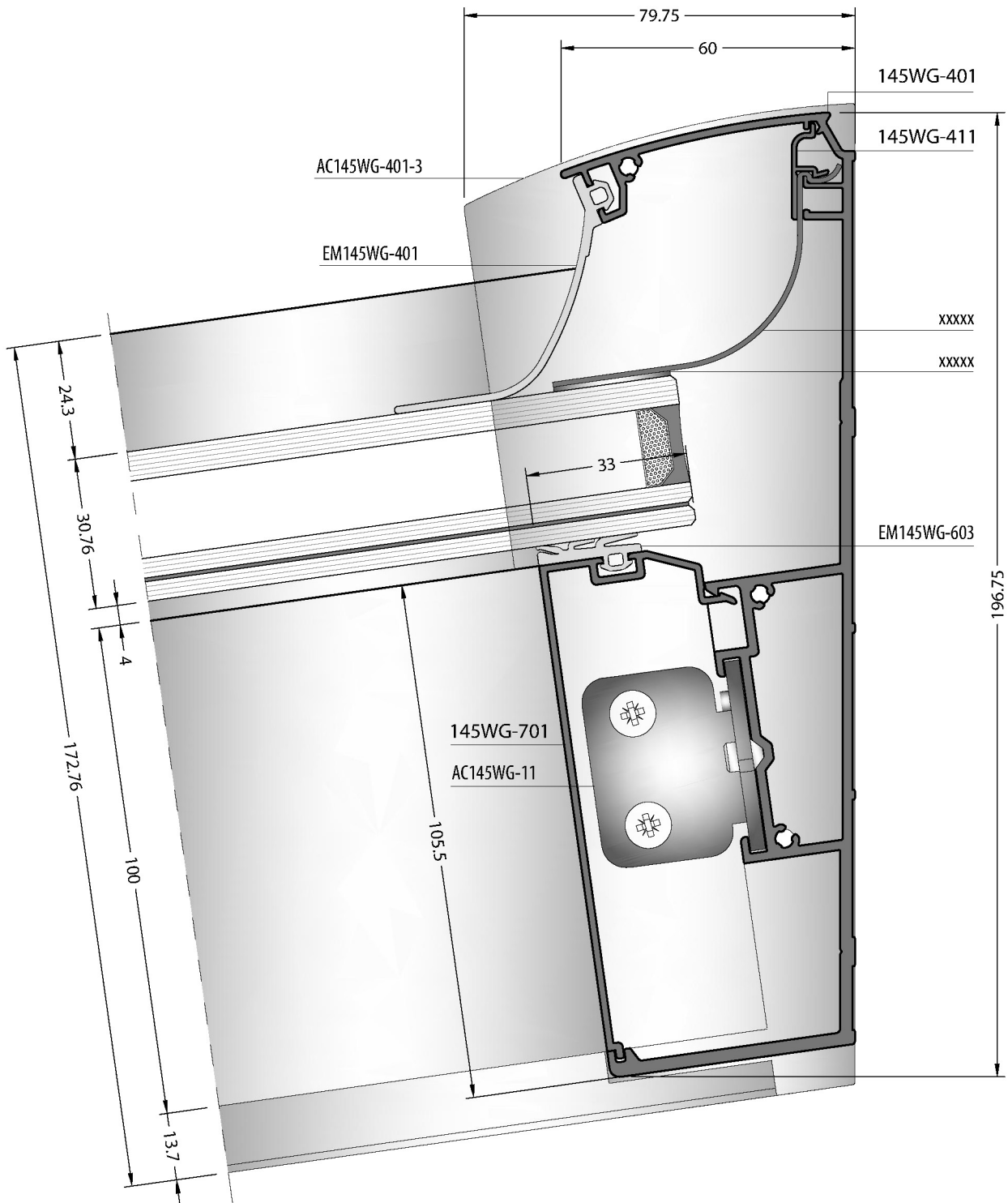
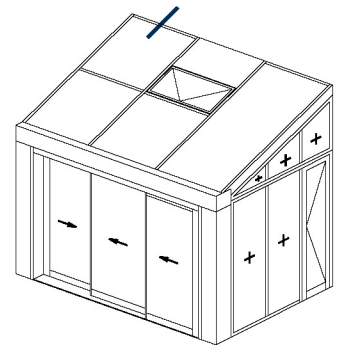


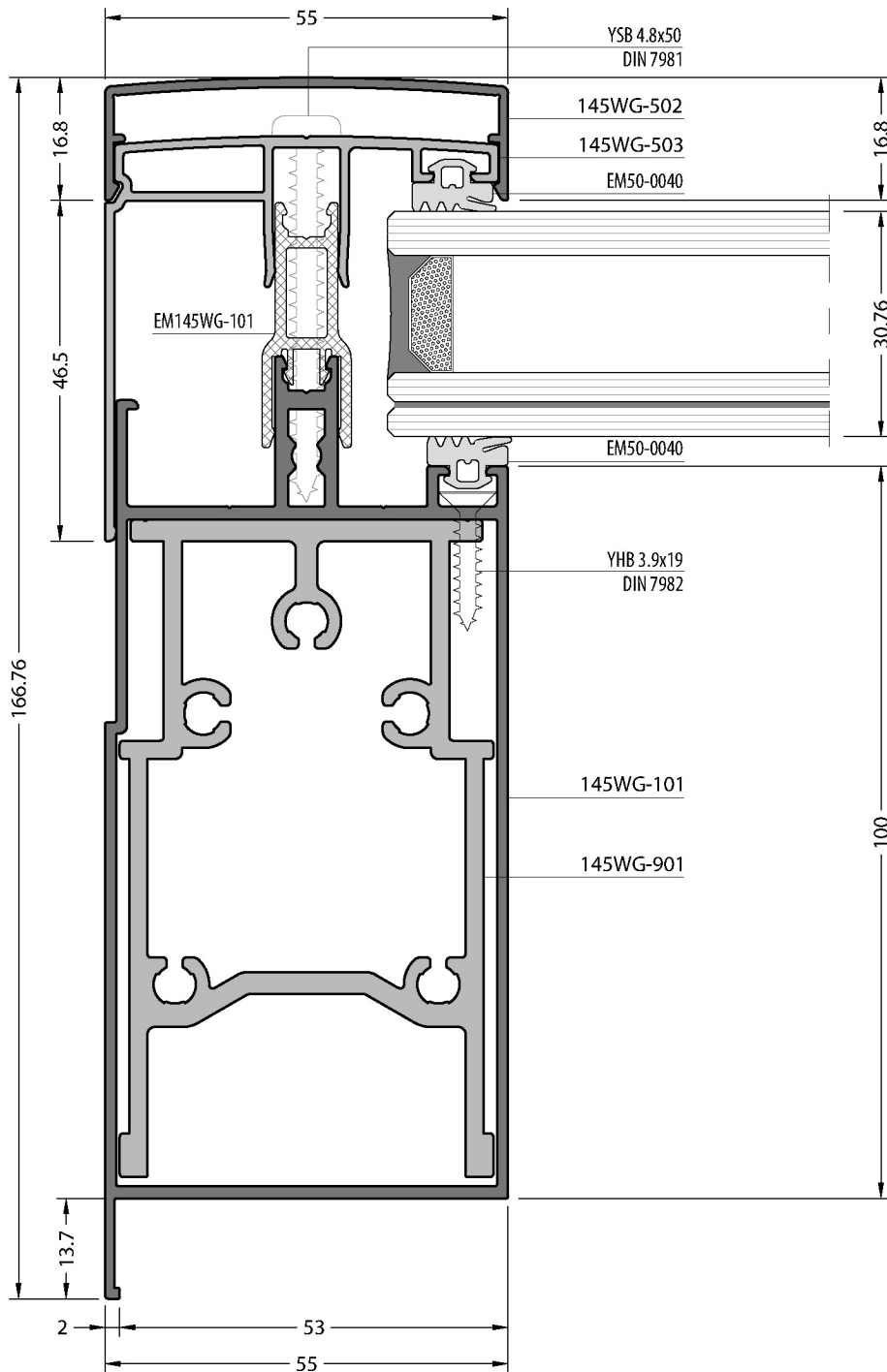
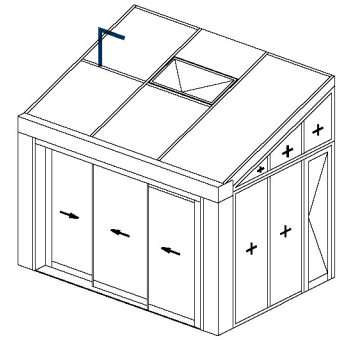
STANDARD ANG

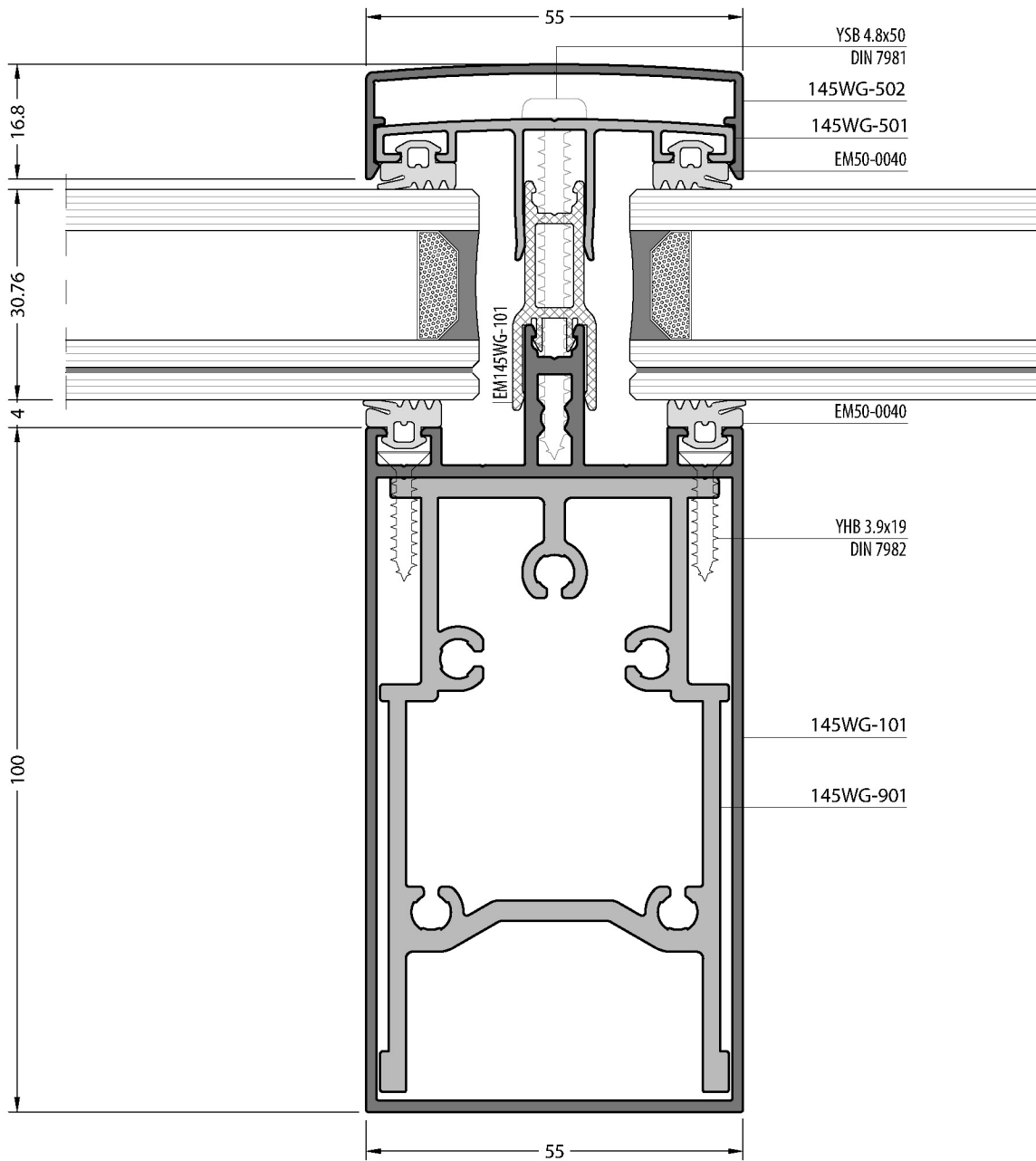
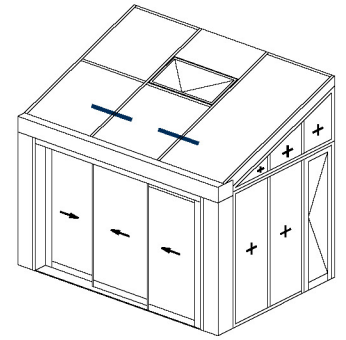


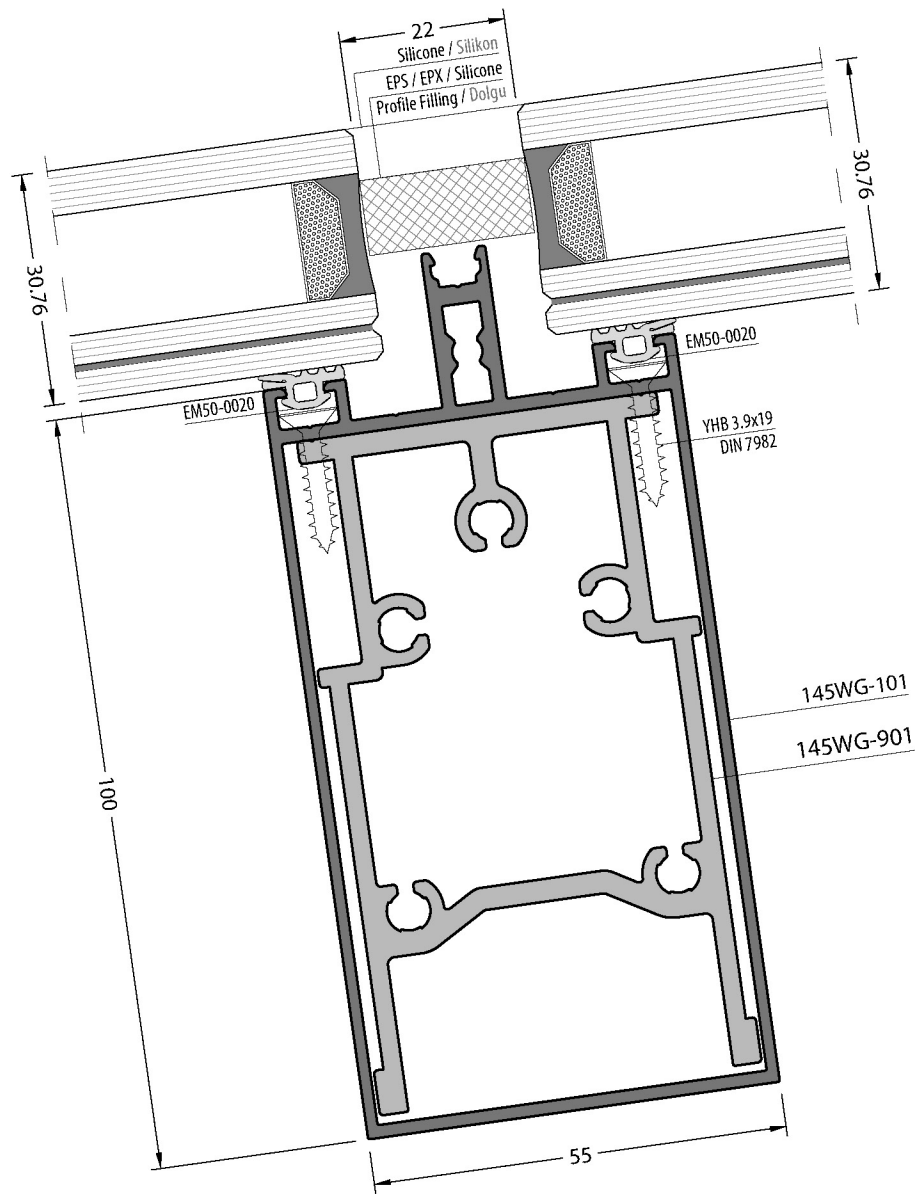
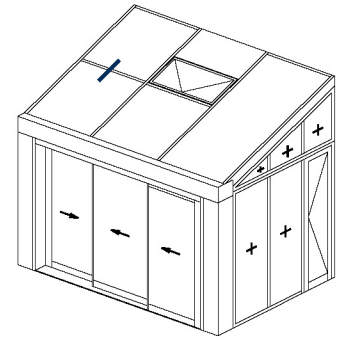
- FIXED ANGLE** | SABİT AÇI (8°)
- ADJUSTABLE ANGLE** | AYARLANABİLİR AÇI (8° - 15°)
- CONDENSE WATER DRAINAIGE** | YOĞUŞMA SUYU TAHLİYESİ

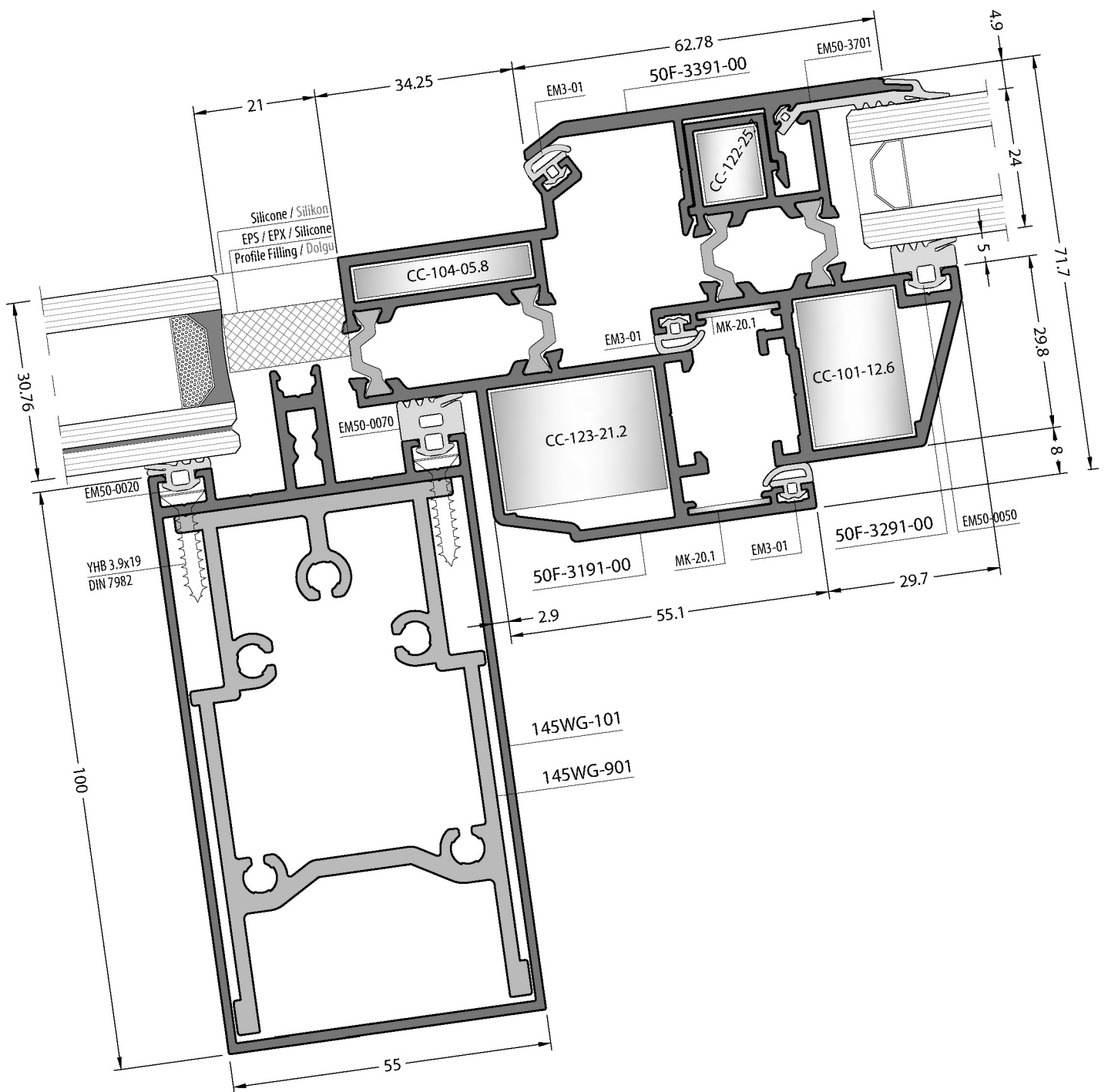
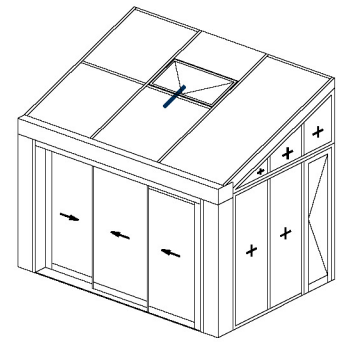


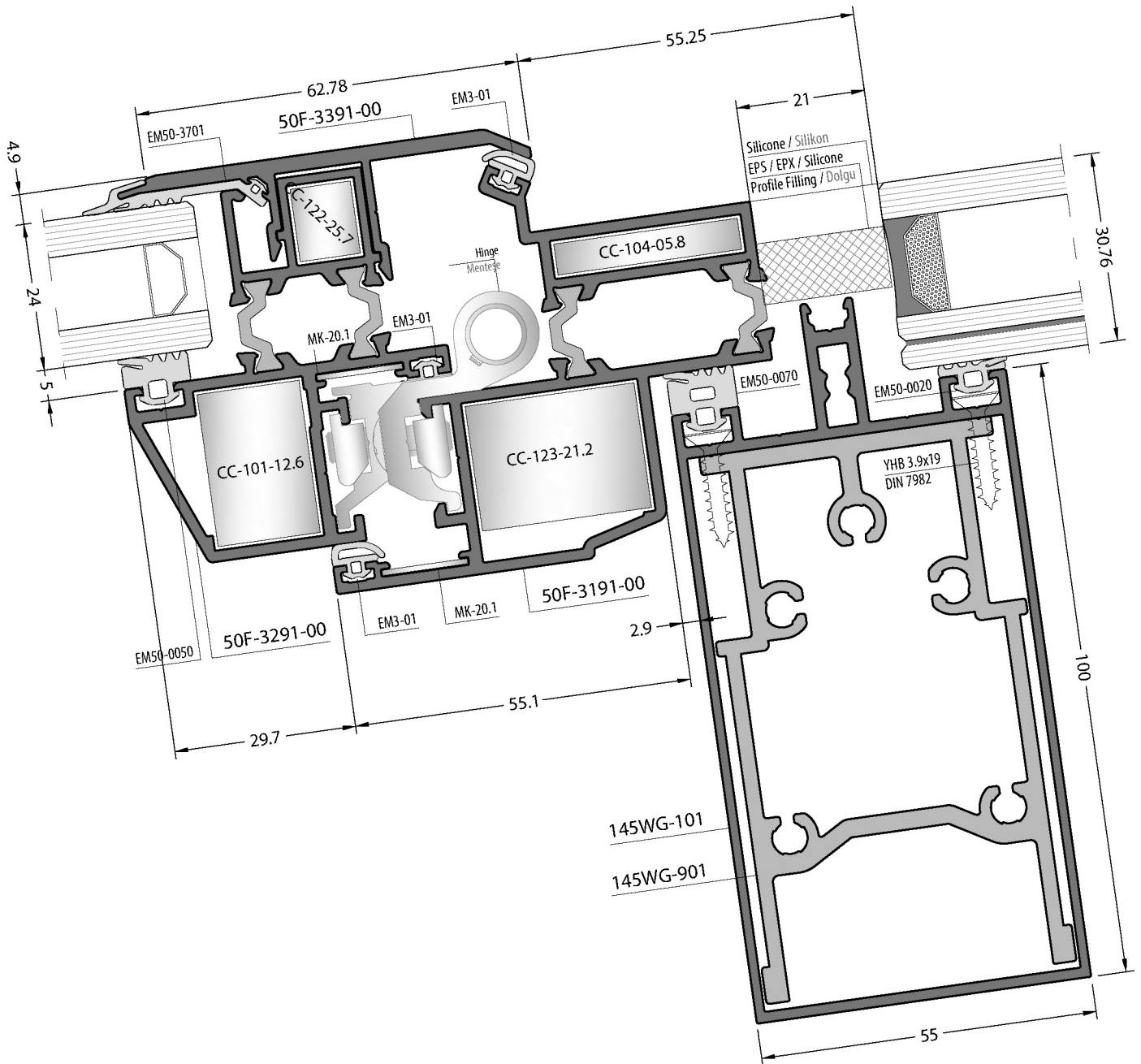
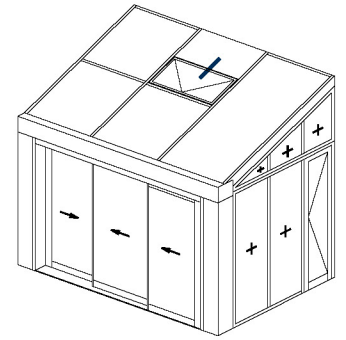




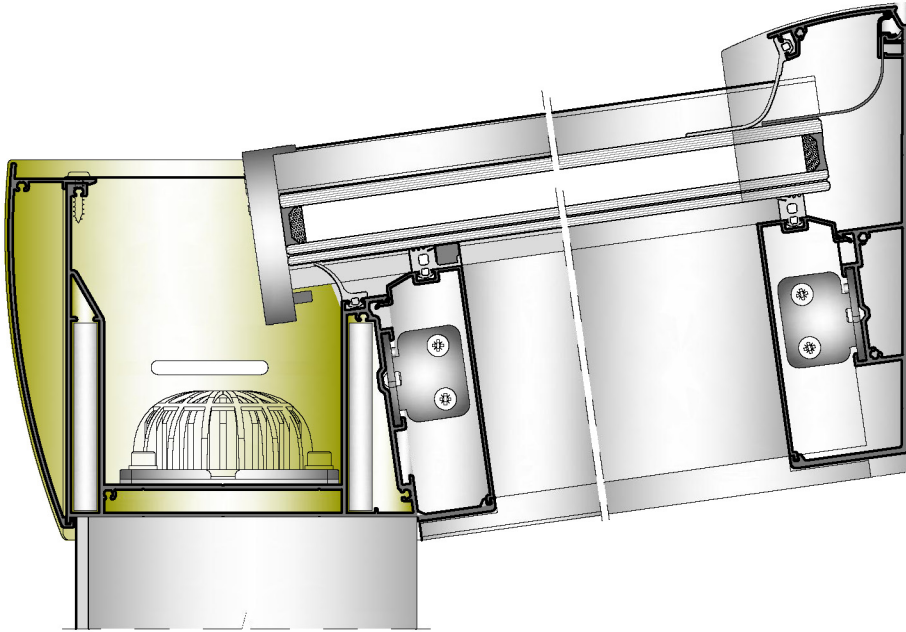


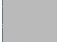




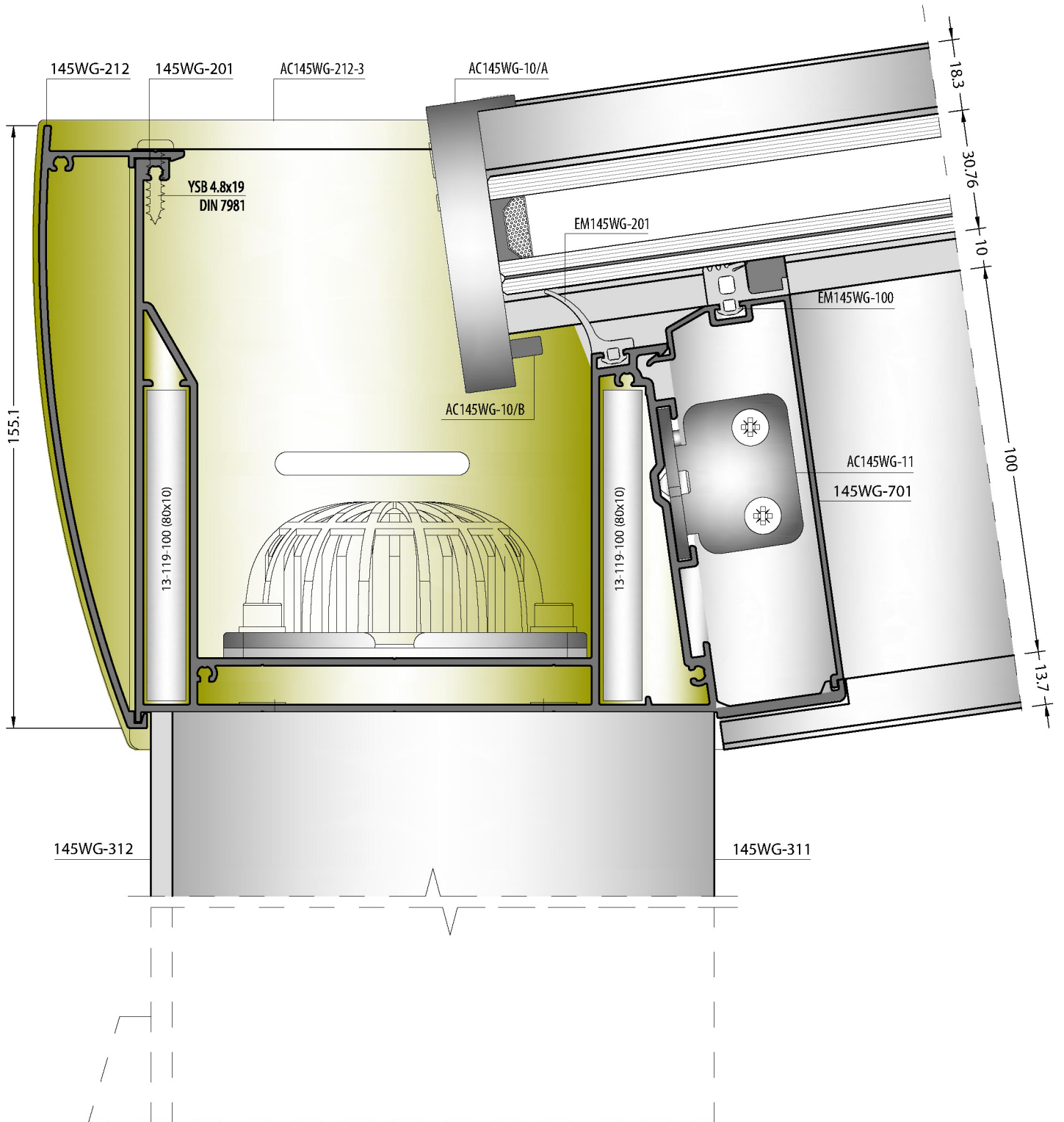
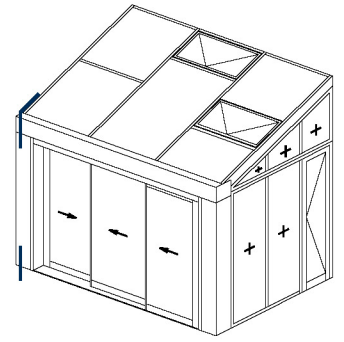


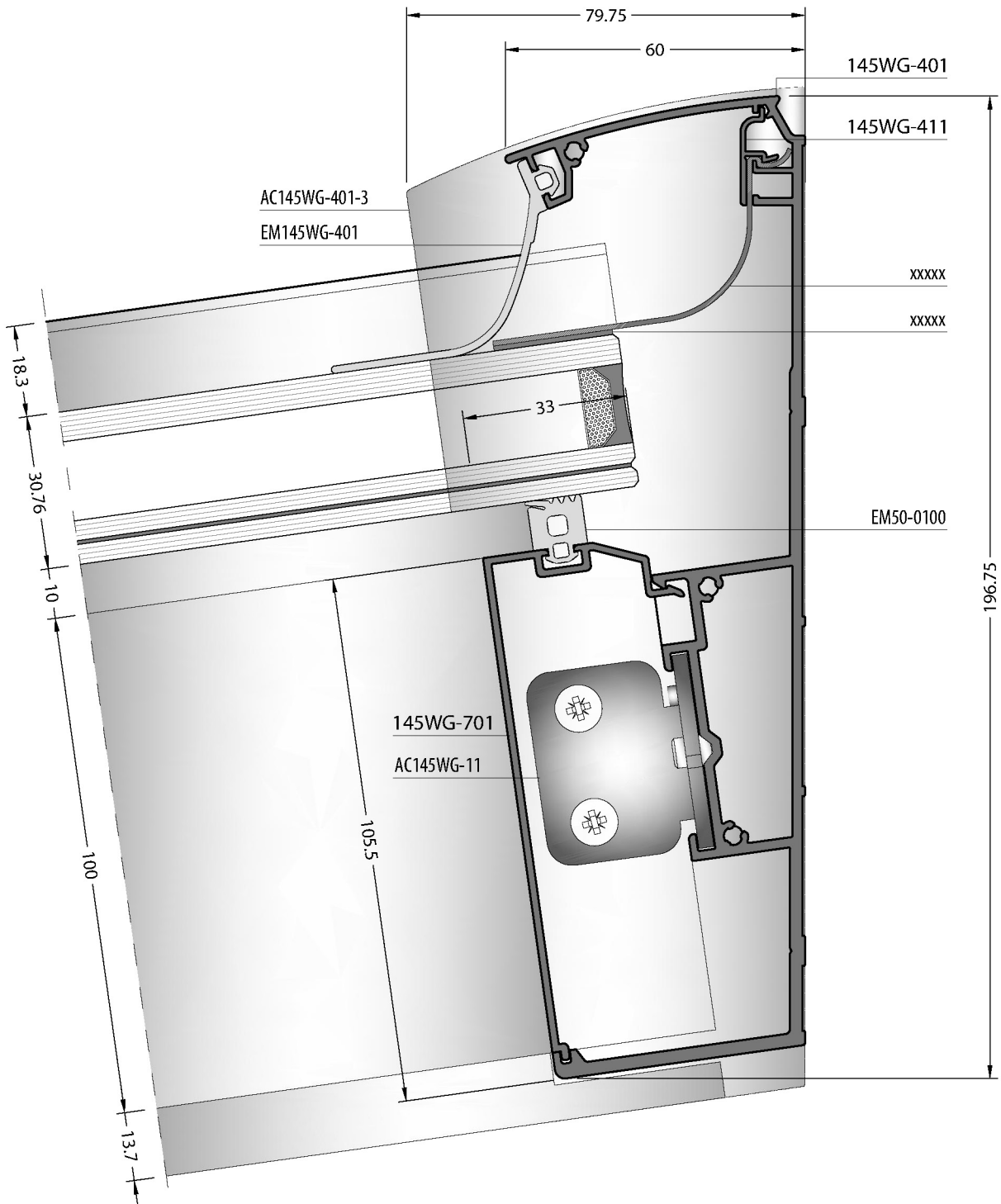
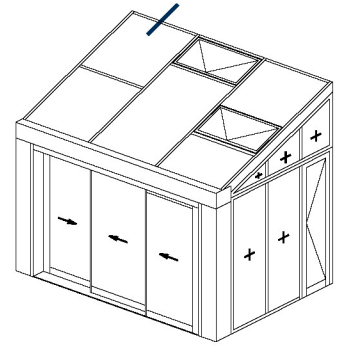


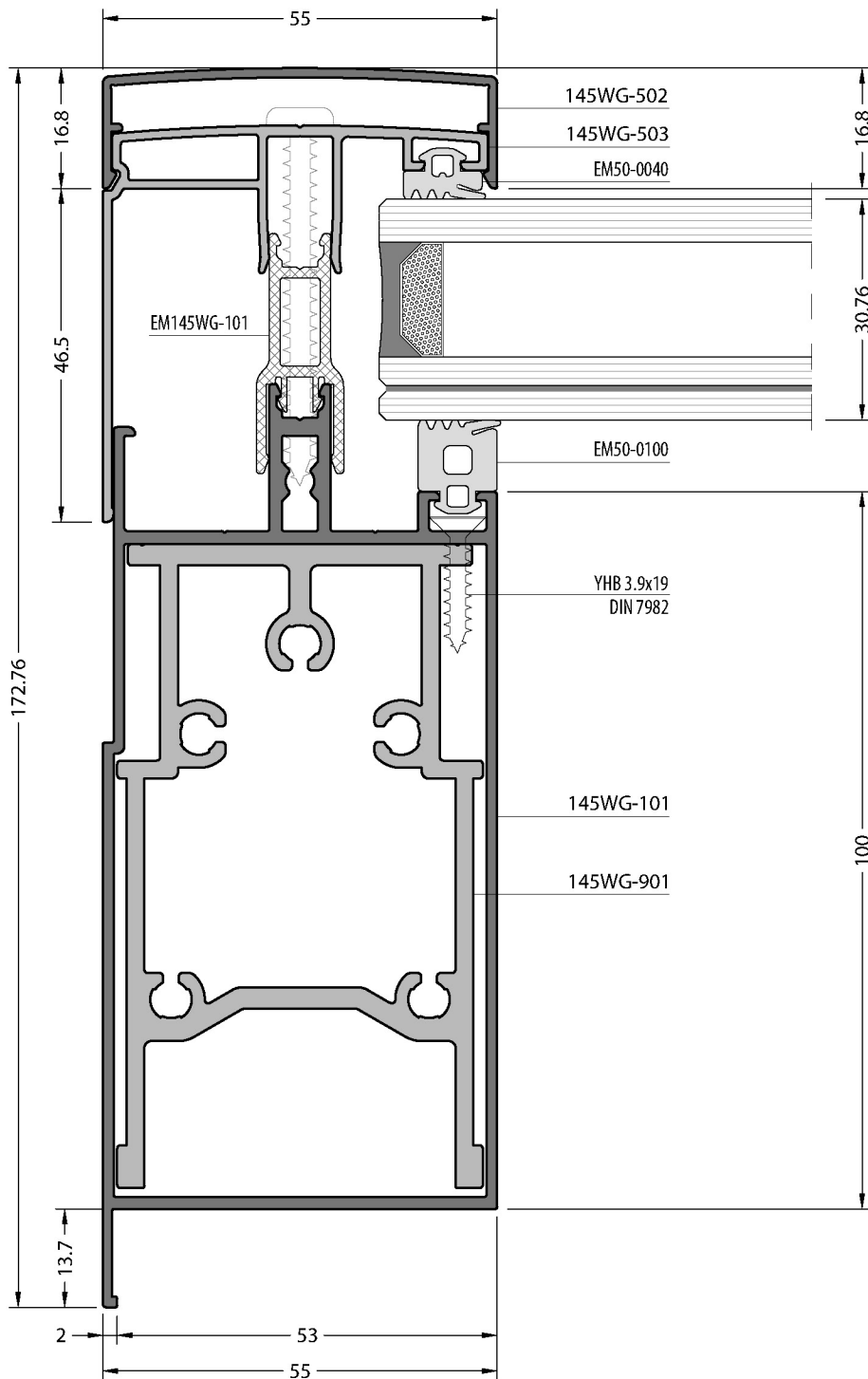
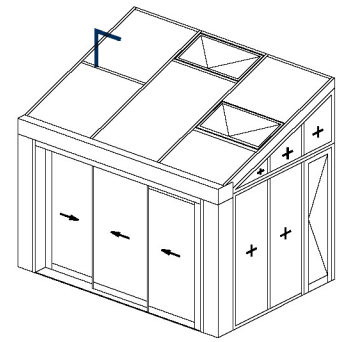
PLUS

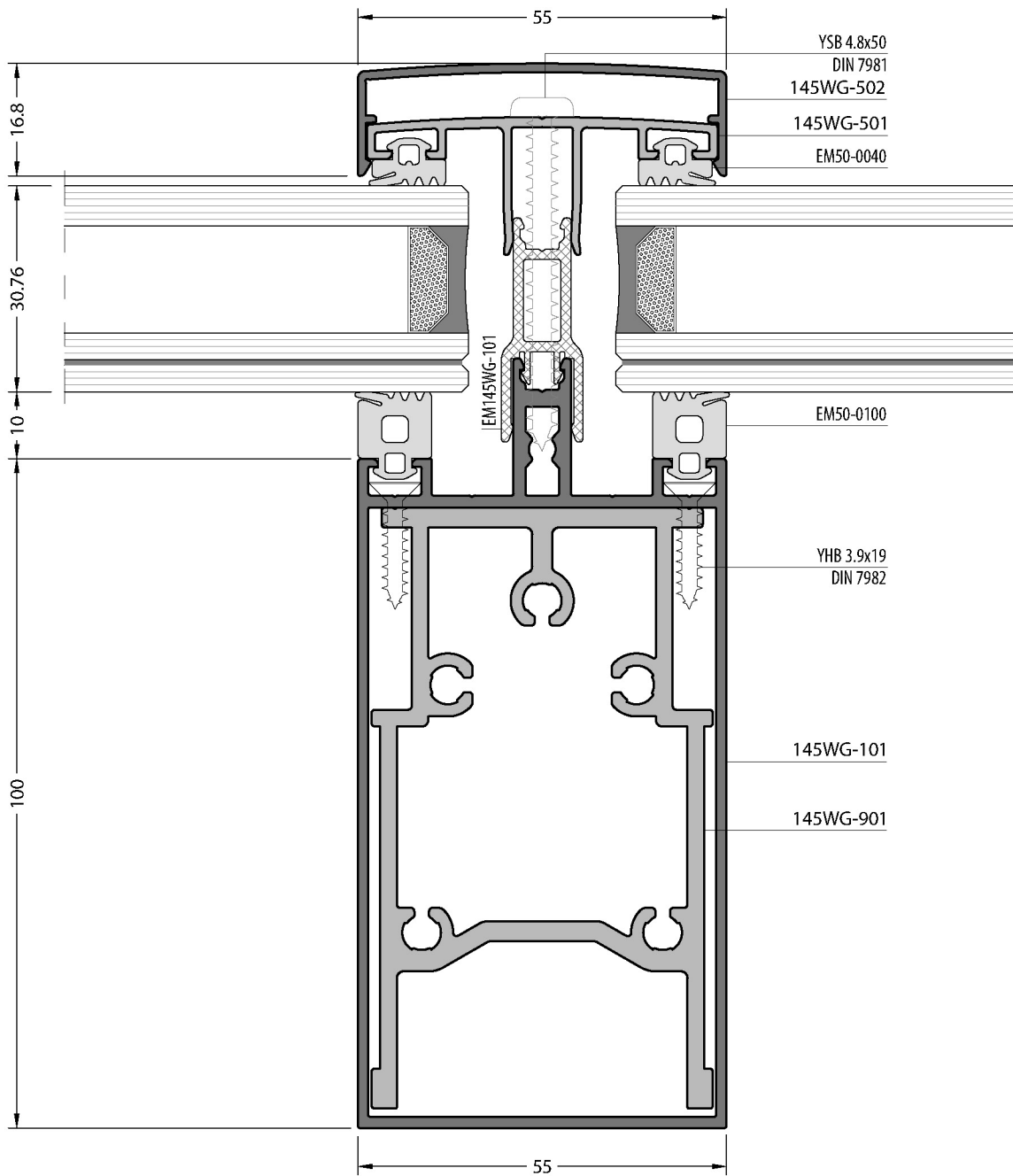
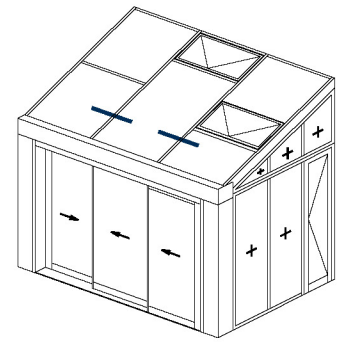


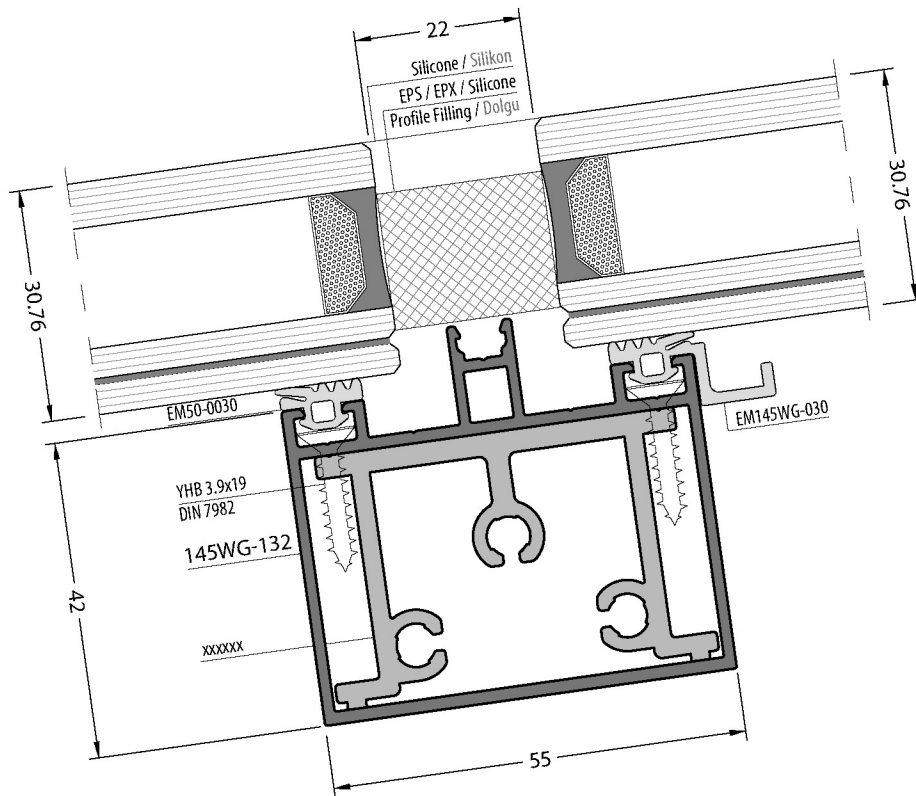
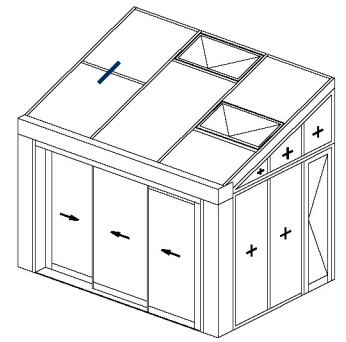
-  **FIXED ANGLE** | SABİT AÇI (8°)
-  **ADJUSTABLE ANGLE** | AYARLANABİLİR AÇI (8° - 15°)
-  **CONDENSE WATER DRAINAGE** | YOĞUŞMA SUYU TAHLİYESİ

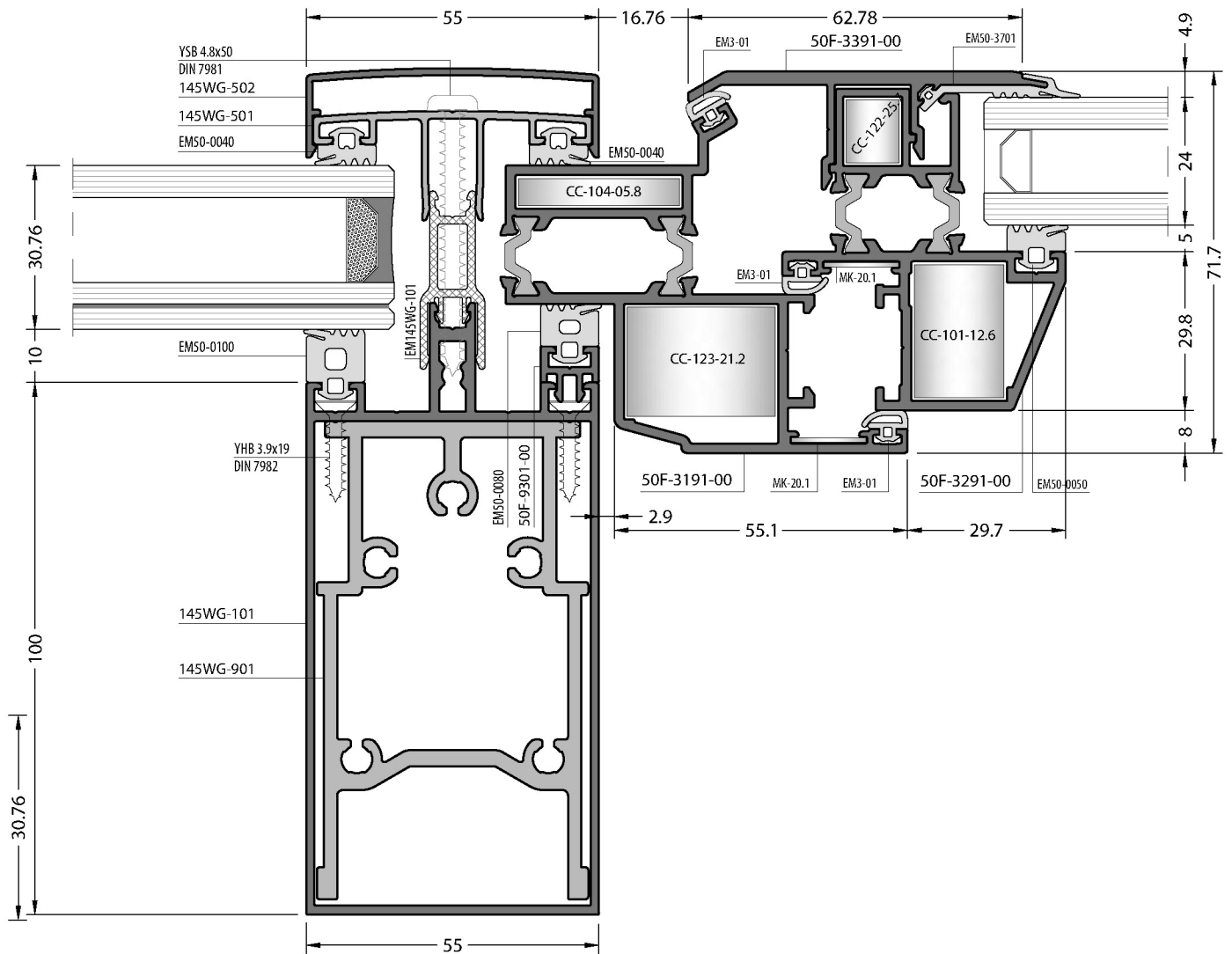
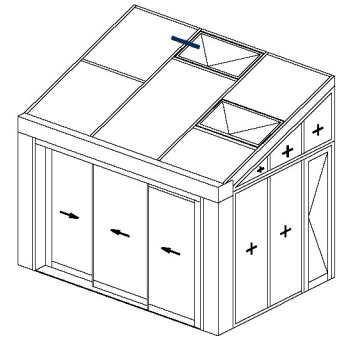


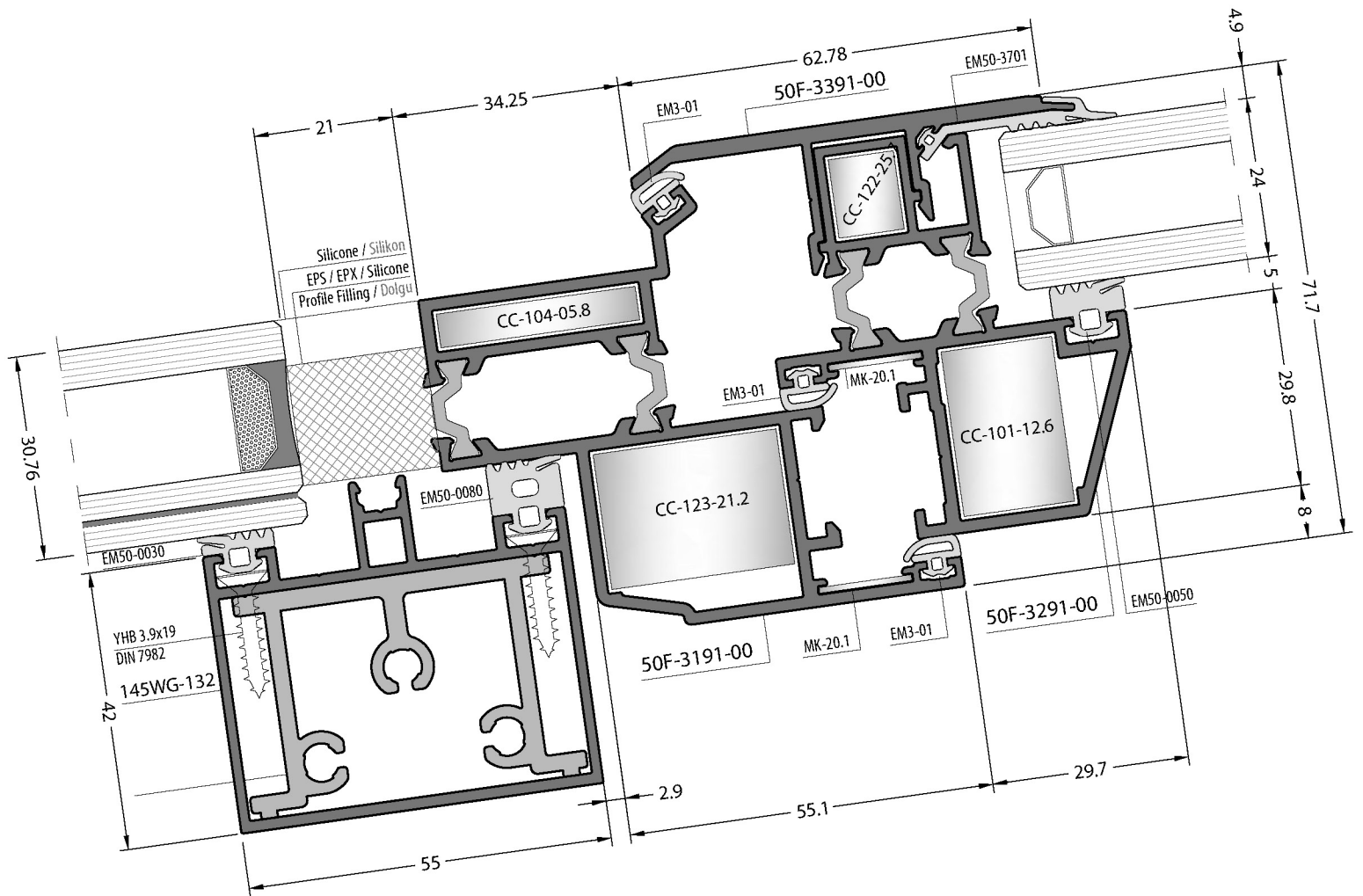
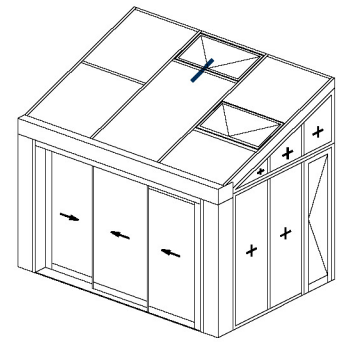


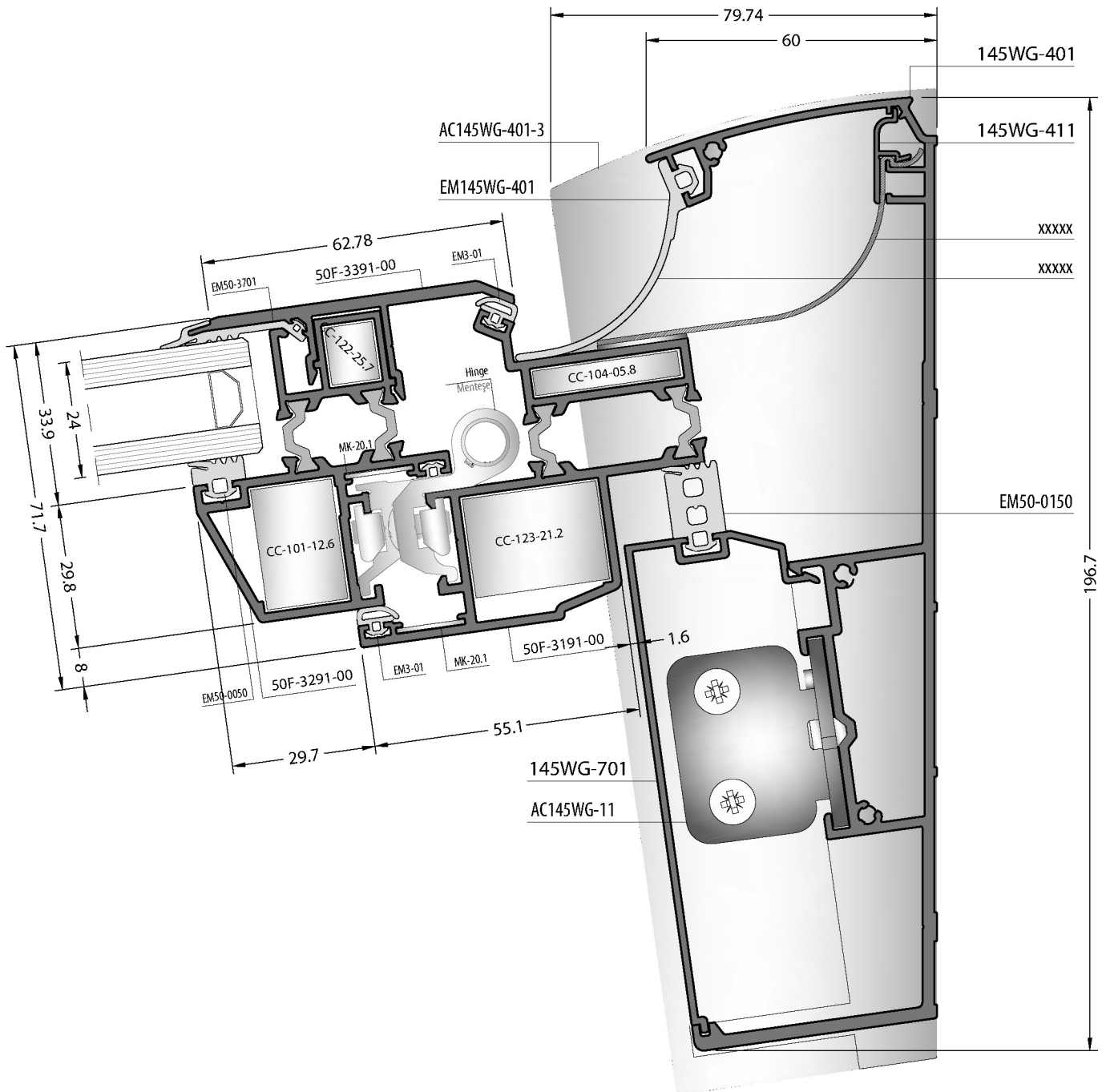
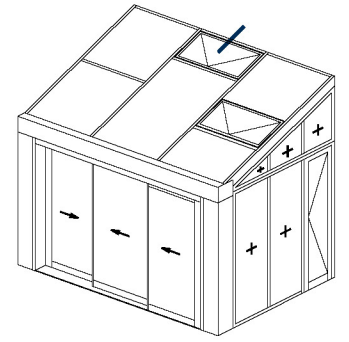




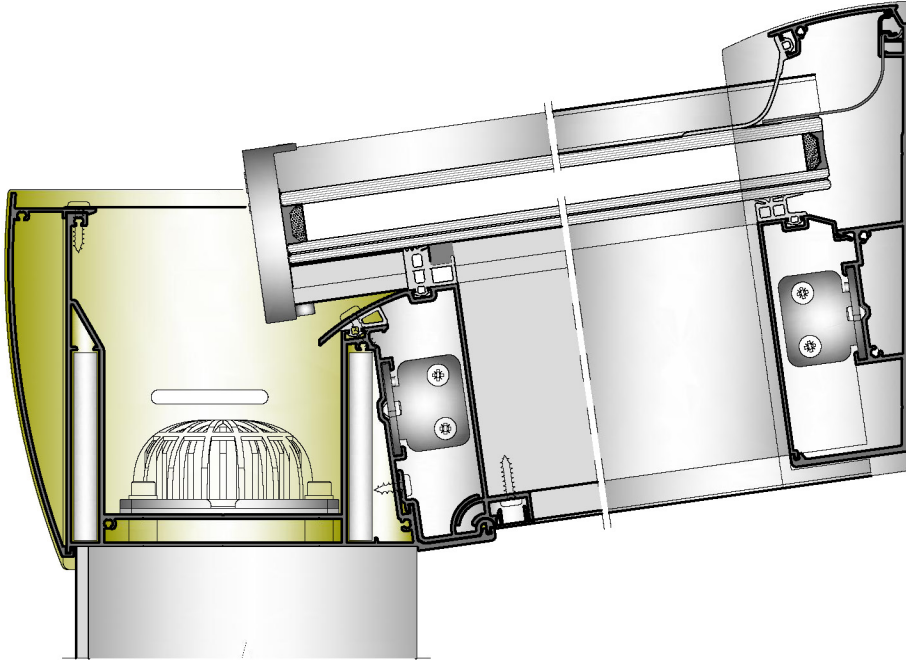






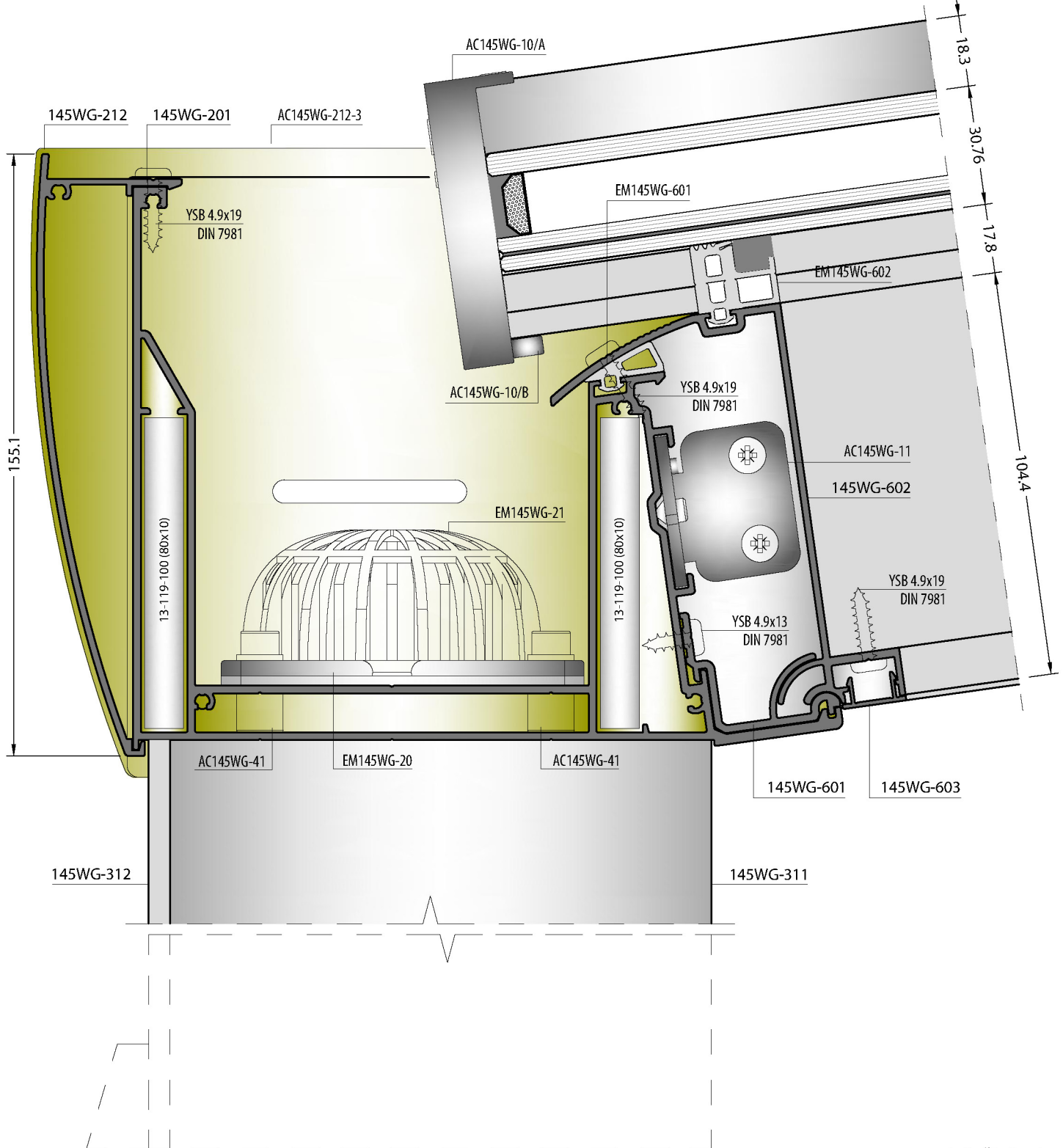
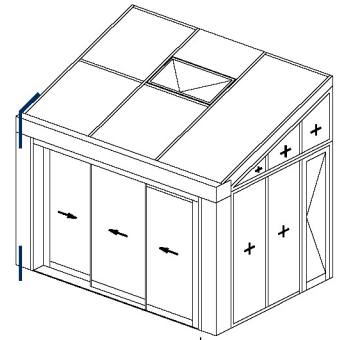


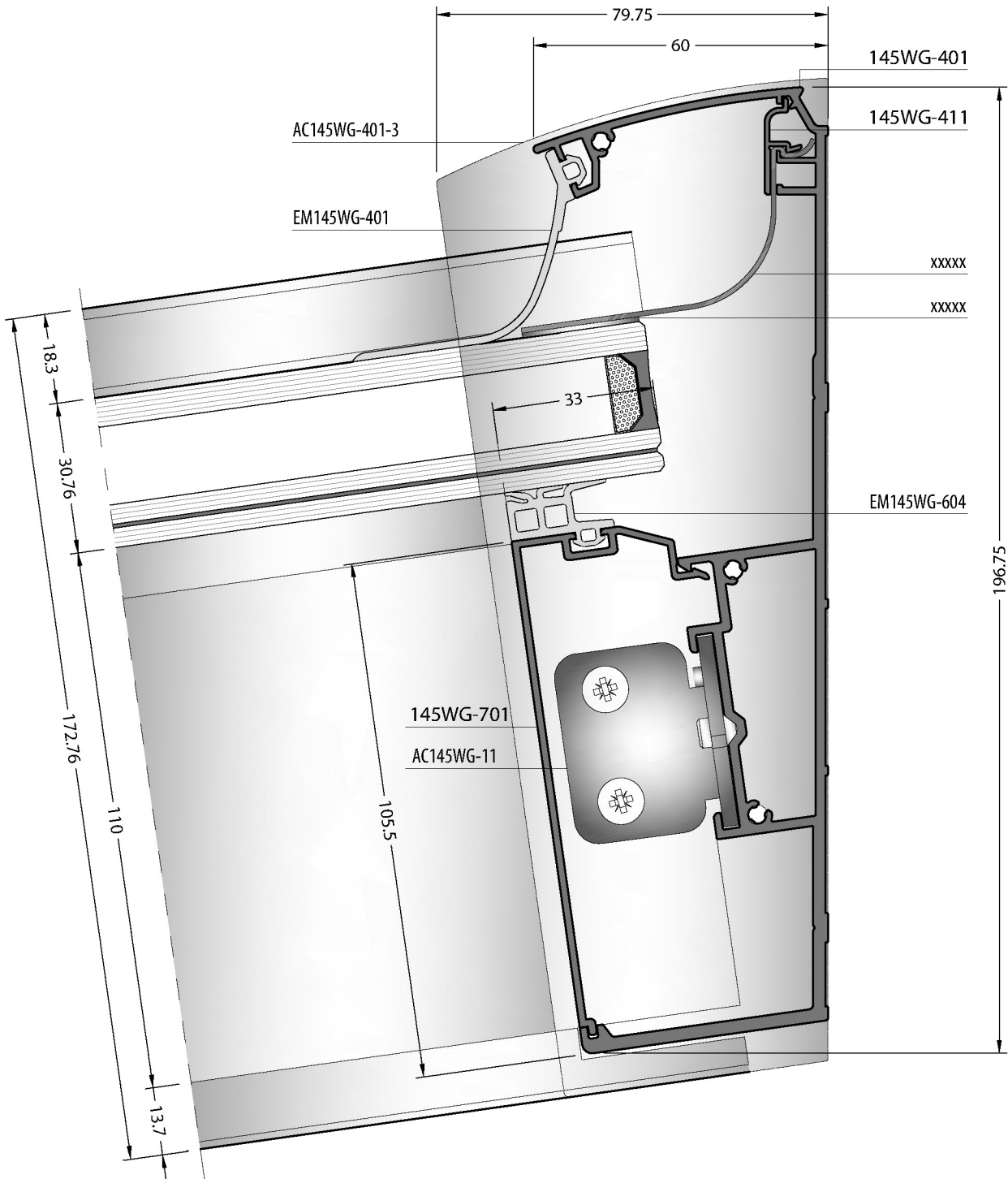
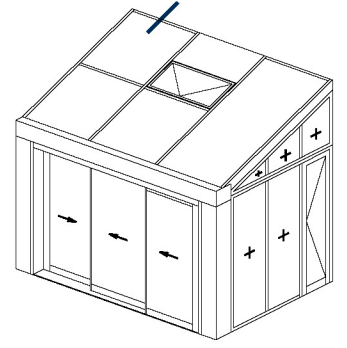


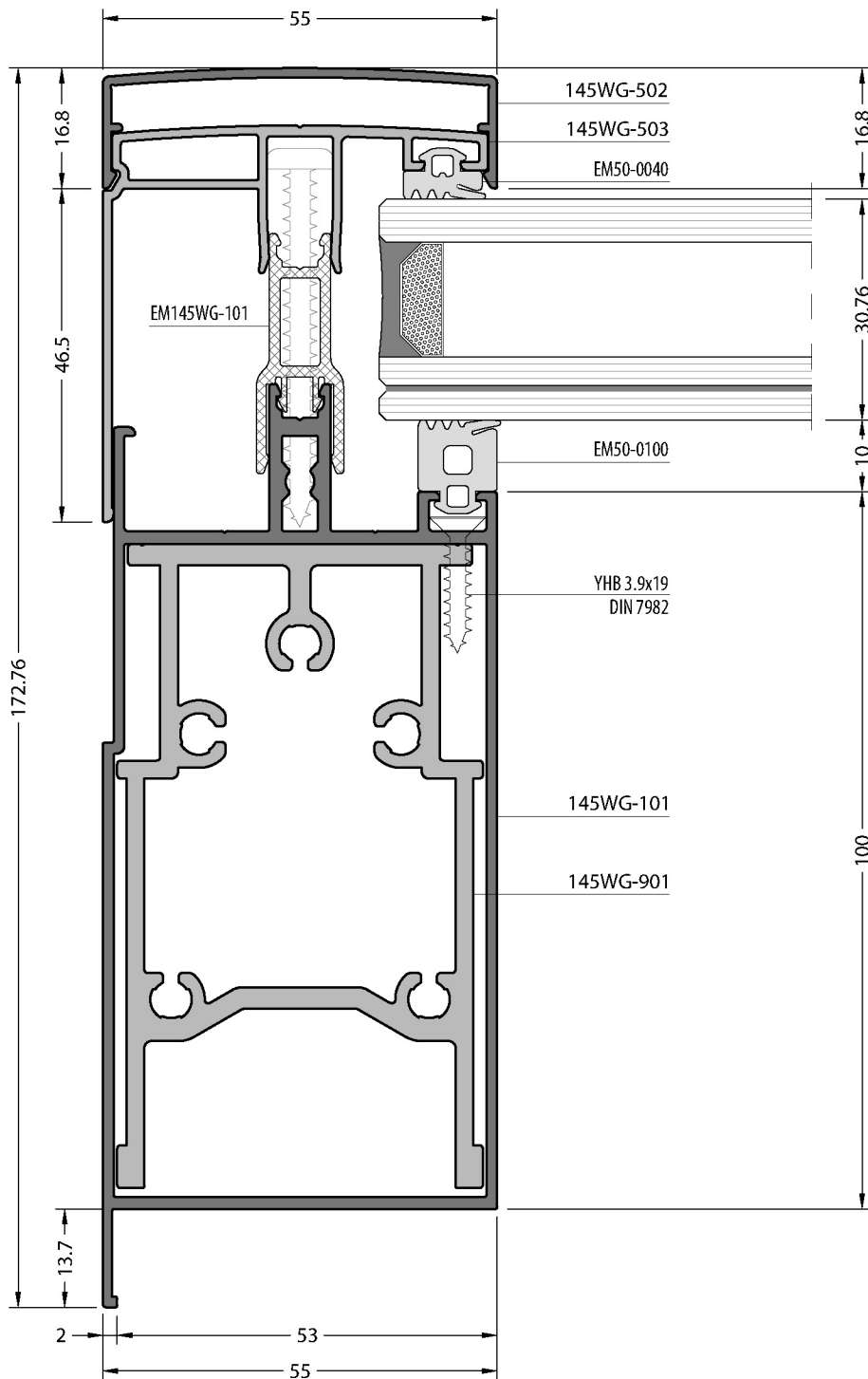
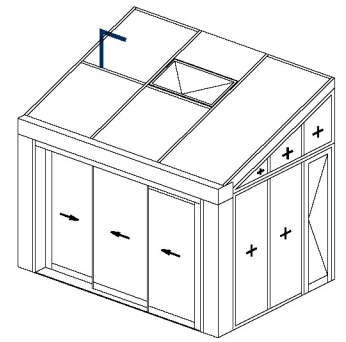
PLUS ANG

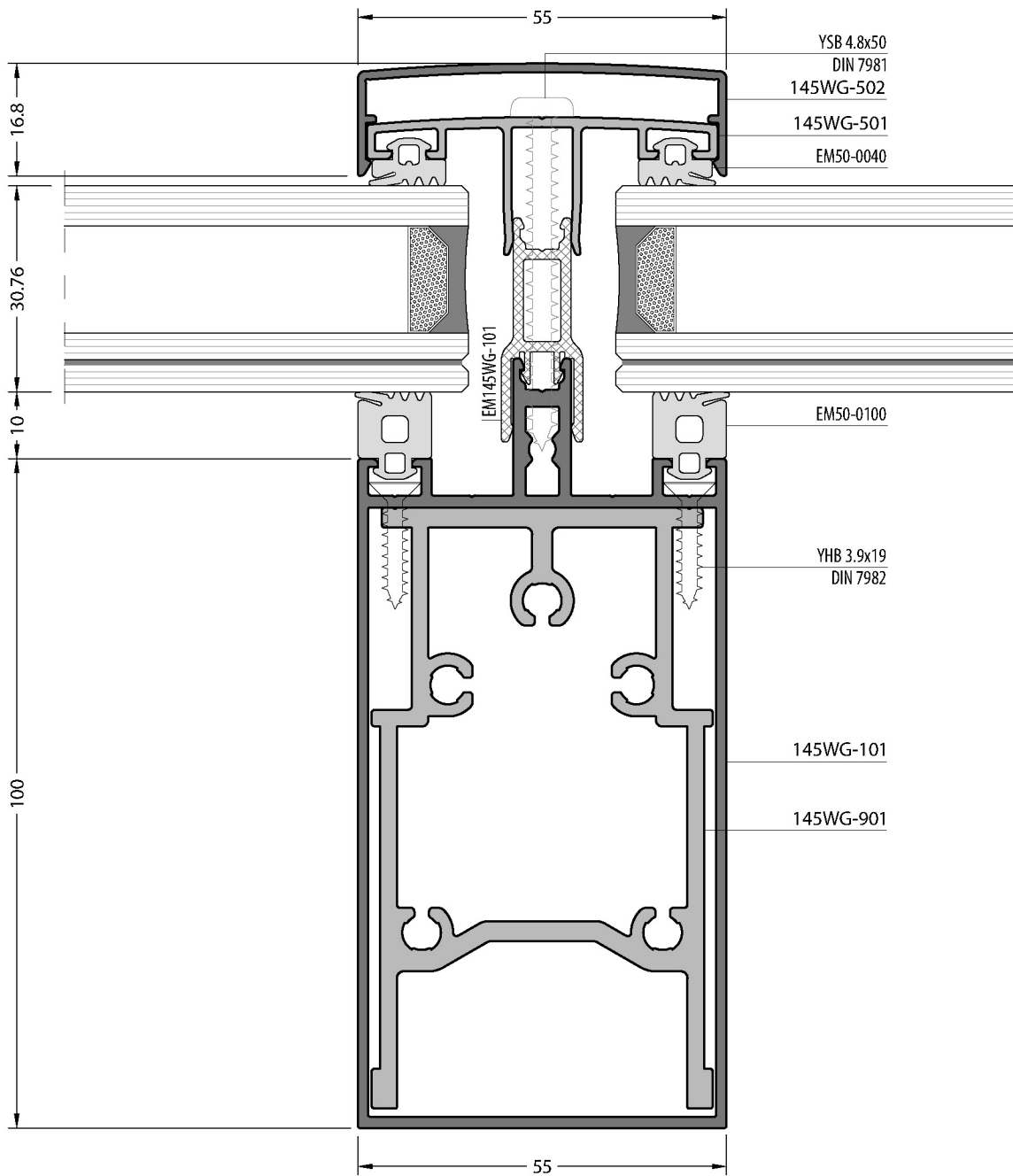
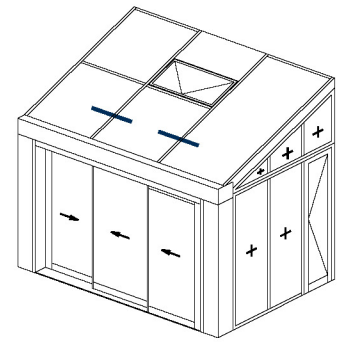


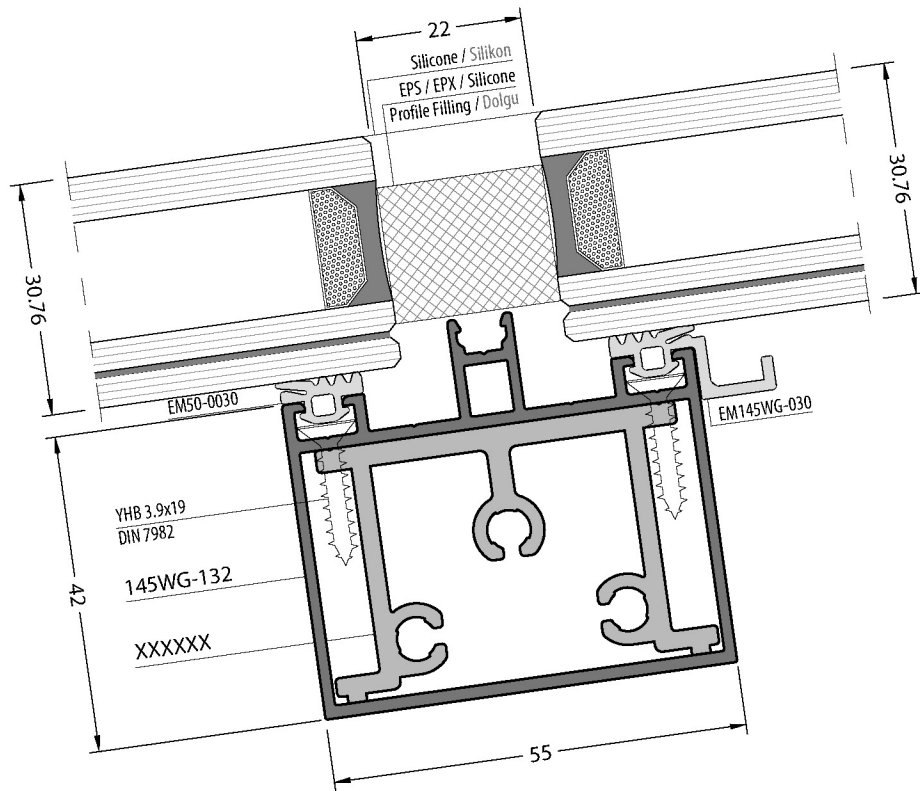
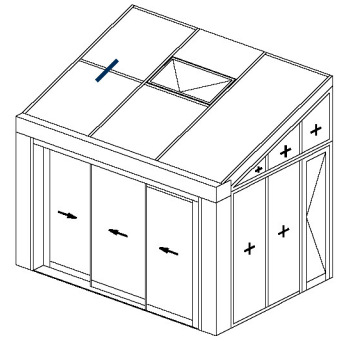
-  **FIXED ANGLE** | SABİT AÇI (8°)
-  **ADJUSTABLE ANGLE** | AYARLANABİLİR AÇI (8° - 15°)
-  **CONDENSE WATER DRAINAIGE** | YOĞUŞMA SUYU TAHLİYESİ

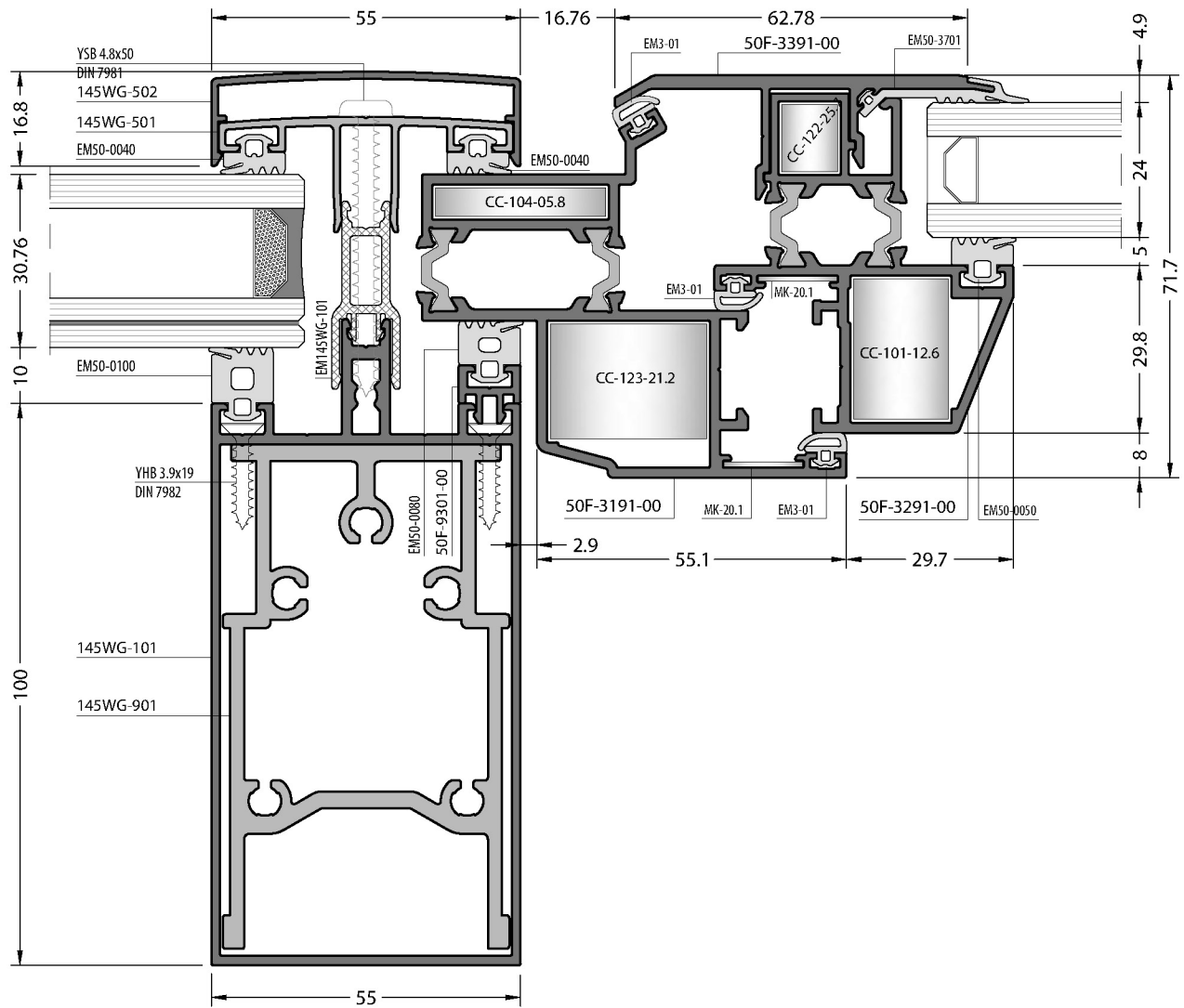
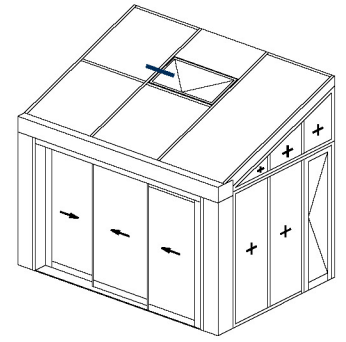


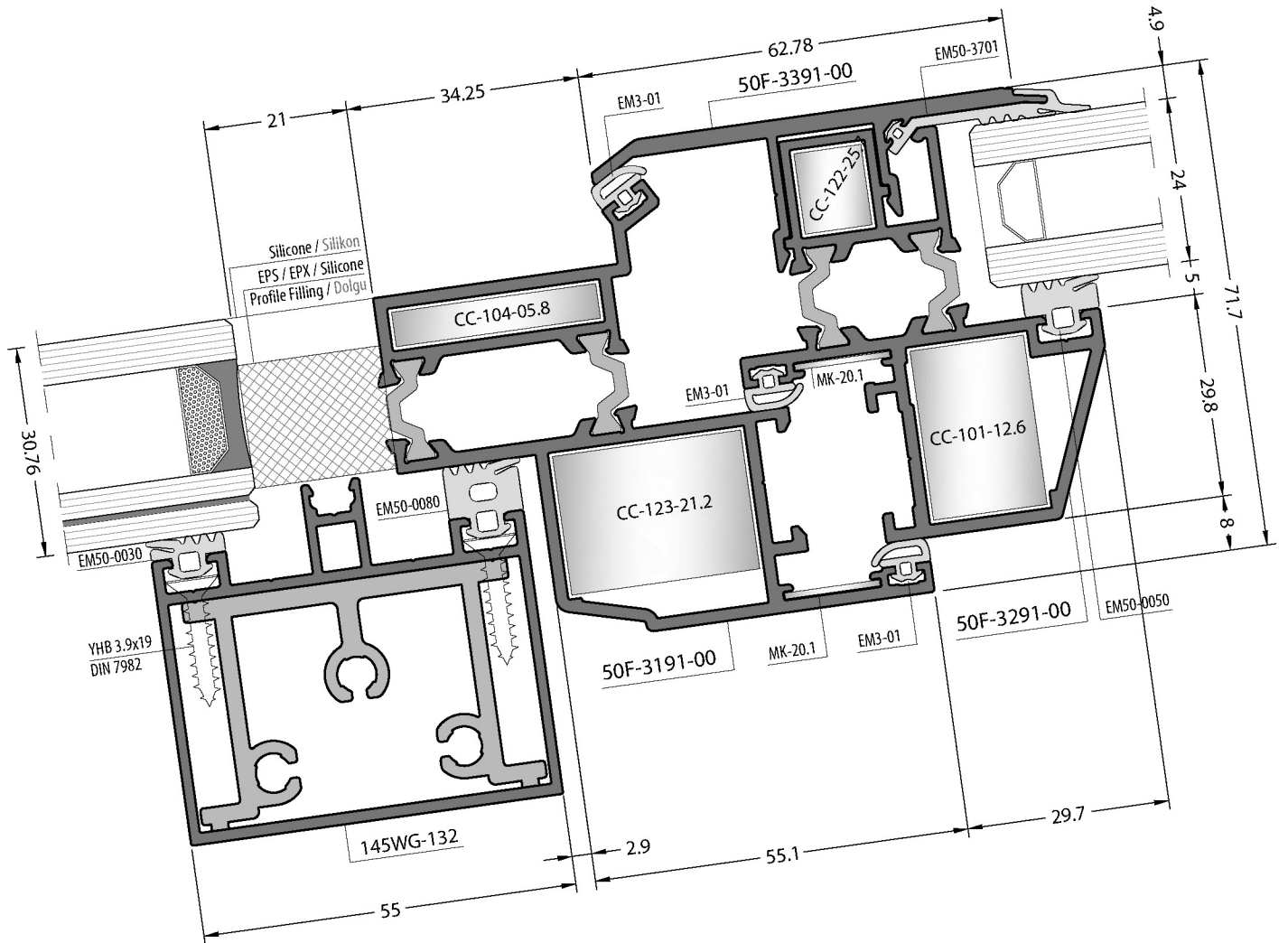
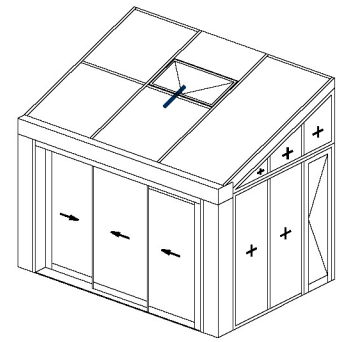


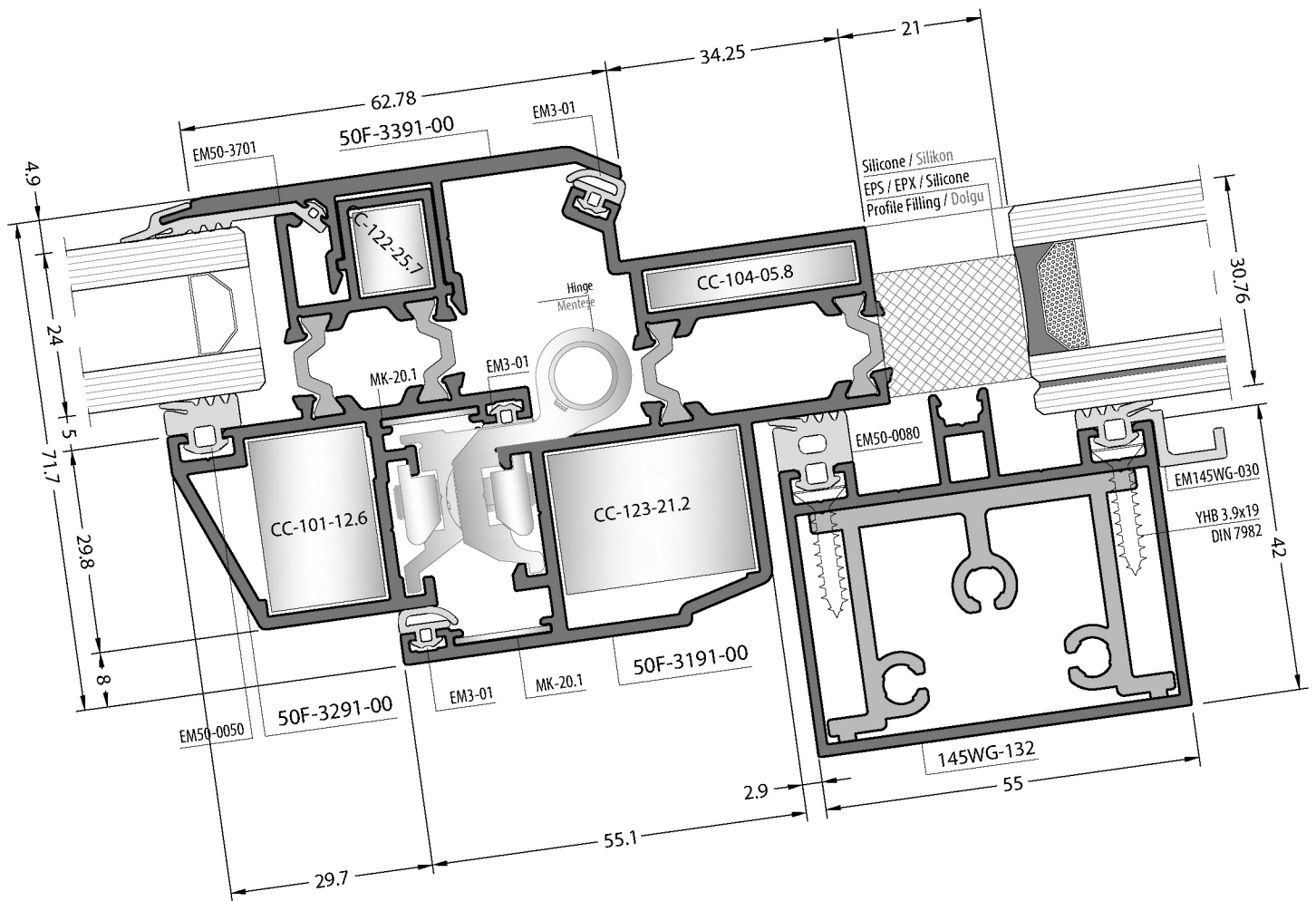
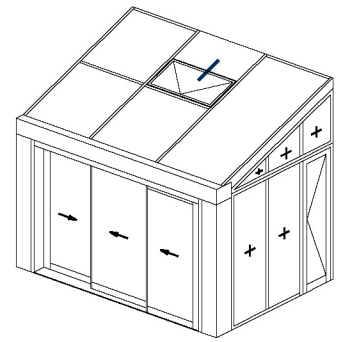








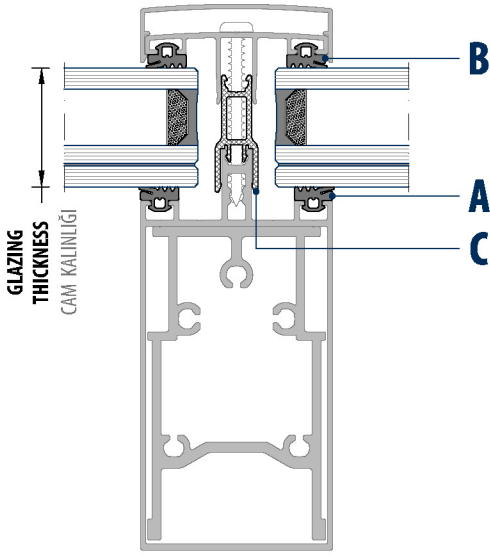




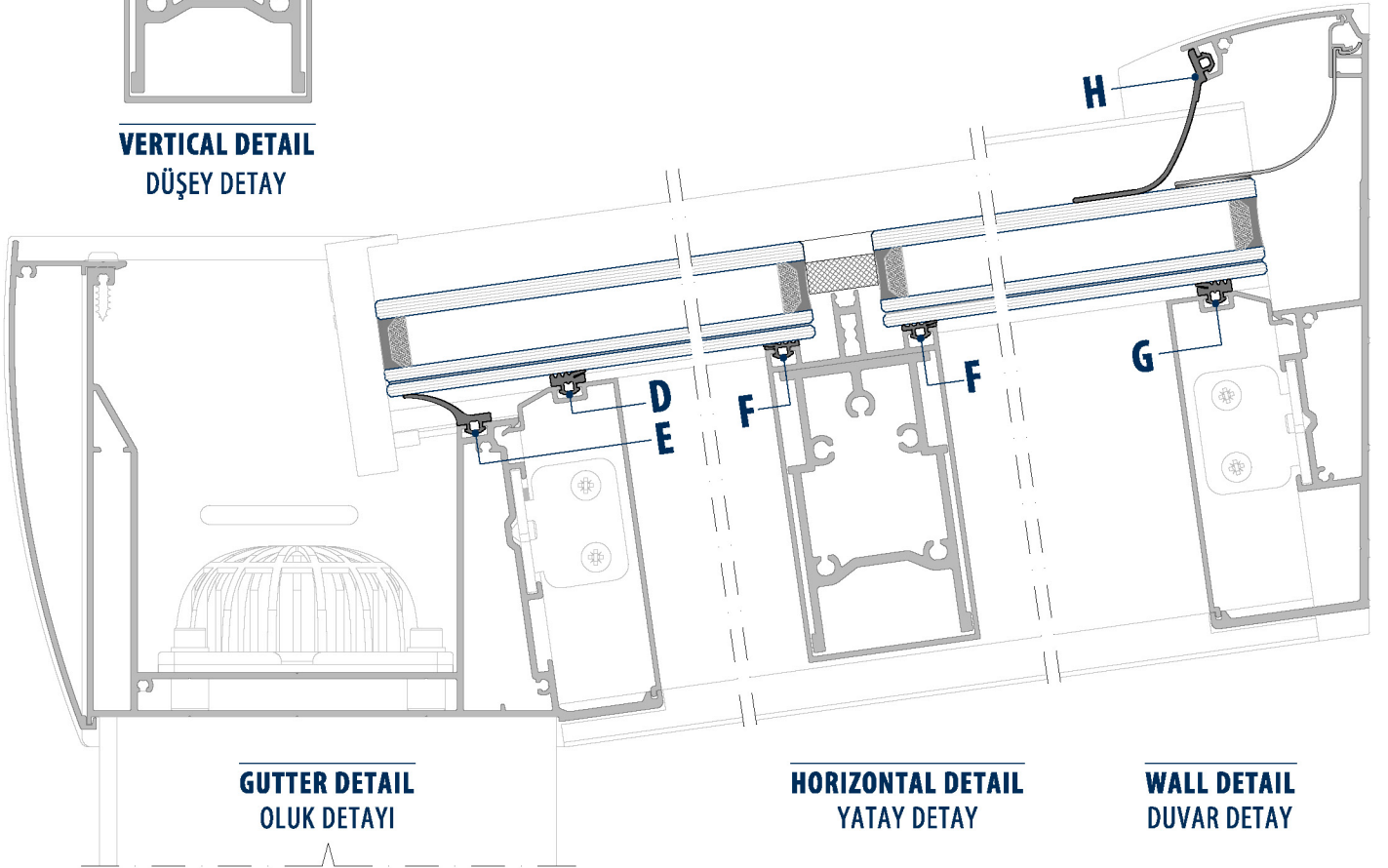
GLAZING TABLE/ CAM TABLOSU

STANDARD

GASKET COMBINATIONS FOR FIXED SECTIONS
SABİT BÖLÜMLER İÇİN FİTİL KOMBİNASYONLARI



VERTICAL DETAIL
DÜŞEY DETAY

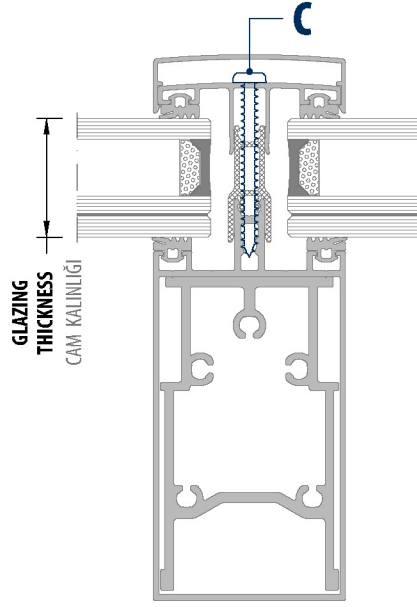


GUTTER DETAIL
OLUK DETAYI

HORIZONTAL DETAIL
YATAY DETAY

WALL DETAIL
DUVAR DETAY

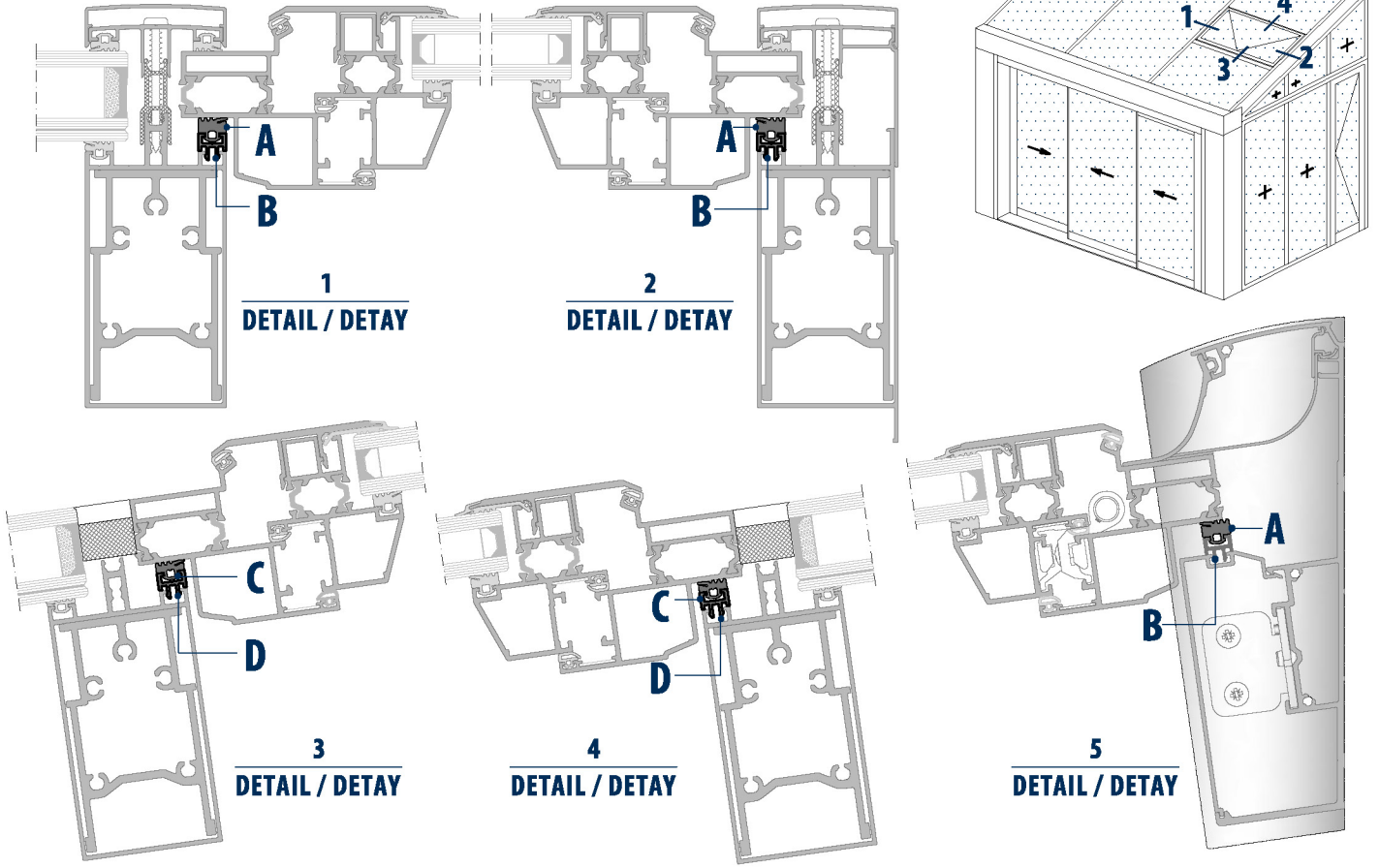
GLAZING THICKNESS CAM KALINLIĞI	VERTICAL DETAIL DÜŞEY DETAY			GUTTER DETAIL OLUK DETAYI		HORIZONTAL DETAIL YATAY DETAY	WALL DETAIL DUVAR DETAY	
	A	B	C	D	E	F	G	H
	VERTICAL GASKET DÜŞEY FİTİL	CAP GASKET KAPAK FİTİLİ	PVC	VERTICAL GASKET DÜŞEY FİTİL	CAP GASKET KAPAK FİTİLİ	HORIZONTAL DETAIL YATAY DETAY	VERTICAL GASKET DÜŞEY FİTİL	
6 - 19 mm	EM50-0040	EM50-0040	-	EM50-0040	EM145WG-201	EM50-0020	EM50-0040	EM145WG-401
24 - 40 mm			EM145WG-101					

SCREW TABLE / VIDA TABLOSU

**VERTICAL DETAIL
DÜŞEY DETAY**

GLAZING THICKNESS CAM KALINLIĞI	SCREW / VIDA	HOLES / DELİKLER	GLAZING THICKNESS CAM KALINLIĞI	SCREW / VIDA	HOLES / DELİKLER		
6 mm	YSB 4.8x22 DIN7981	PRESSURE CAP BASKI KAPAĞI Ø5	24 mm	YSB 4.8x32 DIN7981	PRESSURE CAP BASKI KAPAĞI Ø5		
7 mm			25 mm				
8 mm			26 mm				
9 mm			27 mm				
10 mm			28 mm				
11 mm	YSB 4.8x25 DIN7981	PVC PROFILE PROFİL Ø5	29 mm	YSB 4.8x45 DIN7981	PVC PROFILE PROFİL Ø5		
12 mm			30 mm				
13 mm			31 mm				
14 mm	YSB 4.8x32 DIN7981	VERTICAL PROFILE DÜŞEY PROFİL Ø4	32 mm			YSB 4.8x50 DIN7981	VERTICAL PROFILE DÜŞEY PROFİL Ø4
15 mm			33 mm				
16 mm			34 mm				
17 mm			35 mm				
18 mm			36 mm				
19 mm			37 mm				
			38 mm				
	39 mm						
	40 mm	YSB 4.8x60 - DIN7981					

STANDARD

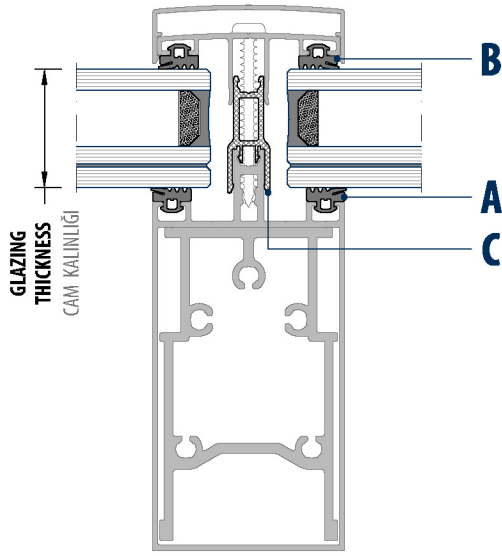
GASKET COMBINATIONS FOR OPENING SECTION AREA
AÇILIR BÖLÜM ALANI İÇİN FITİL KOMBİNASYONLARI



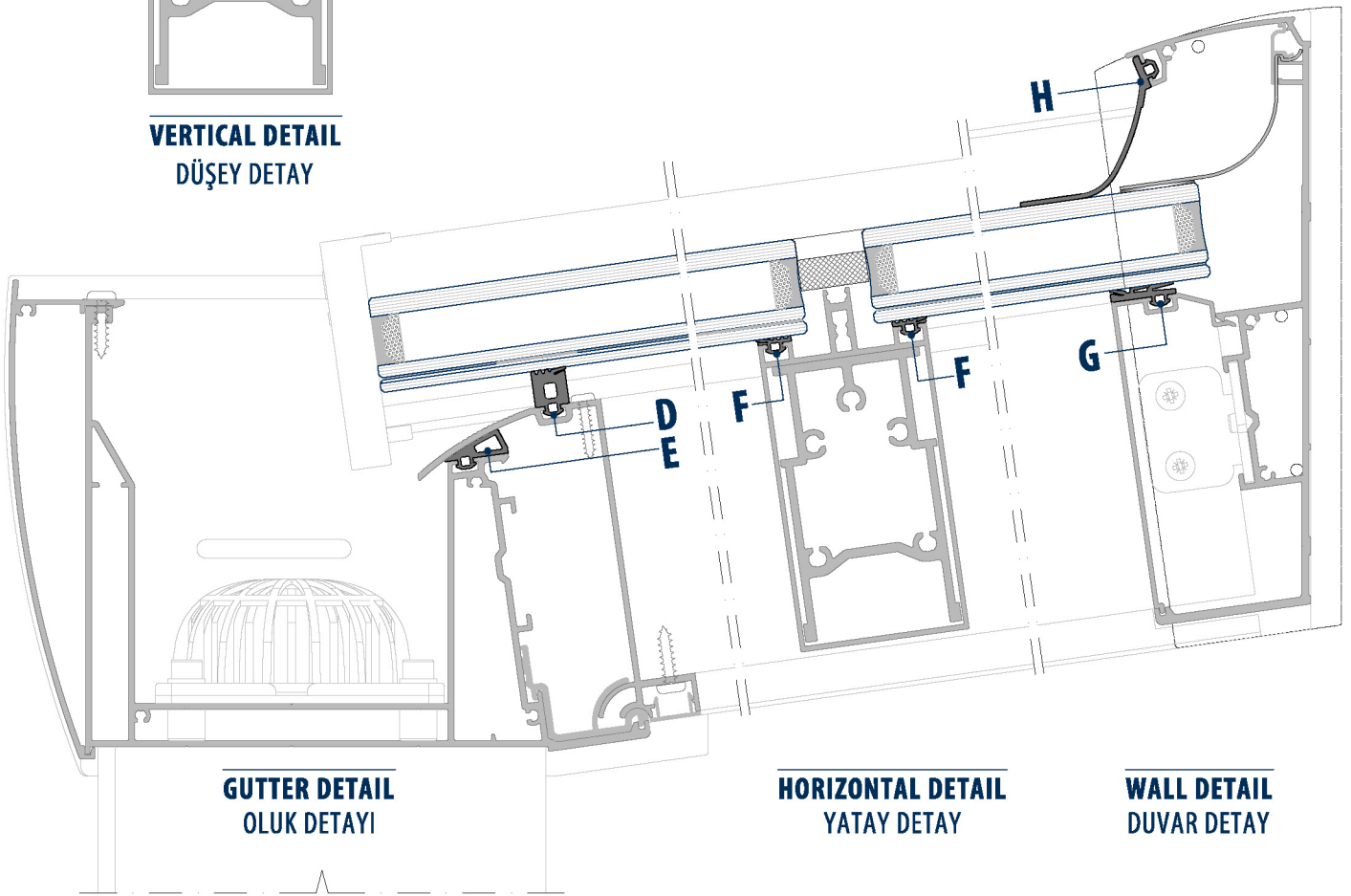
GLAZING THICKNESS CAM KALINLIĞI	VERTICAL & WALL DETAIL / DÜŞEY & DUVAR DETAYI		HORIZONTAL DETAIL / YATAY DETAYI	
	A VERTICAL & WALL GASKET DÜŞEY & DUVAR FITİLİ	B ADAPTER PROFILE ADAPTÖR PROFİLİ	C HORIZONTAL GASKET YATAY FITİL	D ADAPTER PROFILE ADAPTÖR PROFİLİ
26 mm	EM50-0040	50F-9301-00	EM50-0020	50F-9301-00
27 mm	EM50-0050		EM50-0030	
28 mm	EM50-0060		EM50-0040	
29 mm	EM50-0070		EM50-0050	
30 mm	EM50-0080		EM50-0060	
31 mm	EM50-0090		EM50-0070	
32 mm	EM50-0100		EM50-0080	
33 mm	EM50-0040		EM50-0090	
34 mm	EM50-0050		EM50-0100	
35 mm	EM50-0060		EM50-0040	
36 mm	EM50-0070		EM50-0050	
37 mm	EM50-0080		EM50-0060	
38 mm	EM50-0090		EM50-0070	
39 mm	EM50-0100		EM50-0080	
40 mm	EM50-0110	EM50-0090		

STANDARD ANG

GASKET COMBINATIONS FOR FIXED SECTIONS
SABİT BÖLÜMLER İÇİN FİTİL KOMBİNASYONLARI



VERTICAL DETAIL
DÜŞEY DETAY

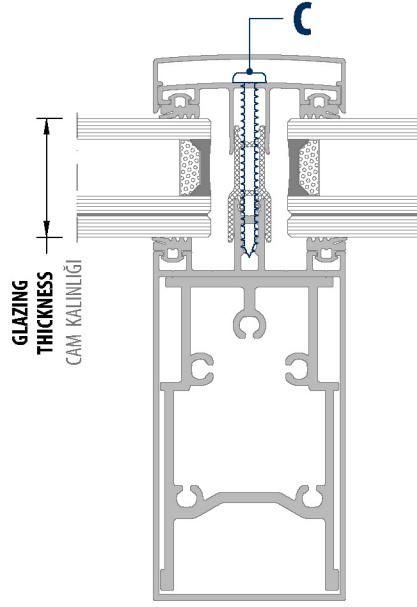


GUTTER DETAIL
OLUK DETAYI

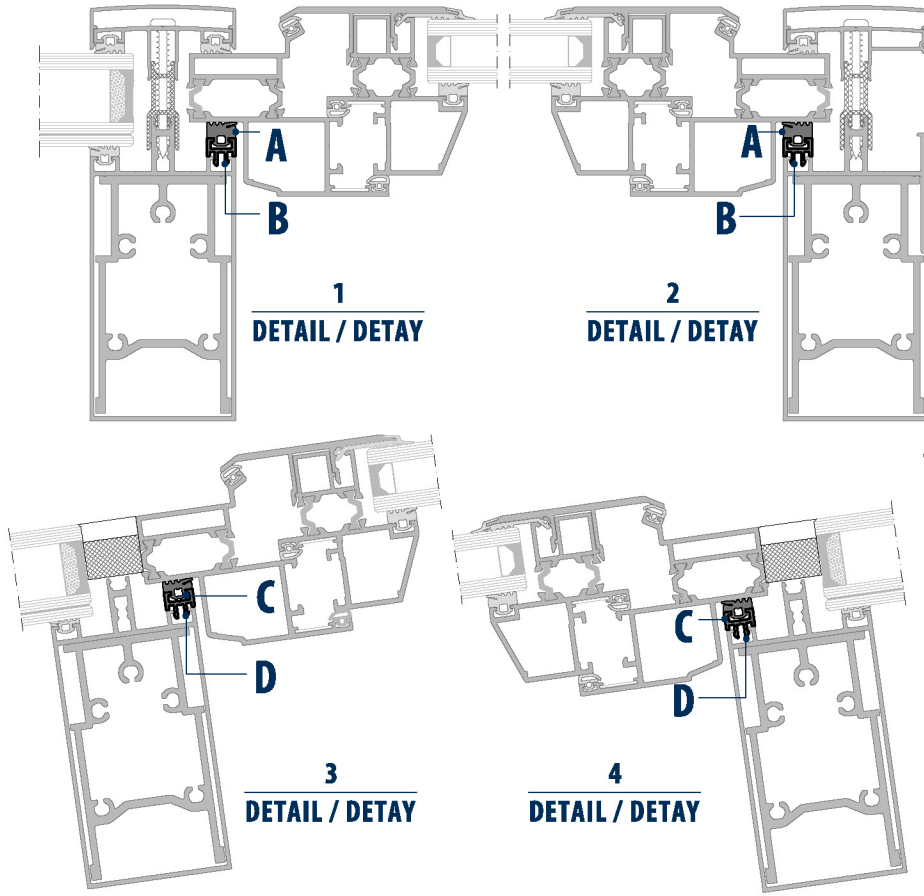
HORIZONTAL DETAIL
YATAY DETAY

WALL DETAIL
DUVAR DETAY

GLAZING THICKNESS CAM KALINLIĞI	VERTICAL DETAIL DÜŞEY DETAY			GUTTER DETAIL OLUK DETAYI		HORIZONTAL DETAIL YATAY DETAY	WALL DETAIL DUVAR DETAY	
	A	B	C	D	E	F	G	H
	VERTICAL GASKET DÜŞEY FİTİL	CAP GASKET KAPAK FİTİLİ	PVC	VERTICAL GASKET DÜŞEY FİTİL	CAP GASKET KAPAK FİTİLİ	HORIZONTAL DETAIL YATAY DETAY	VERTICAL GASKET DÜŞEY FİTİL	
6 - 19 mm	EM50-0040	EM50-0040	-	EM50-0120	EM145WG-601	EM50-0020	EM145WG-603	EM145WG-401
24 - 40 mm			EM145WG-101					

SCREW TABLE / VİDA TABLOSU

**VERTICAL DETAIL
DÜŞEY DETAY**

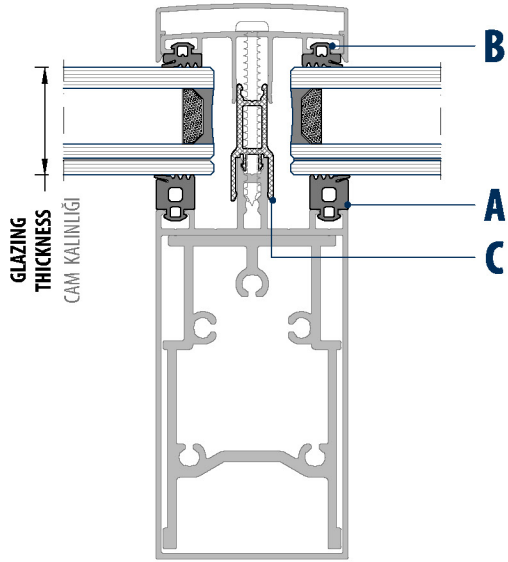
GLAZING THICKNESS CAM KALINLIĞI	SCREW / VİDA	HOLES / DELİKLER	GLAZING THICKNESS CAM KALINLIĞI	SCREW / VİDA	HOLES / DELİKLER		
6 mm	YSB 4.8x22 DIN7981	PRESSURE CAP BASKI KAPAĞI Ø5	24 mm	YSB 4.8x32 DIN7981	PRESSURE CAP BASKI KAPAĞI Ø5		
7 mm			25 mm				
8 mm			26 mm				
9 mm			27 mm				
10 mm			28 mm				
11 mm	YSB 4.8x25 DIN7981	PVC PROFILE PROFİL Ø5	29 mm	YSB 4.8x45 DIN7981	PVC PROFILE PROFİL Ø5		
12 mm			30 mm				
13 mm			31 mm				
14 mm	YSB 4.8x32 DIN7981	VERTICAL PROFILE DÜŞEY PROFİL Ø4	32 mm			YSB 4.8x50 DIN7981	VERTICAL PROFILE DÜŞEY PROFİL Ø4
15 mm			33 mm				
16 mm			34 mm				
17 mm			35 mm				
18 mm			36 mm				
19 mm			37 mm				
			38 mm				
	39 mm						
	40 mm		YSB 4.8x60 - DIN7981				

STANDARD ANG
**GASKET COMBINATIONS FOR OPENING SECTION
AÇILIR BÖLÜM İÇİN FITİL KOMBİNASYONLARI**


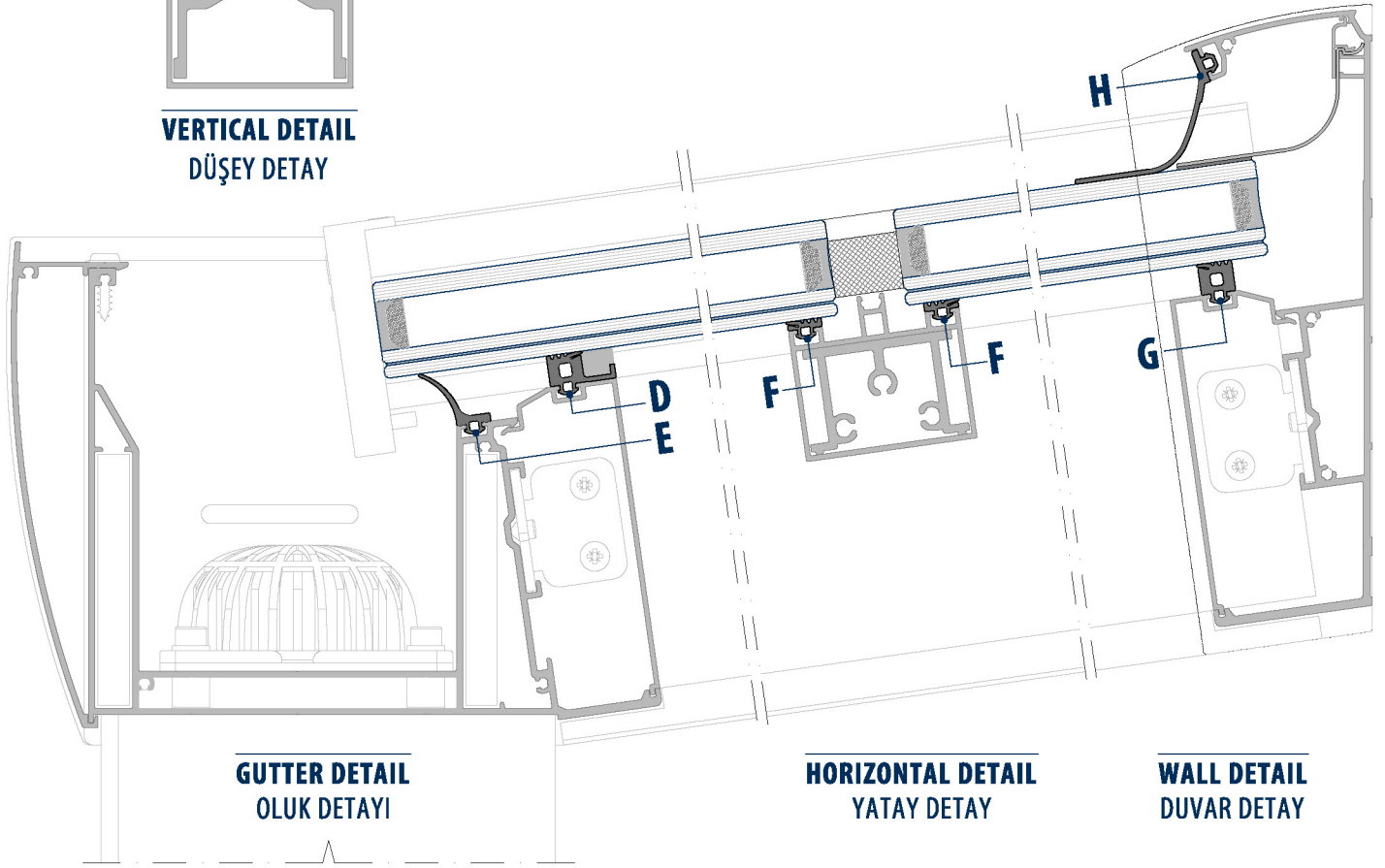
GLAZING THICKNESS CAM KALINLIĞI	VERTICALDETAIL / DÜŞEY DETAYI		HORIZONTAL DETAIL / YATAY DETAYI	
	A VERTICAL GASKET DÜŞEY FITİLİ	B ADAPTER PROFILE ADAPTÖR PROFİLİ	C HORIZONTAL GASKET YATAY FITİL	D ADAPTER PROFILE ADAPTÖR PROFİLİ
26 mm	EM50-0040		EM50-0020	
27 mm	EM50-0050		EM50-0030	
28 mm	EM50-0060		EM50-0040	
29 mm	EM50-0070		EM50-0050	
30 mm	EM50-0080		EM50-0060	
31 mm	EM50-0090		EM50-0070	
32 mm	EM50-0100		EM50-0080	
33 mm	EM50-0040		EM50-0090	
34 mm	EM50-0050		EM50-0100	
35 mm	EM50-0060		EM50-0040	
36 mm	EM50-0070	EM50-0050		
37 mm	EM50-0080	EM50-0060		
38 mm	EM50-0090	EM50-0070		
39 mm	EM50-0100	EM50-0080		
40 mm	EM50-0110	EM50-0090		

PLUS

GASKET COMBINATIONS FOR FIXED SECTIONS
SABIT BÖLÜMLER İÇİN FITİL KOMBİNASYONLARI



VERTICAL DETAIL
DÜŞEY DETAY

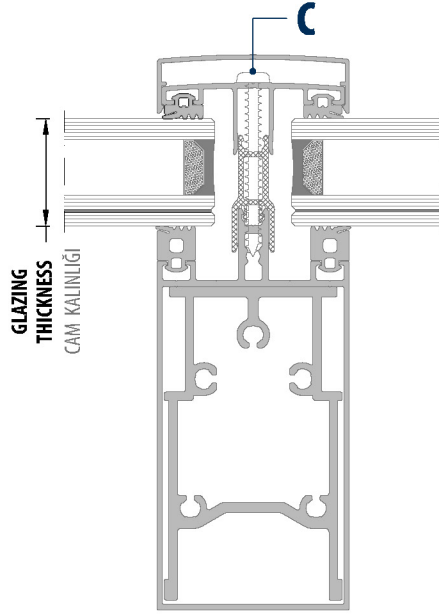


GUTTER DETAIL
OLUK DETAYI

HORIZONTAL DETAIL
YATAY DETAY

WALL DETAIL
DUVAR DETAY

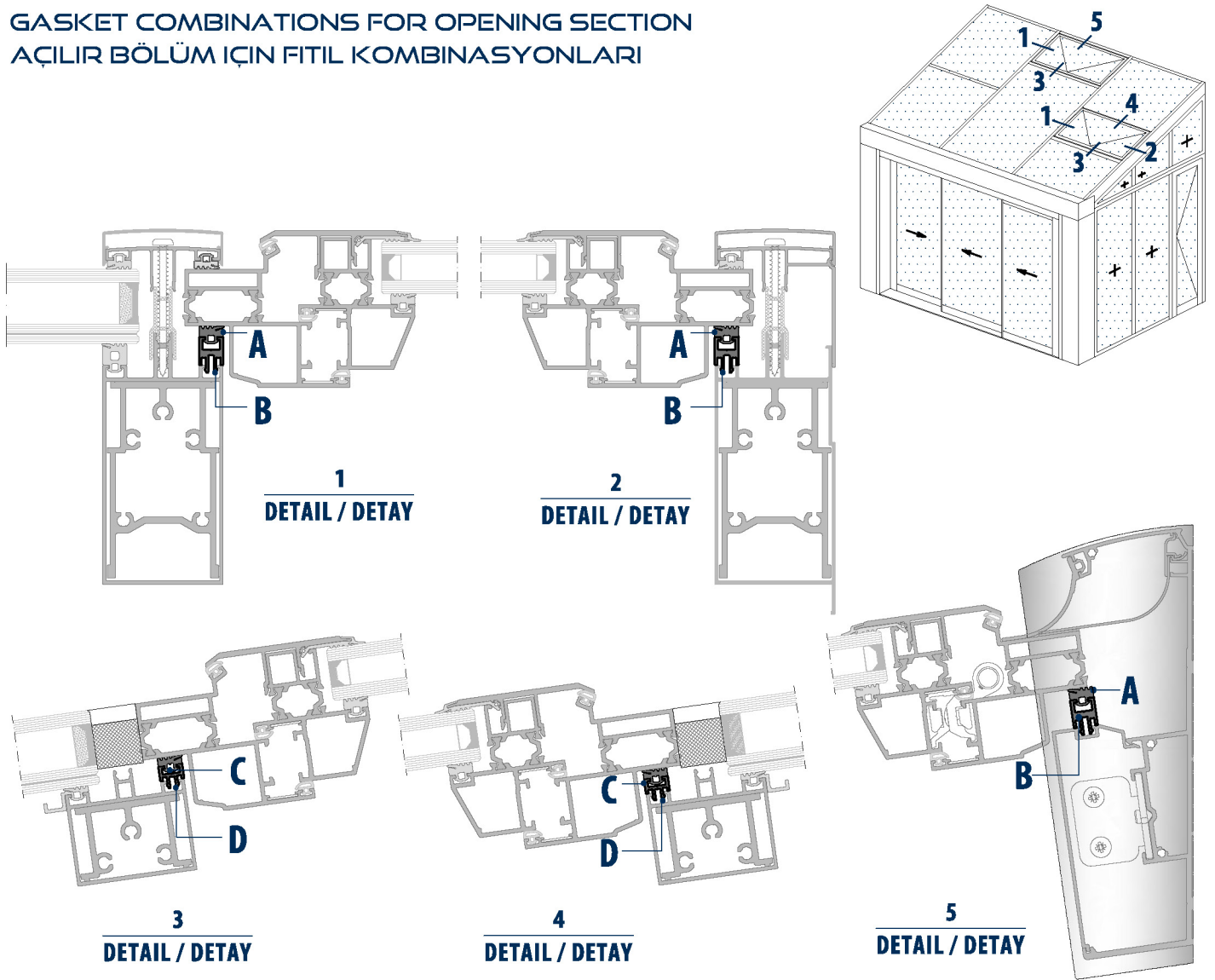
GLAZING THICKNESS CAM KALINLIĞI	VERTICAL DETAIL DÜŞEY DETAY			GUTTER DETAIL OLUK DETAYI		HORIZONTAL DETAIL YATAY DETAY	WALL DETAIL DUVAR DETAY	
	A VERTICAL GASKET DÜŞEY FITİL	B CAP GASKET KAPAK FITİLİ	C PVC	D VERTICAL GASKET DÜŞEY FITİL	E CAP GASKET KAPAK FITİLİ	F HORIZONTAL DETAIL YATAY DETAY	G VERTICAL GASKET DÜŞEY FITİL	H
6 - 13 mm			-					
18 - 33 mm	EM50-0100	EM50-0040	1 x EM145WG-101	EM145WG-100	EM145WG-201	EM50-0030	EM50-0100	EM145WG-401
40 mm			2 x EM145WG-101					

SCREW TABLE / VİDA TABLOSU

**VERTICAL DETAIL
DÜŞEY DETAY**

GLAZING THICKNESS CAM KALINLIĞI	SCREW / VİDA	HOLES / DELİKLER	GLAZING THICKNESS CAM KALINLIĞI	SCREW / VİDA	HOLES / DELİKLER
6 mm	YSB 4.8x25 DIN7981	PRESSURE CAP BASKI KAPAĞI Ø5 PVC PROFILE PROFİL Ø5 VERTICAL PROFILE DÜŞEY PROFİL Ø4	23 mm	YSB 4.8x45 DIN7981	PRESSURE CAP BASKI KAPAĞI Ø5 PVC PROFILE PROFİL Ø5 VERTICAL PROFILE DÜŞEY PROFİL Ø4
7 mm			24 mm		
8 mm	25 mm				
9 mm	26 mm				
10 mm	27 mm				
11 mm	YSB 4.8x32 DIN7981		28 mm	YSB 4.8x50 DIN7981	
12 mm			29 mm		
13 mm			30 mm		
18 mm	YSB 4.8x38 DIN7981		31 mm		
19 mm			32 mm		
20 mm	YSB 4.8x45 DIN7981	33 mm			
21 mm		40 mm	YSB 4.8x60 - DIN7981		
22 mm					

PLUS

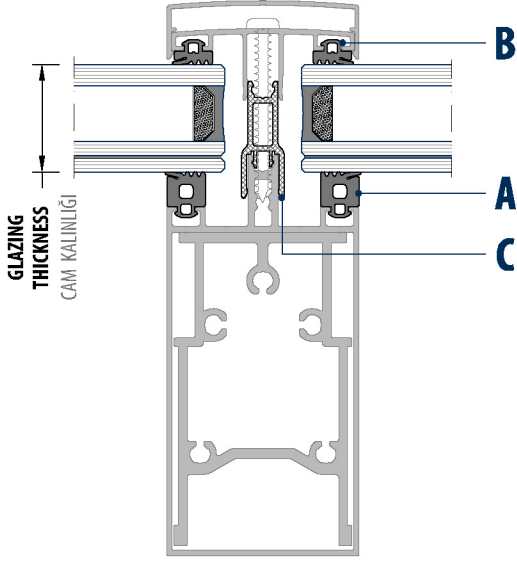
GASKET COMBINATIONS FOR OPENING SECTION
AÇILIR BÖLÜM İÇİN FITİL KOMBİNASYONLARI



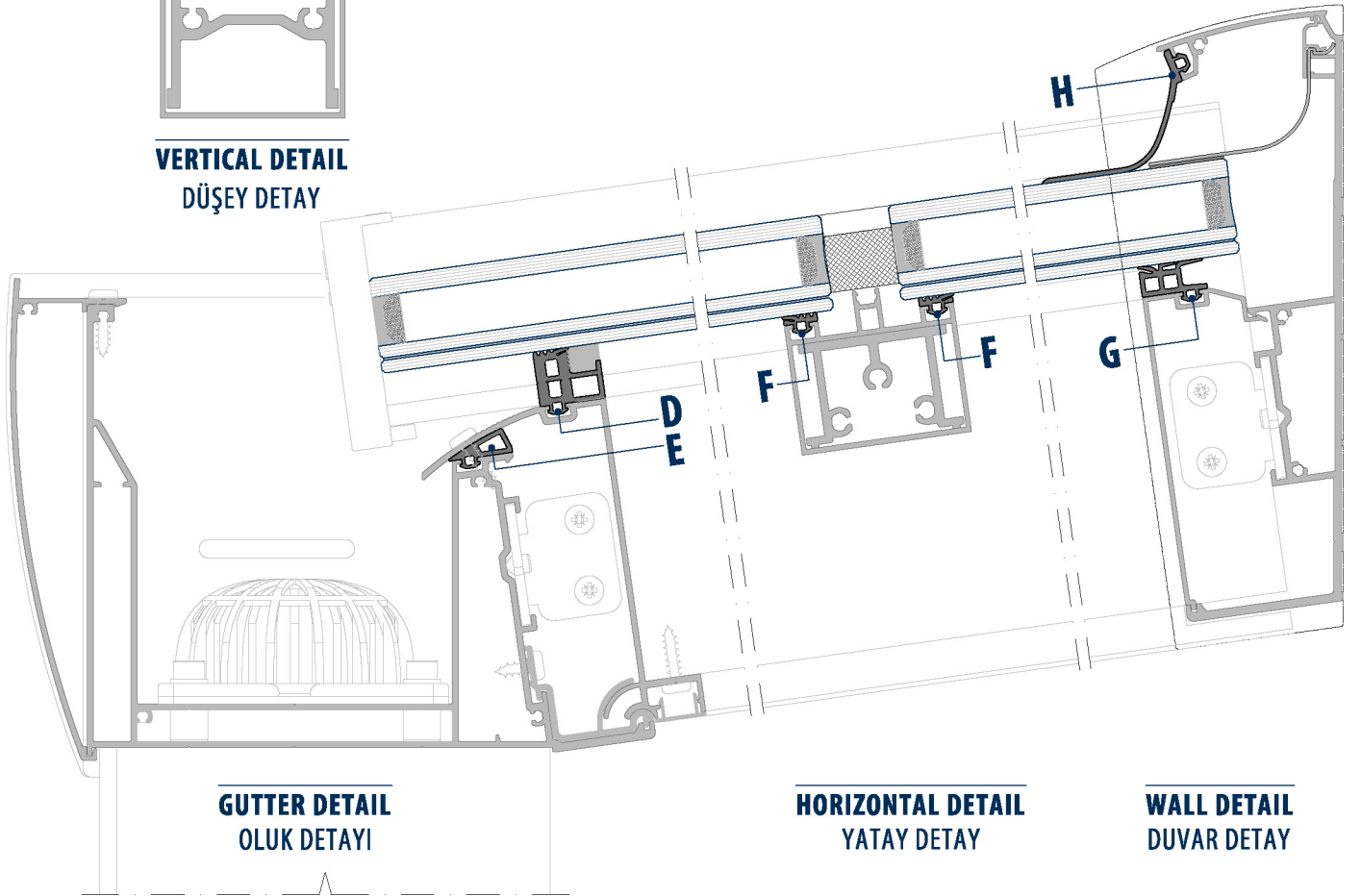
GLAZING THICKNESS CAM KALINLIĞI	VERTICAL & WALL DETAIL / DÜŞEY & DUVAR DETAYI		HORIZONTAL DETAIL / YATAY DETAYI	
	A VERTICAL & WALL GASKET DÜŞEY & DUVAR FITİLİ	B ADAPTER PROFILE ADAPTÖR PROFİLİ	C HORIZONTAL DETAIL YATAY DETAYI	D ADAPTER PROFILE ADAPTÖR PROFİLİ
26 mm	EM50-0020	50F-9301-00	EM50-0030	
27 mm	EM50-0030		EM50-0040	
28 mm	EM50-0040		EM50-0050	
29 mm	EM50-0050		EM50-0060	
30 mm	EM50-0060		EM50-0070	
31 mm	EM50-0080		EM50-0080	
32 mm	EM50-0090		EM50-0090	
33 mm	EM50-0100		EM50-0100	
40 mm	EM50-0110	50F-9304-00	EM50-0100	50F-9301-00

PLUS ANG

GASKET COMBINATIONS FOR FIXED SECTIONS
SABIT BÖLÜMLER İÇİN FITİL KOMBİNASYONLARI



VERTICAL DETAIL
DÜŞEY DETAY

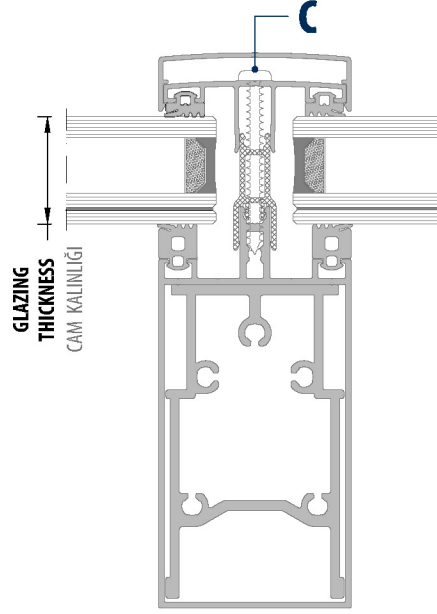


GUTTER DETAIL
OLUK DETAYI

HORIZONTAL DETAIL
YATAY DETAY

WALL DETAIL
DUVAR DETAY

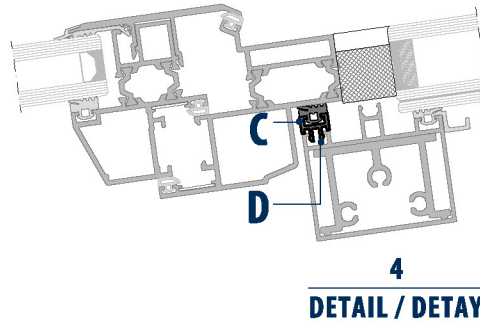
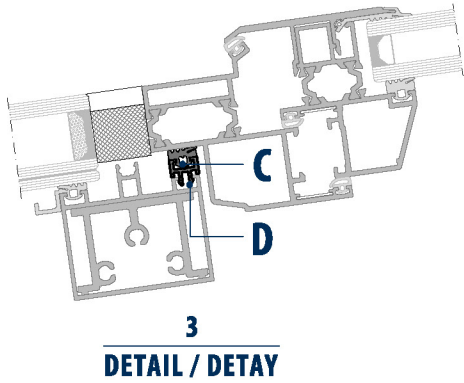
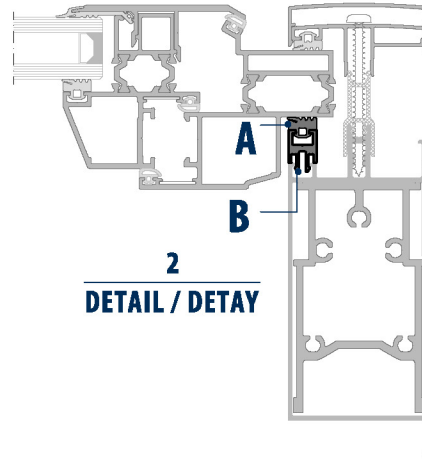
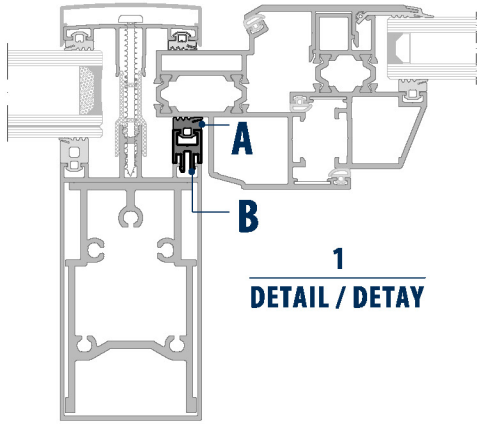
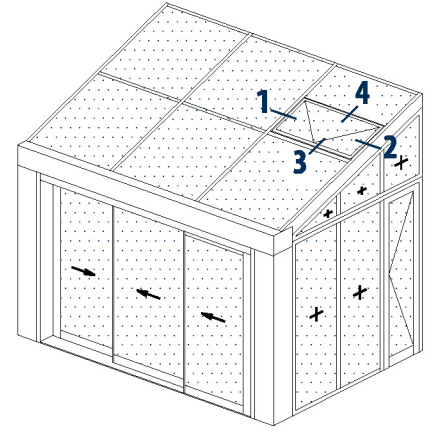
GLAZING THICKNESS CAM KALINLIĞI	VERTICAL DETAIL DÜŞEY DETAY			GUTTER DETAIL OLUK DETAYI		HORIZONTAL DETAIL YATAY DETAY	WALL DETAIL DUVAR DETAY	
	A VERTICAL GASKET DÜŞEY FITİL	B CAP GASKET KAPAK FITİLİ	C PVC	D VERTICAL GASKET DÜŞEY FITİL	E CAP GASKET KAPAK FITİLİ	F HORIZONTAL DETAIL YATAY DETAY	G VERTICAL GASKET DÜŞEY FITİL	H
6 - 13 mm			-					
18 - 33 mm	EM50-0100	EM50-0040	1 x EM145WG-101	EM145WG-602	EM145WG-601	EM50-0030	EM145WG-604	EM145WG-401
40 mm			2 x EM145WG-101					

SCREW TABLE / VIDA TABLOSU

**VERTICAL DETAIL
DÜŞEY DETAY**

GLAZING THICKNESS CAM KALINLIĞI	SCREW / VIDA	HOLES / DELİKLER	GLAZING THICKNESS CAM KALINLIĞI	SCREW / VIDA	HOLES / DELİKLER
6 mm	YSB 4.8x25 DIN7981	PRESSURE CAP BASKI KAPAĞI Ø5 PVC PROFILE PROFİL Ø5 VERTICAL PROFILE DÜŞEY PROFİL Ø4	23 mm	YSB 4.8x45 DIN7981	PRESSURE CAP BASKI KAPAĞI Ø5 PVC PROFILE PROFİL Ø5 VERTICAL PROFILE DÜŞEY PROFİL Ø4
7 mm			24 mm		
8 mm	25 mm				
9 mm	26 mm				
10 mm	27 mm				
11 mm	YSB 4.8x32 DIN7981		28 mm	YSB 4.8x50 DIN7981	
12 mm			29 mm		
13 mm			30 mm		
18 mm	YSB 4.8x38 DIN7981		31 mm		
19 mm			32 mm		
20 mm	YSB 4.8x45 DIN7981	33 mm	YSB 4.8x60 - DIN7981		
21 mm		40 mm			
22 mm					

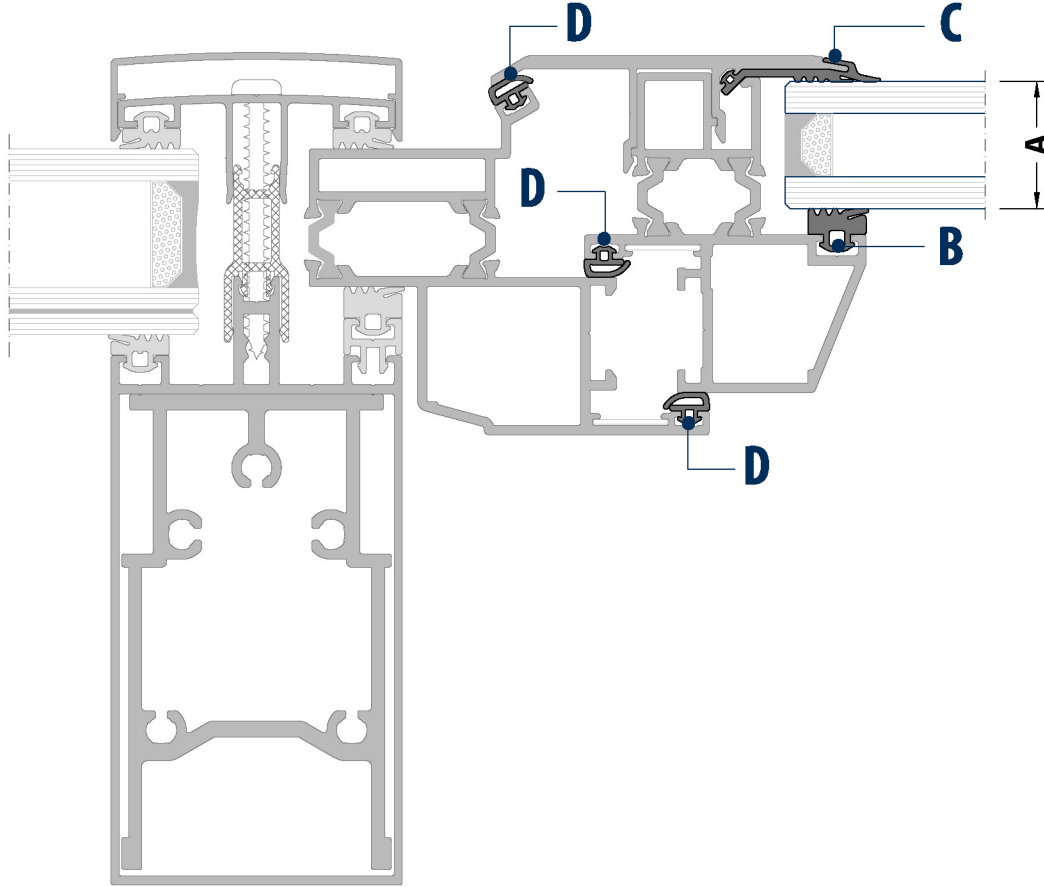
PLUS ANG

GASKET COMBINATIONS FOR OPENING SECTION
AÇILIR BÖLÜM İÇİN FITİL KOMBİNASYONLARI



GLAZING THICKNESS CAM KALINLIĞI	VERTICAL DETAIL / DÜŞEY DETAYI		HORIZONTAL DETAIL / YATAY DETAYI	
	A VERTICAL GASKET DÜŞEY FITİLİ	B ADAPTER PROFILE ADAPTÖR PROFİLİ	C HORIZONTAL DETAIL YATAY DETAYI	D ADAPTER PROFILE ADAPTÖR PROFİLİ
26 mm	EM50-0020	50F-9301-00	EM50-0030	-
27 mm	EM50-0030		EM50-0040	
28 mm	EM50-0040		EM50-0050	
29 mm	EM50-0050		EM50-0060	
30 mm	EM50-0060		EM50-0070	
31 mm	EM50-0080		EM50-0080	
32 mm	EM50-0090		EM50-0090	
33 mm	EM50-0100		EM50-0100	
40 mm	EM50-0110		50F-9304-00	







SASH GLAZING TABLE / KANAT CAM TABLOSU




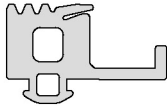
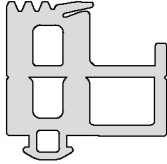

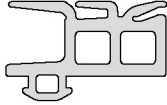
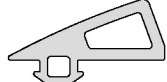
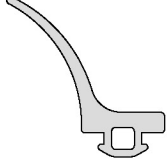

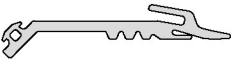

A	B	C	D
GLAZING THICKNESS CAM KALINLIĞI	INSIDE GASKET İÇ CAM FITİLİ	OUTSIDE GASKET DIŞ CAM FITİLİ	ACOUSTICAL GASKET BİNİ FITİLİ
20 mm	EM50-0090	EM50-3701	EM3-01
22 mm	EM50-0070		
24 mm	EM50-0050		
26 mm	EM50-0030		

ACCESSORIES / AKSESUARLAR

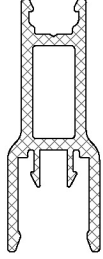
GASKETS / FITİLLER

CODE / KOD	DRAWING / ÇİZİM	APPLICATION UYGULAMA	DESCRIPTION AÇIKLAMA	MATERIAL MALZEME	WEIGHT AĞIRLIK Kg/m	IN ONE PACKAGE PAKET MIKTARI
EM50-0020			GLASS GASKET CAM FITİLİ	EPDM	0.00	0 m
EM50-0030			GLASS GASKET CAM FITİLİ	EPDM	0.050	300 m
EM50-0040			GLASS GASKET CAM FITİLİ	EPDM	0.059	254 m
EM50-0050			GLASS GASKET CAM FITİLİ	EPDM	0.075	200 m
EM50-0060			GLASS GASKET CAM FITİLİ	EPDM	0.093	160 m
EM50-0070			GLASS GASKET CAM FITİLİ	EPDM	0.100	150 m
EM50-0080			GLASS GASKET CAM FITİLİ	EPDM	0.107	140 m
EM50-0090			GLASS GASKET CAM FITİLİ	EPDM	0.120	125 m
EM50-0100			GLASS GASKET CAM FITİLİ	EPDM	0.136	110 m
EM50-0110			GLASS GASKET CAM FITİLİ	EPDM	0.137	109 m
EM50-0120			GLASS GASKET CAM FITİLİ	EPDM	0.150	100 m
EM145WG-202			XXXX XXXX	EPDM	0	0 m

GASKETS / FITİLLER

CODE / KOD	DRAWING / ÇİZİM	APPLICATION UYGULAMA	DESCRIPTION AÇIKLAMA	MATERIAL MALZEME	WEIGHT AĞIRLIK Kg/m	IN ONE PACKAGE PAKET MIKTARI
EM145WG-030			GLASS GASKET CAM FITİLİ	EPDM	0.0	0 m
EM145WG-100			GLASS GASKET CAM FITİLİ	EPDM	0.0	0 m
EM145WG-602			GLASS GASKET CAM FITİLİ	EPDM	0.0	0 m
EM145WG-603			GLASS GASKET CAM FITİLİ	EPDM	0.0	0 m
EM145WG-604			GLASS GASKET CAM FITİLİ	EPDM	0.0	0 m
EM145WG-601			GLASS GASKET CAM FITİLİ	EPDM	0.0	0 m
EM145WG-201			XXXX XXXX	EPDM	0	0 m
EM145WG-401			XXXX XXXX	EPDM	0	0 m
EM50-3701			OUTSIDE GASKET DIŞ CAM FITİLİ	EPDM	0.075	200 m
EM3-01			ACOUSTICAL GASKET BİNİ FITİLİ	EPDM	0.032	465 m

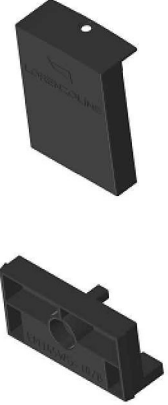


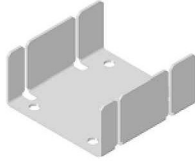



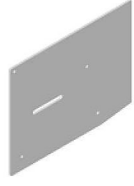
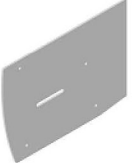

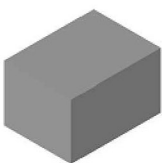
PVC ADAPTER / PVC ADAPTÖR

CODE / KOD	DRAWING / ÇİZİM	APPLICATION UYGULAMA	DESCRIPTION AÇIKLAMA	IN ONE PACKAGE PAKET MİKTARI
EM145WG-101			PVC ADAPTER PROFILE PVC ADAPTÖR PROFİLİ	6000 mm

JOINTS / BAĞLANTILAR

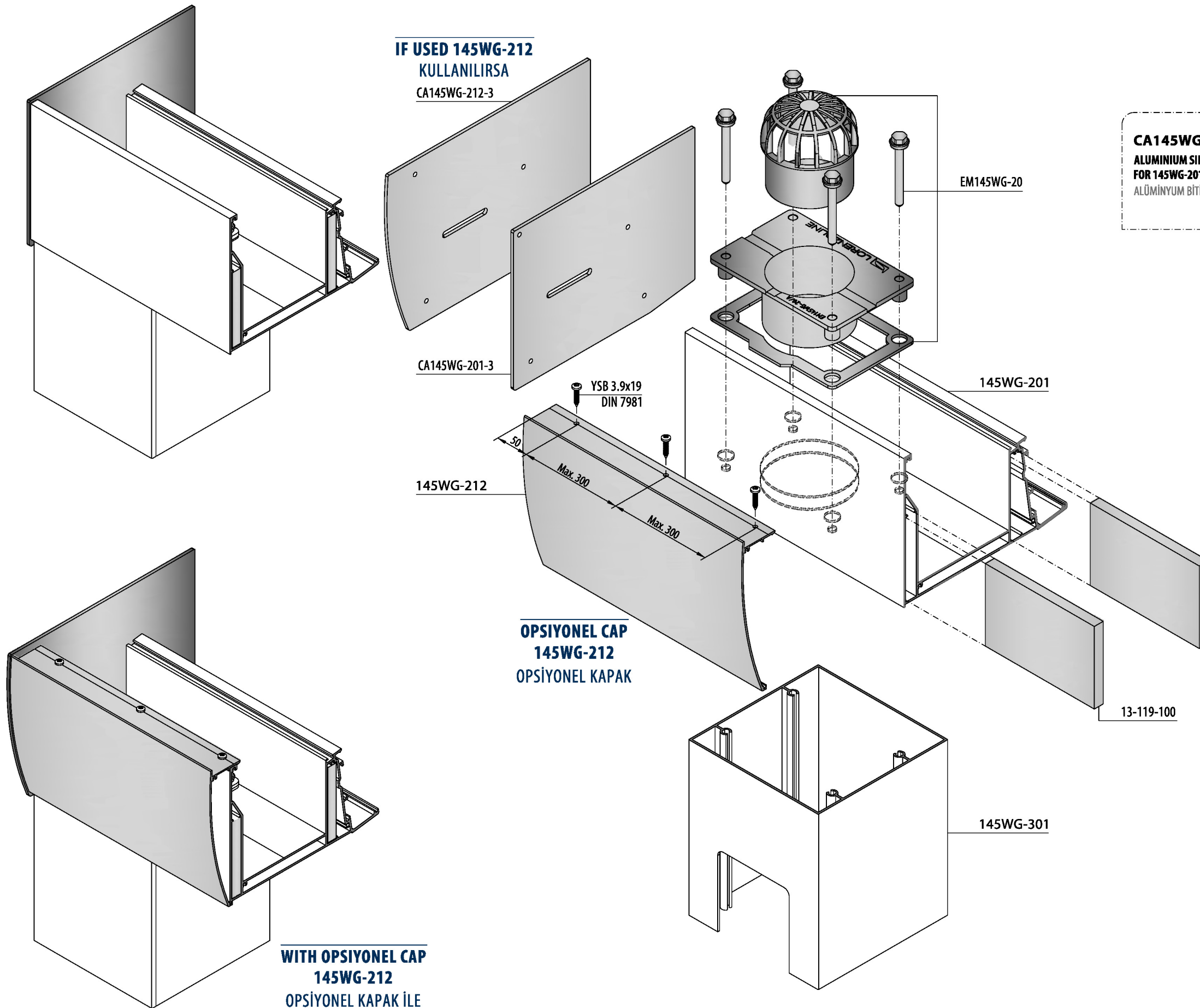
CODE / KOD	DRAWING / ÇİZİM	APPLICATION / UYGULAMA	PROFILE CODE PROFİL KOD	CUTTING SIZE KESİM ÖLÇÜSÜ	APPLICATION PROFILES ÇALIŞTIĞI PROFİLLER
CA145WG-901-25			145WG-901	25.0 mm	145WG-132
CC145WG-901-25			145WG-901	25.0 mm	145WG-101
CC-101-12.6			09-101-00	12.6 mm	50F-3291-00 50F-3292-00
CC-104-05.8			09-104-00	05.8 mm	50F-3191-00 50F-3192-00
CC-122-25.7			09-122-00	25.7 mm	50F-3291-00 50F-3292-00
CC-123-21.2			09-123-00	21.2 mm	50F-3191-00 50F-3192-00
MK-20.1			50F-3191-00 50F-3102-00	CORNER JOINT KÖŞE GÖNYE	METAL

ACCESSORIES / AKSESUARLAR

PACKAGE CODE PAKET KODU	PICTURE / RESİM	DESCRIPTION AÇIKLAMA	PACKAGE CODE PAKET KODU	PICTURE / RESİM	DESCRIPTION AÇIKLAMA
EM145WG-10		MULLION CAP SET GRİYAJ KAPAK SETİ	AC145WG-11		MULLION PROFİLE BRACKET GRİYAJ PROFİL BAĞLANTISI
EM145WG-20		DRANAIGE & GUTTER POST MONTAGE SET TAHLİYE & OLUK KOLON MONTAJ SETİ	AC145WG-301		ANCHOR FOR 145WG-301 ANKRAJ
EM145WG-22		GUTTER POST MONTAGE SET OLUK KOLON MONTAJ SETİ	AC145WG-311		ANCHOR FOR 145WG-311 ANKRAJ
EM145WG-30	 vida eklenecek	POST DRANAIGE CAP KOLON TAHLİYE KAPAĞI	CA145WG-201-3		ALUMINIUM SIDE CAP FOR 145WG-201 ALÜMİNYUM BİTİŞ KAPAĞI
			CA145WG-212-3		ALUMINIUM SIDE CAP FOR 145WG-212 ALÜMİNYUM BİTİŞ KAPAĞI
			CA145WG-401-3		ALUMINIUM SIDE CAP FOR 145WG-401 ALÜMİNYUM BİTİŞ KAPAĞI
			EM145WG-100S		CONDENSATION SPONGE YOĞUŞMA SÜNGERİ

ASSEMBLY DETAILS
MONTAJ DETAYLARI

GUTTER ASSEMBLY / OLUK MONTAJI



EM145WG-20
DRAINAGE & GUTTER
POST MONTAGE SET
TAHLİYE & OLUK
KOLON MONTAJ SETİ



CA145WG-201-3
ALUMINIUM SIDE CAP
FOR 145WG-201
ALÜMİNYUM BİTİŞ KAPAĞI

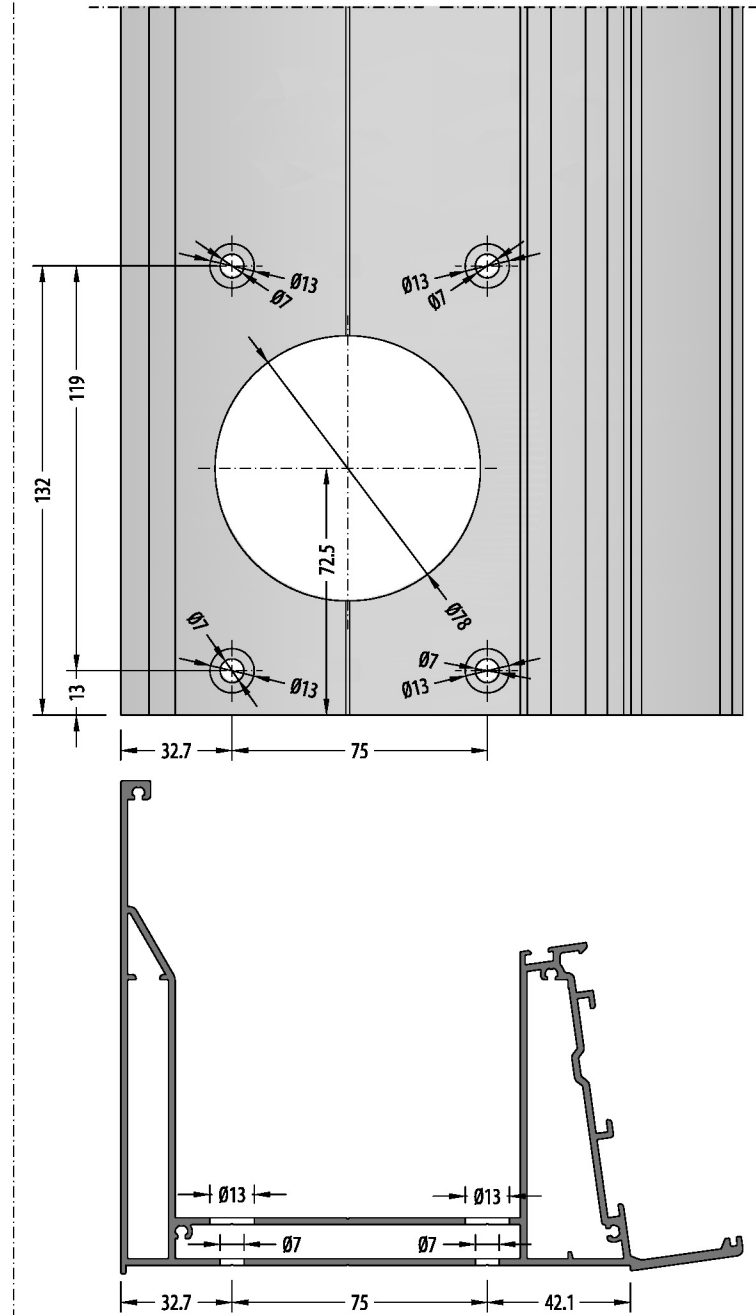


CA145WG-212-3
ALUMINIUM SIDE CAP
FOR 145WG-212
ALÜMİNYUM BİTİŞ KAPAĞI
**IF USED 145WG-212
KULLANILIRSA**



HOLES / DELİK

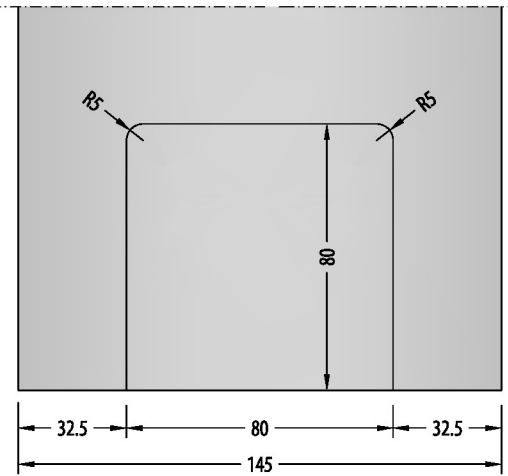
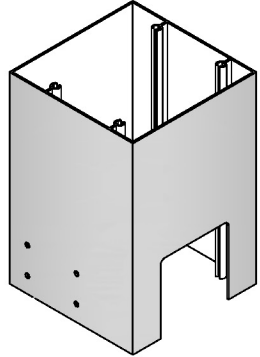
145WG-201



POST - GROUND ASSEMBLY / DİKME - ZEMİN MONTAJI

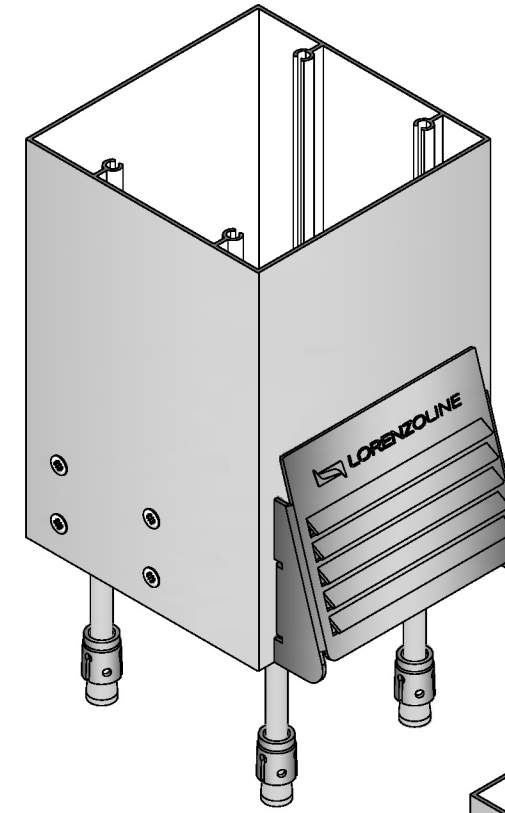
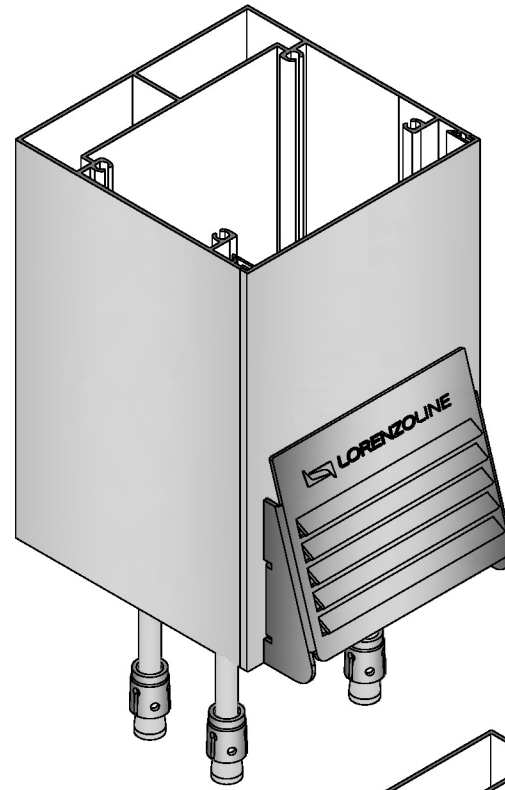
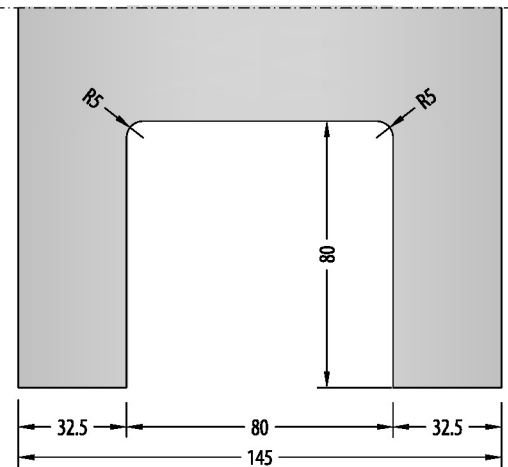
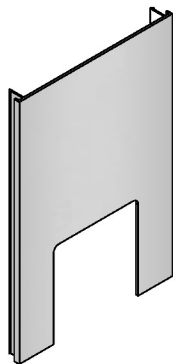
145WG-301

NOCH / KERME



145WG-312

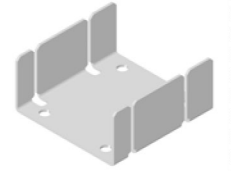
NOCH / KERME



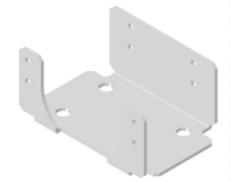
EM145WG-30
POST DRAINAGE CAP
KOLON TAHLİYE KAPAĞI



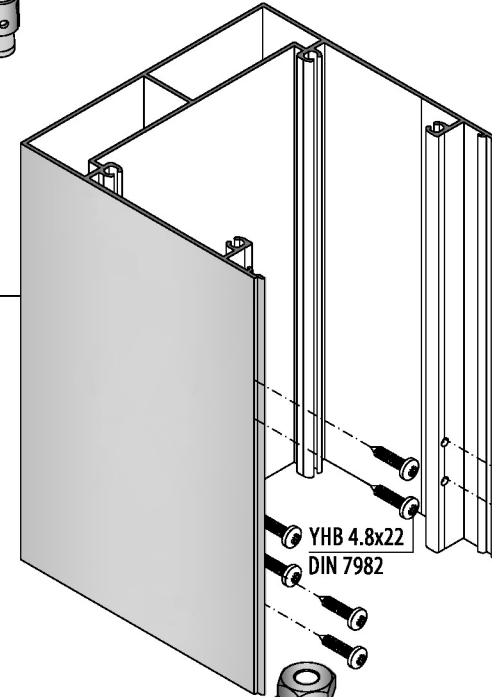
AC145WG-301
ANCHOR FOR
145WG-301
ANKRAJ



AC145WG-311
ANCHOR FOR
145WG-311
ANKRAJ



145WG-311

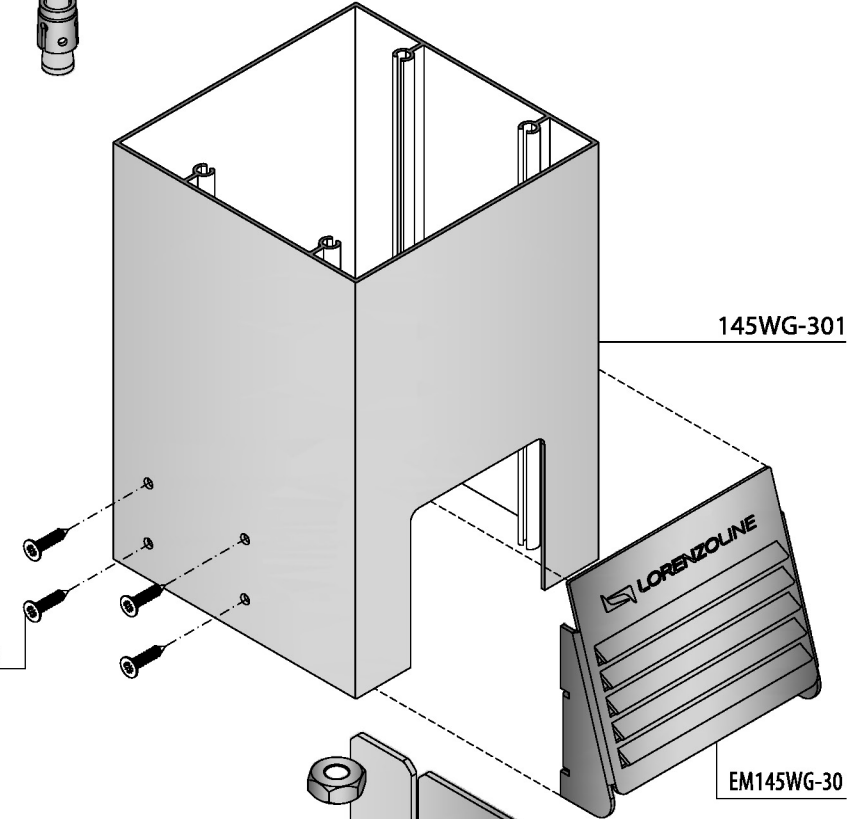


YHB 4.8x22
DIN 7982

YHB 4.8x22
DIN 7982

145WG-312

YHB 4.8x22
DIN 7982

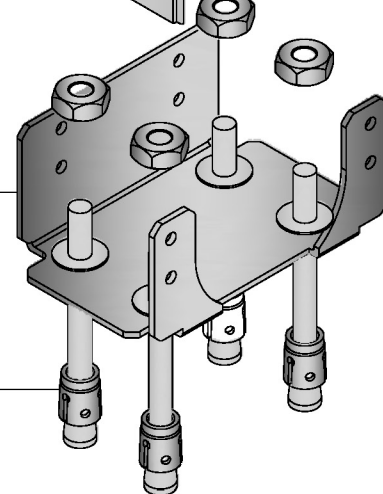


145WG-301

EM145WG-30

AC145WG-311

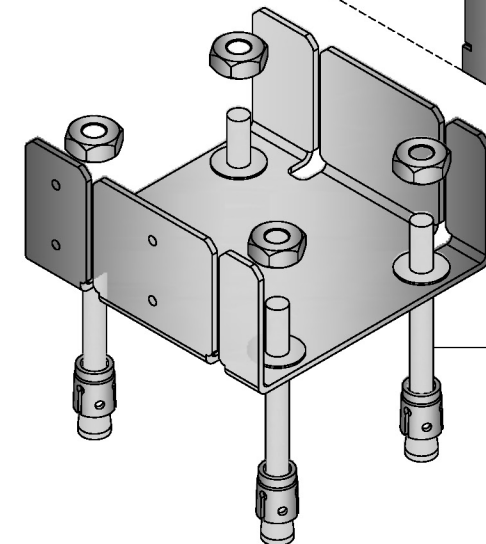
STEEL ANCHOR
ÇELİK DÜBEL



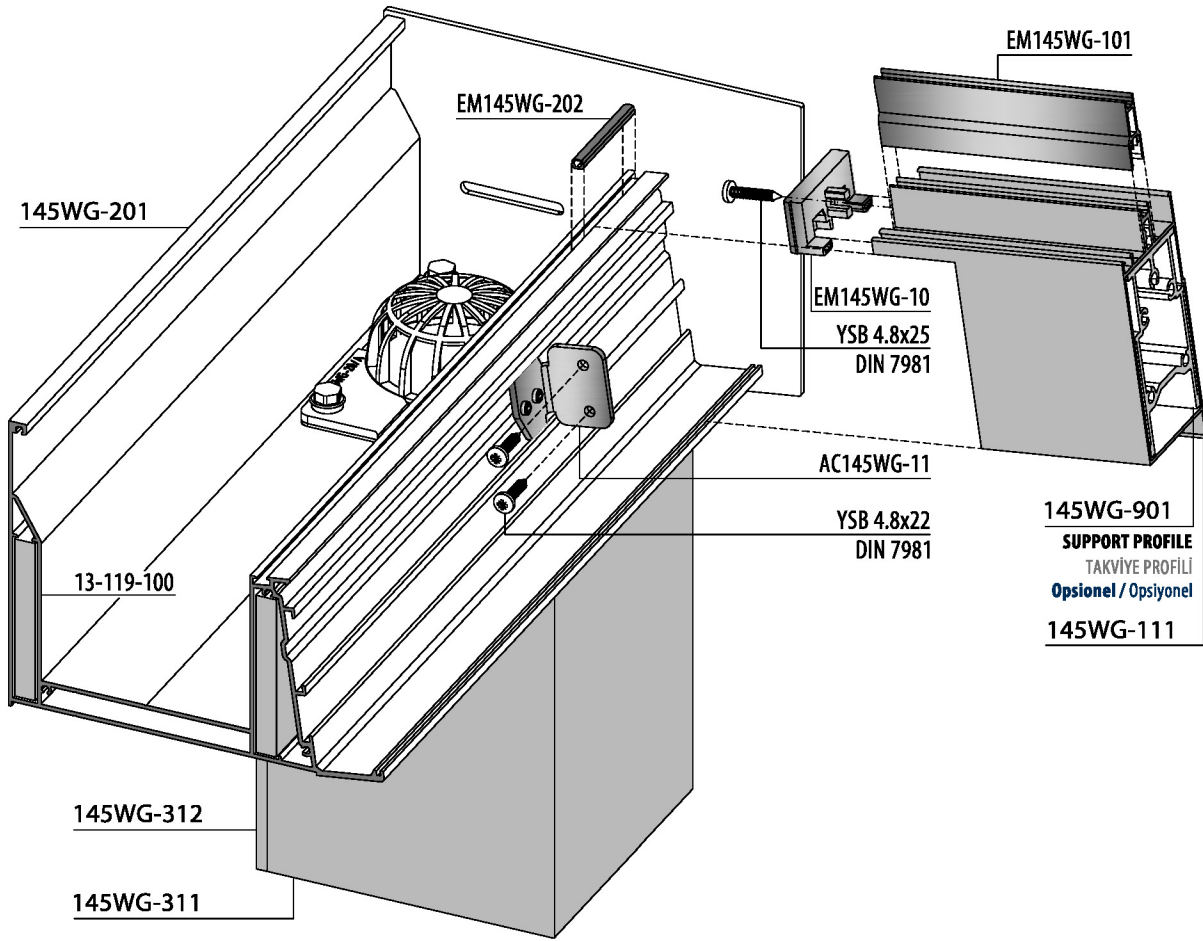
EM145WG-30

AC145WG-301

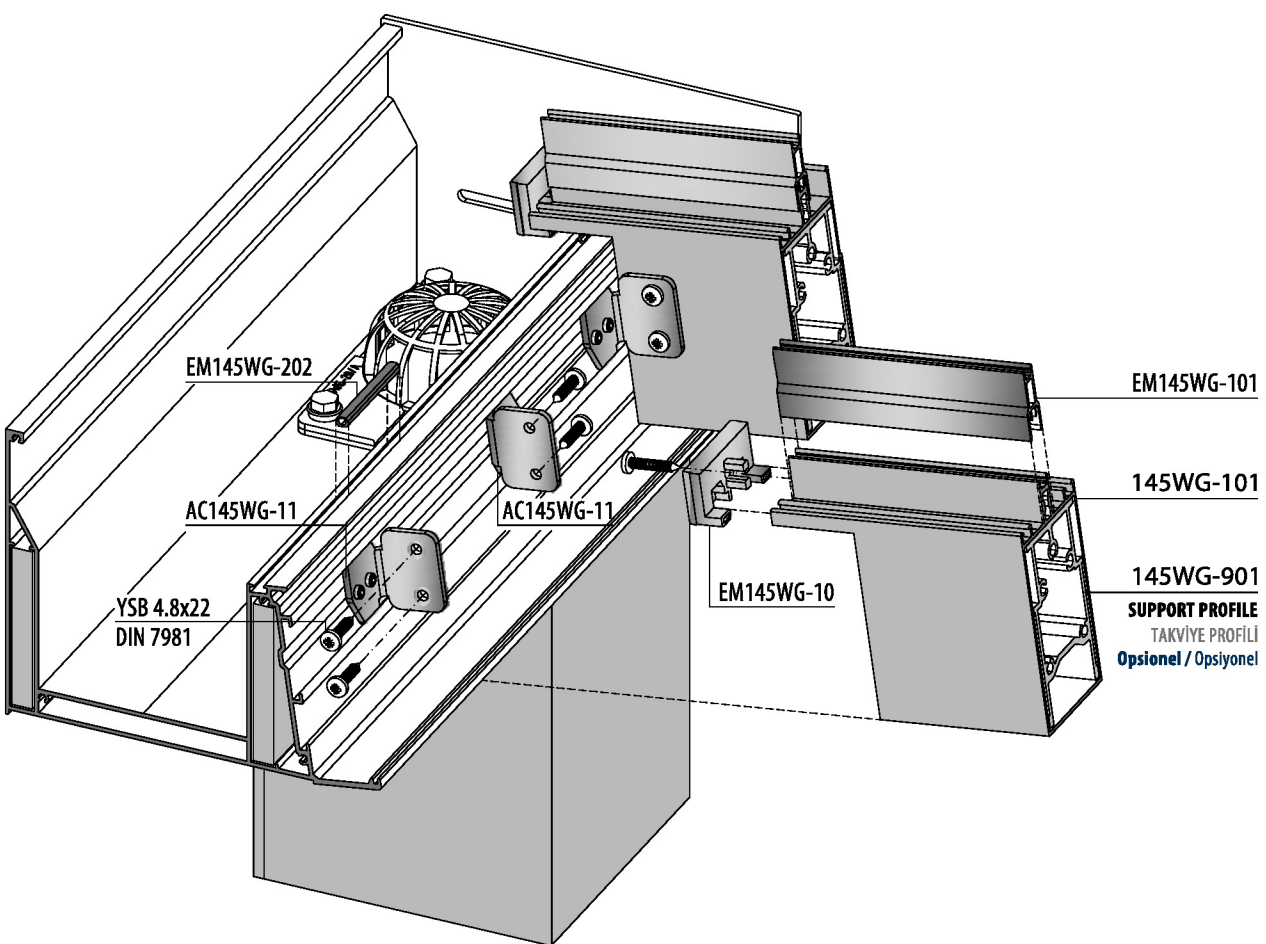
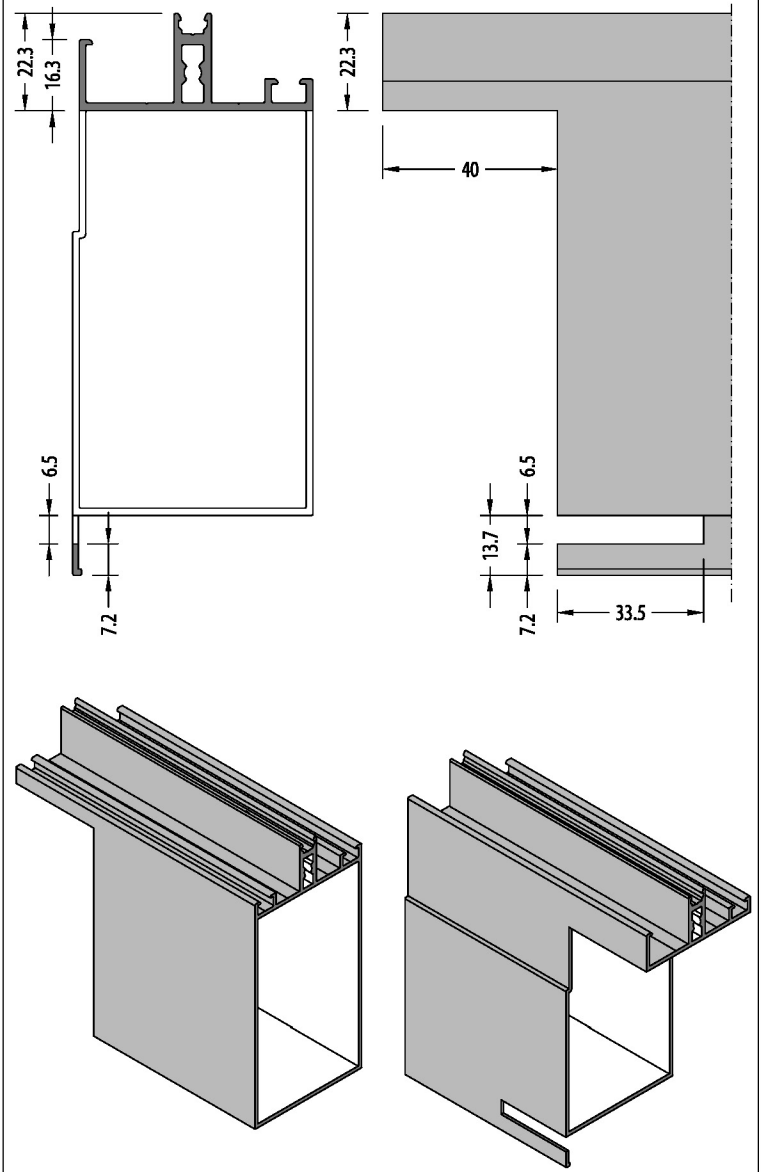
STEEL ANCHOR
ÇELİK DÜBEL



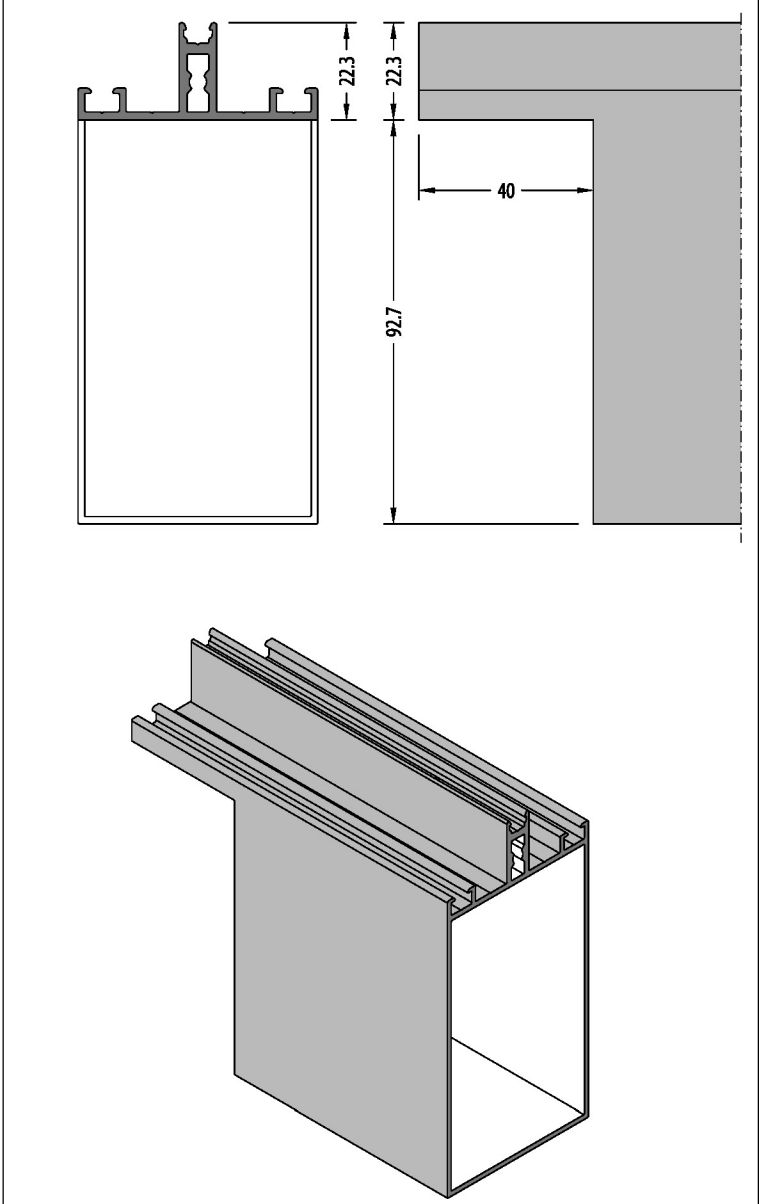
XXXXXXXX / XXXXXX



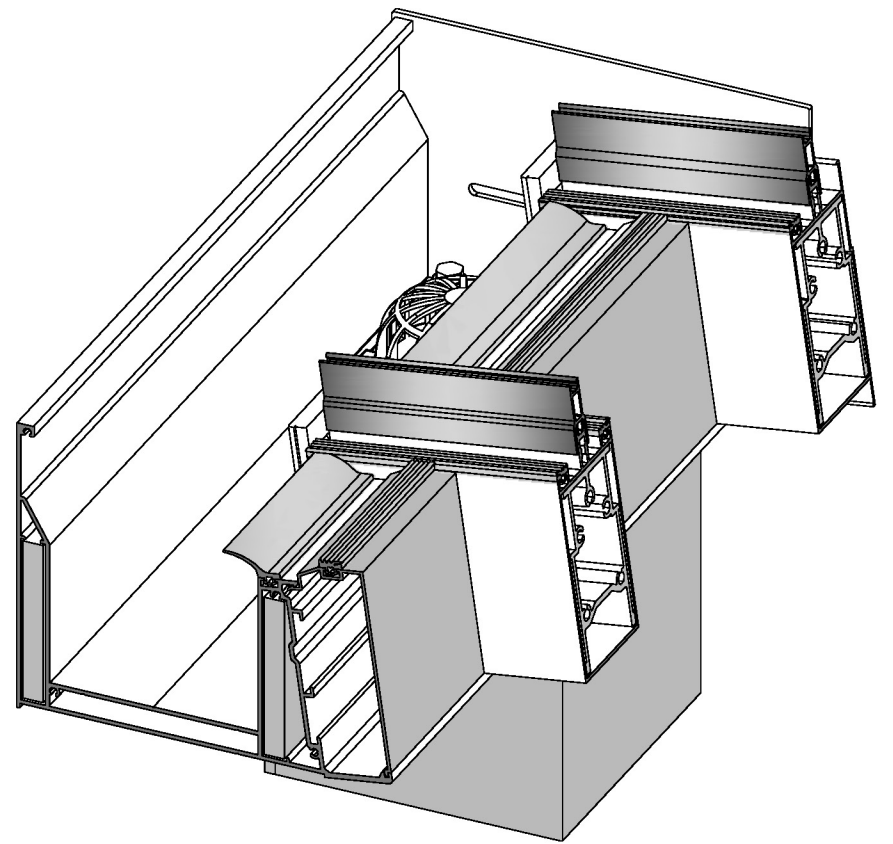
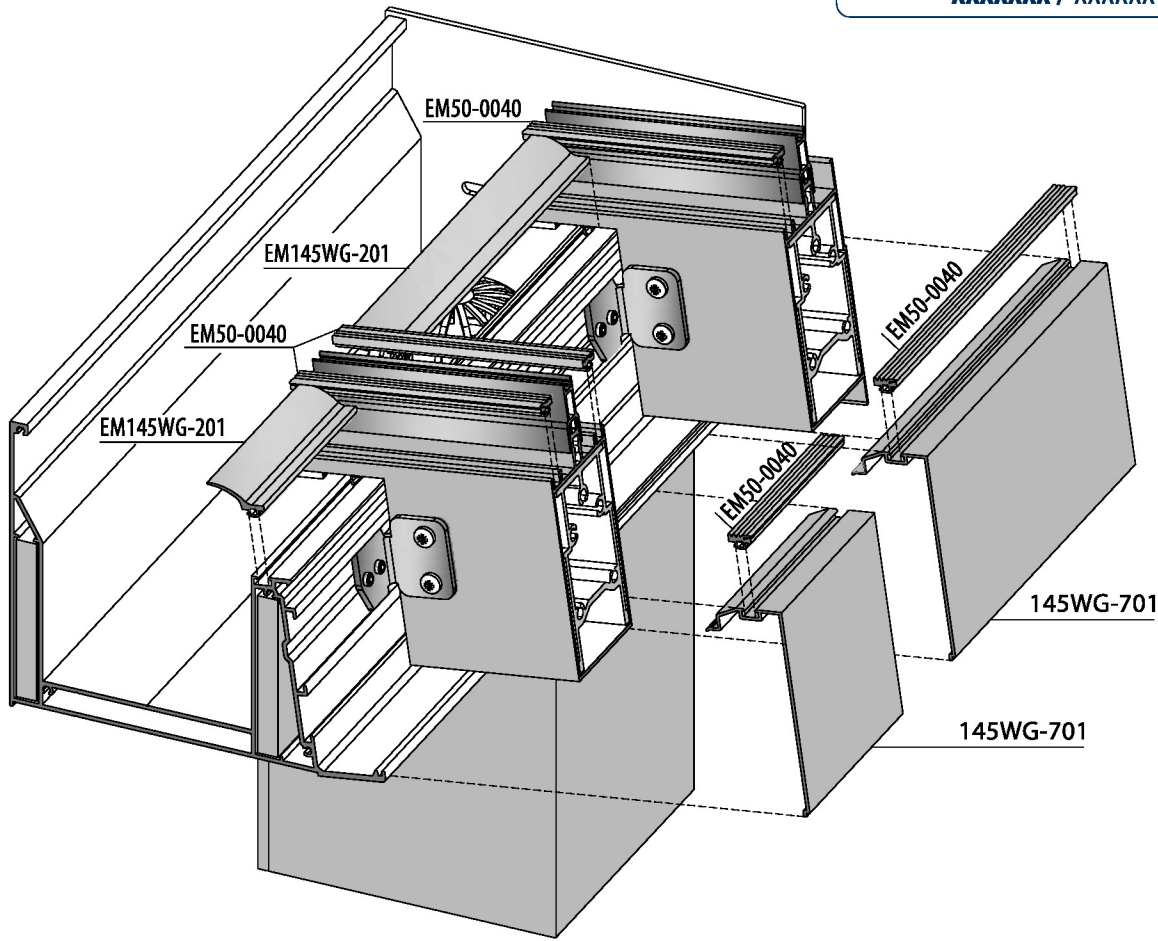
NOCH / KERME 145WG-111



NOCH / KERME 145WG-101



XXXXXXXX / XXXXXX



YHB 3.5x19
DIN 7982
EM145WG-10

YHB 3.5x19
DIN 7982
EM145WG-10

145WG-502

YSB 4.8x50
DIN 7981

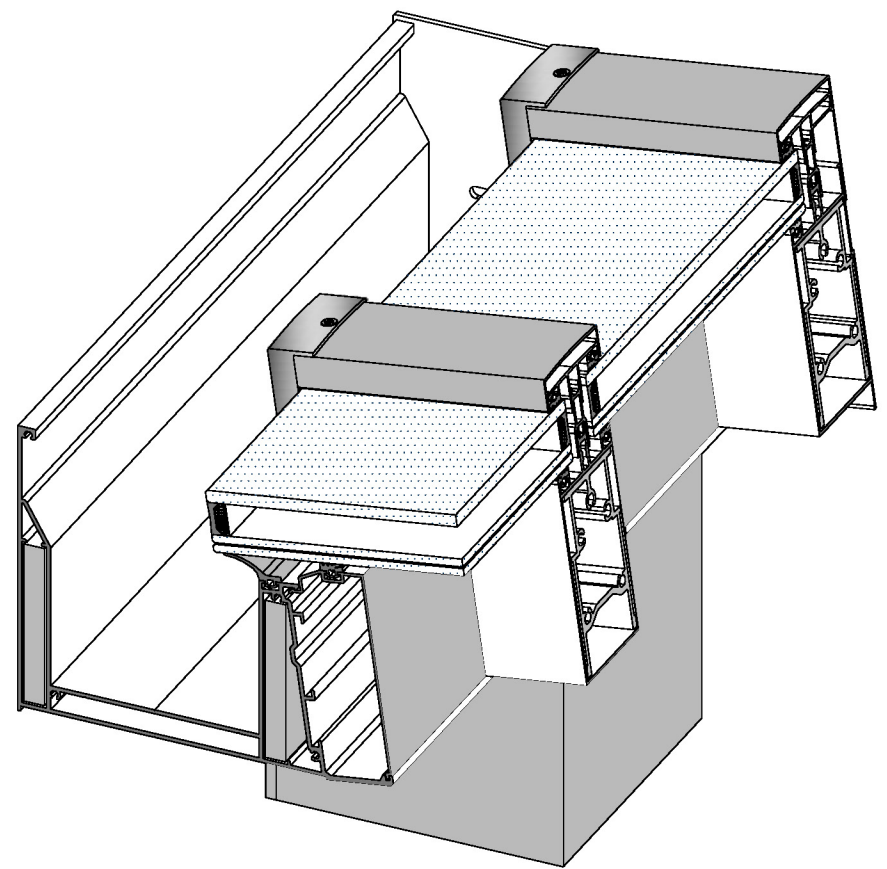
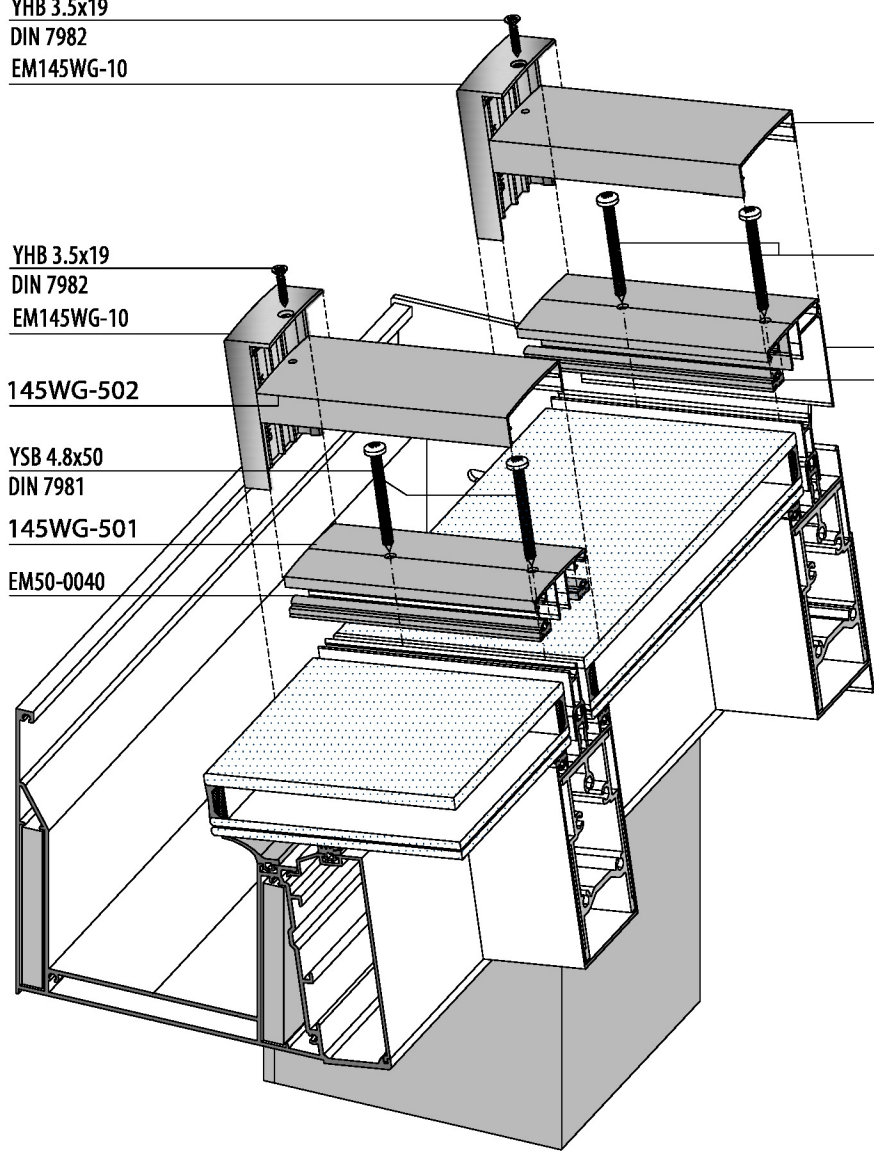
145WG-501

EM50-0040

145WG-502

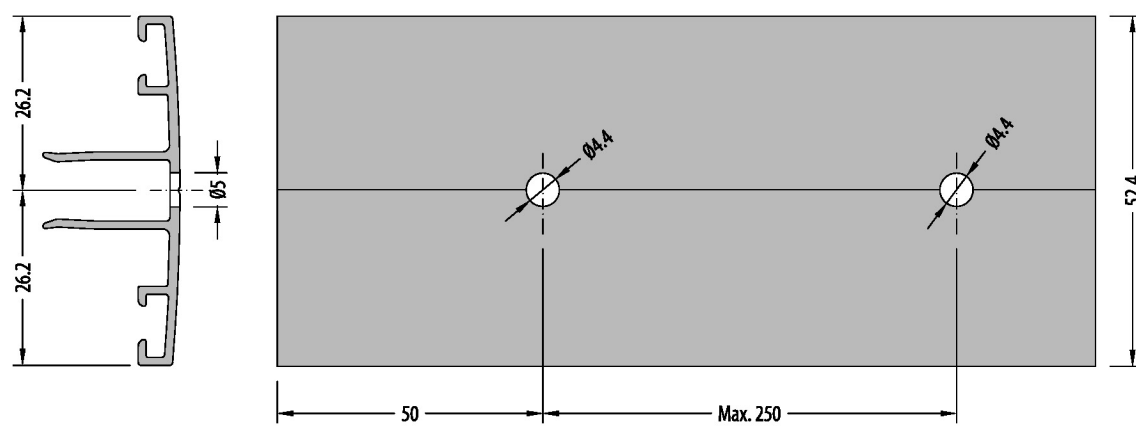
YSB 4.8x50
DIN 7981

145WG-503
EM50-0040

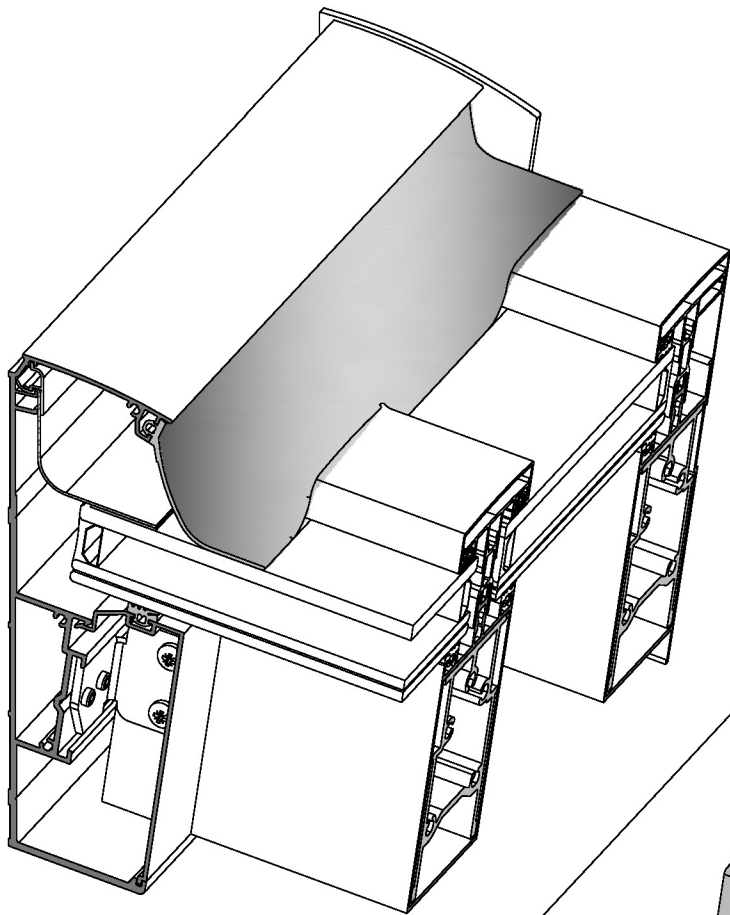
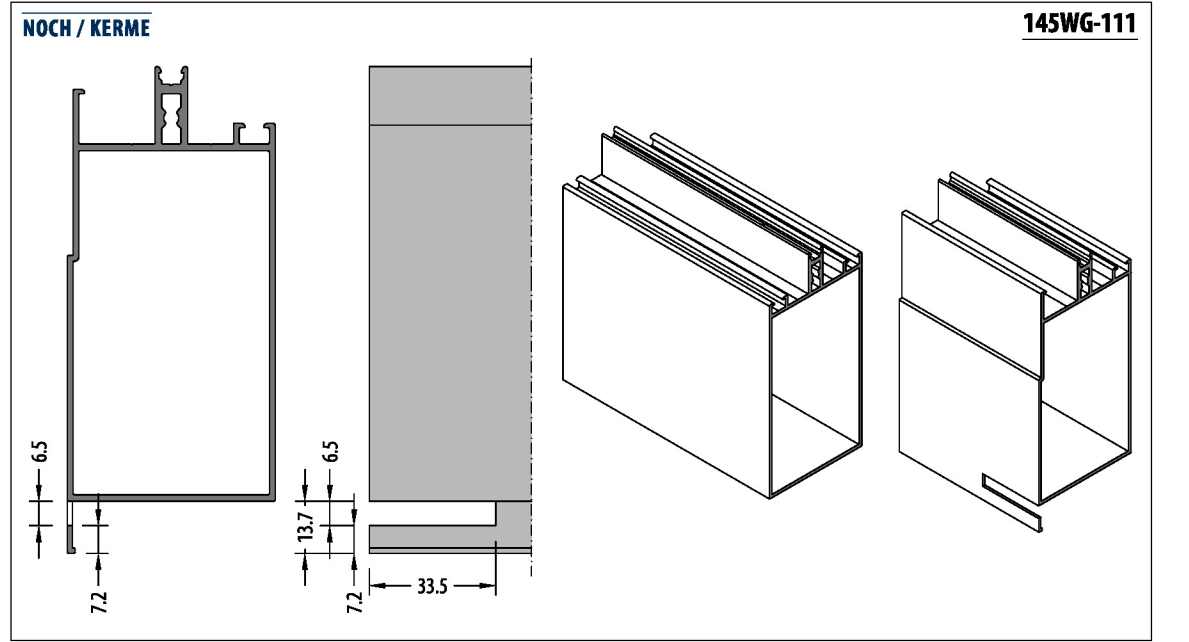
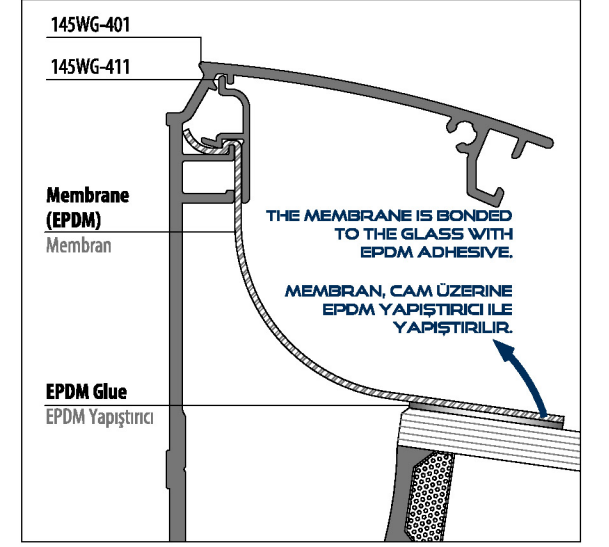
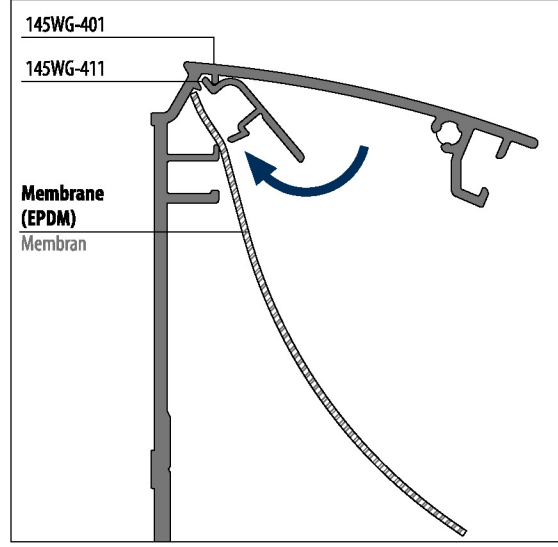
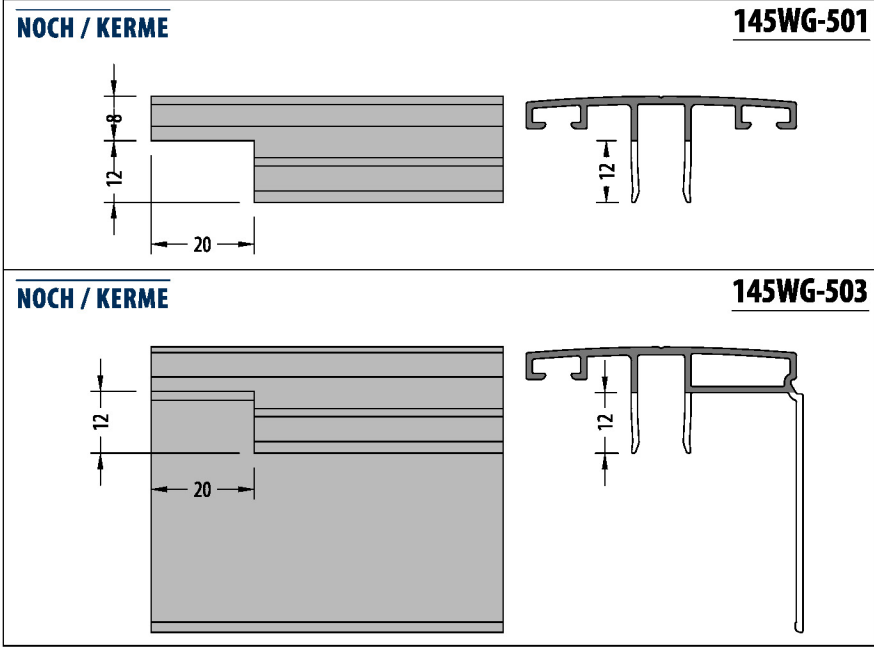


HOLES / DELİK

145WG-501



WALL SIDE ASSEMBLY / DUVAR TARAFI MONTAJI



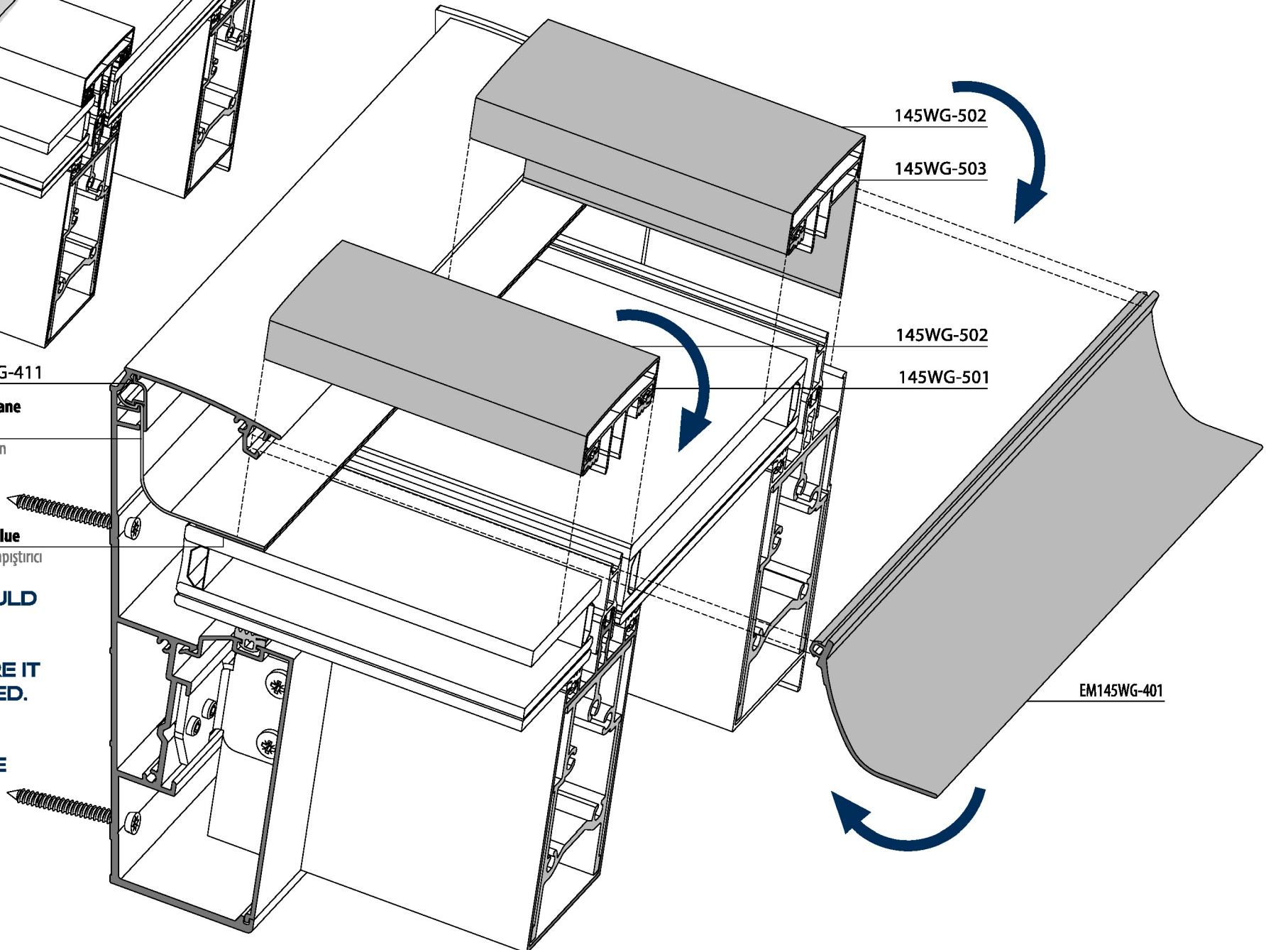
145WG-411

Membrane (EPDM)
Membran

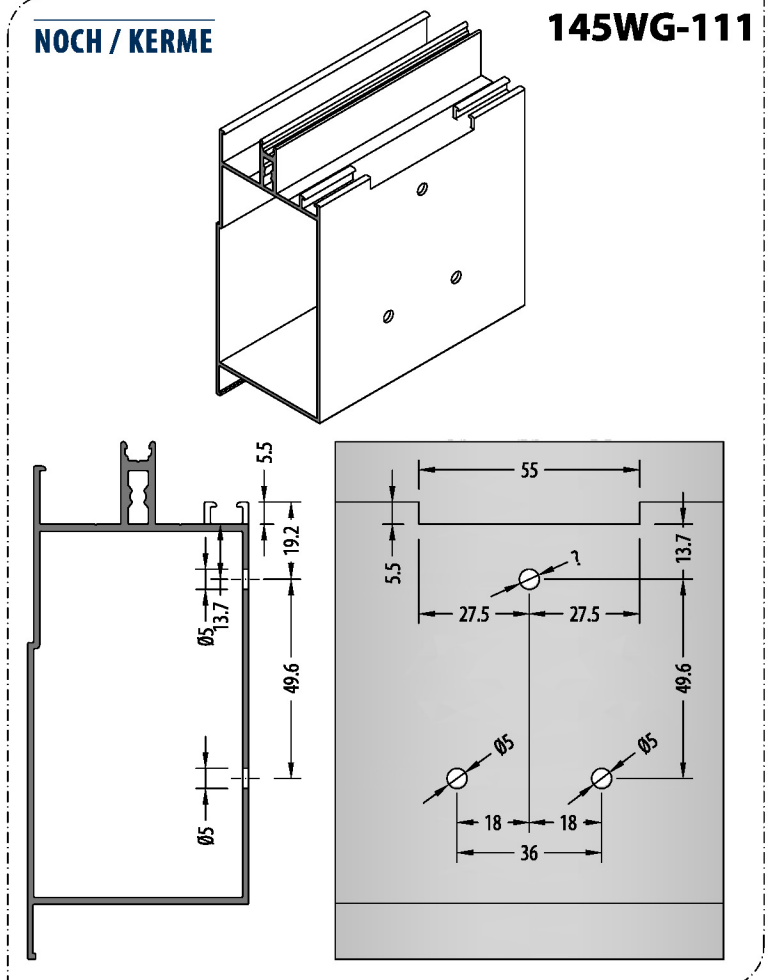
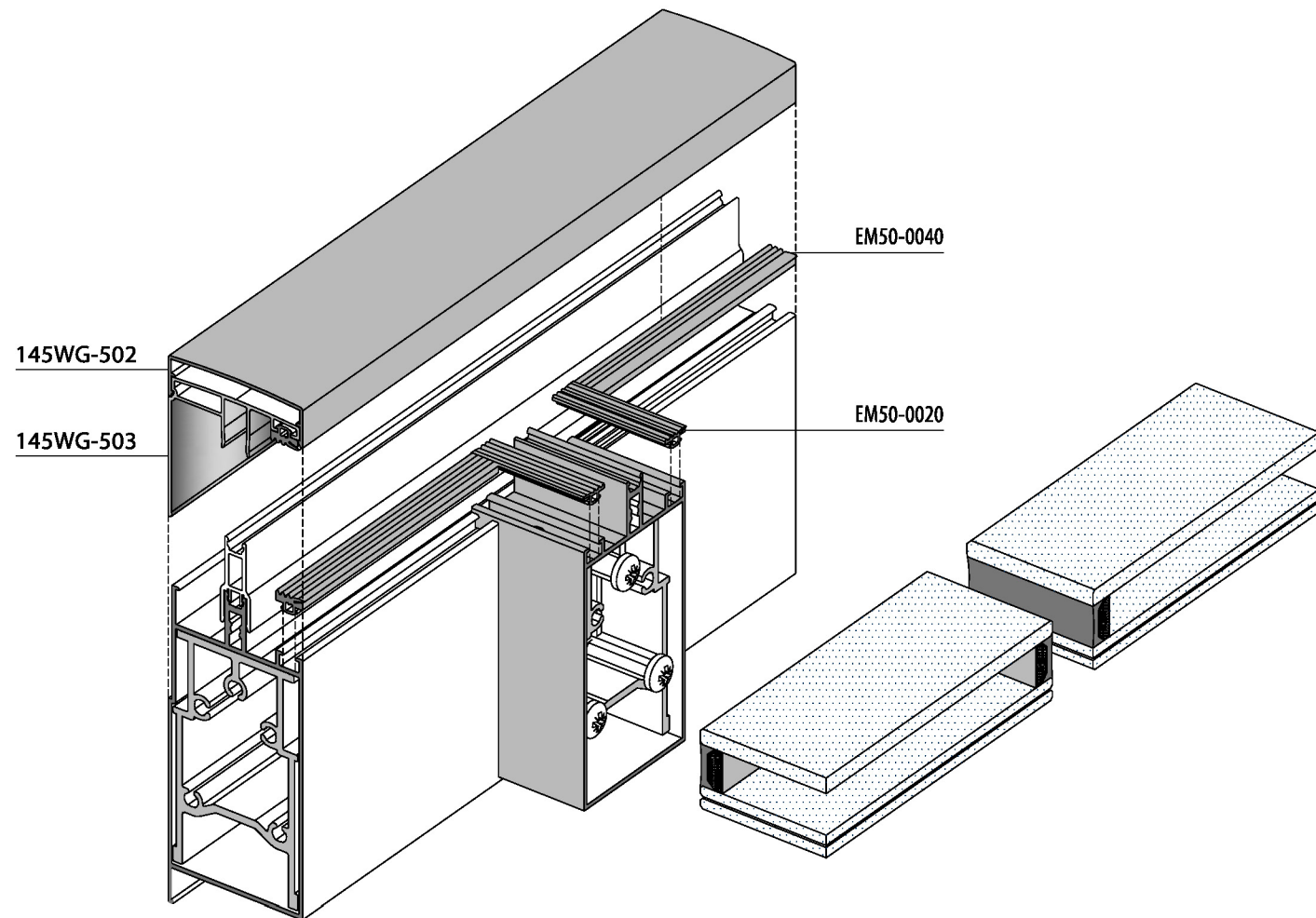
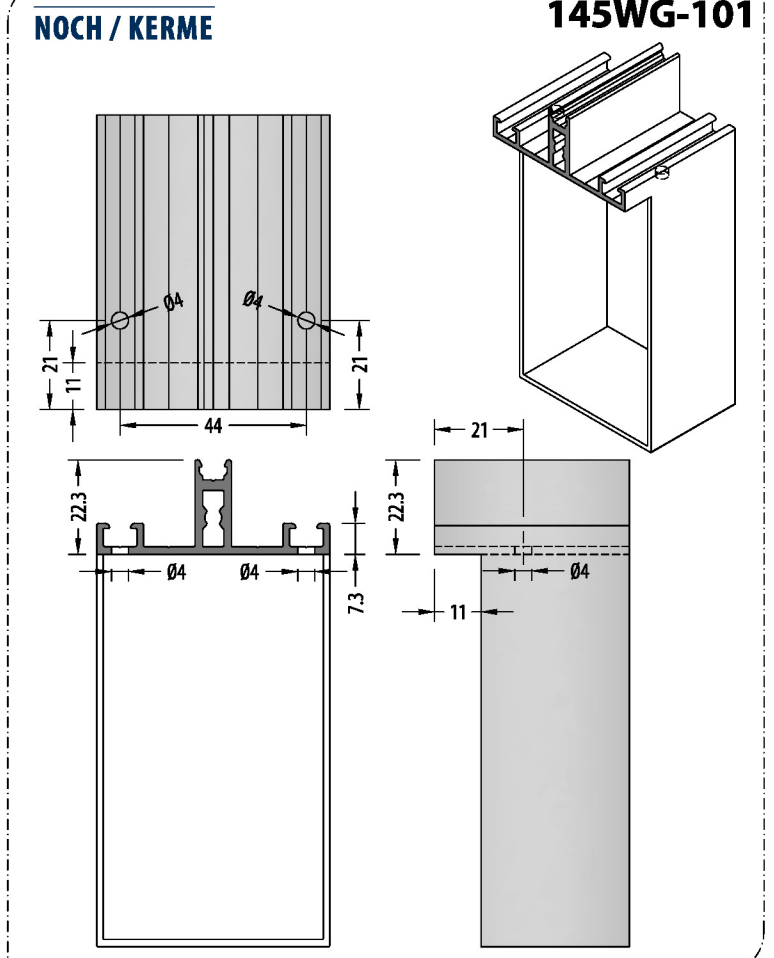
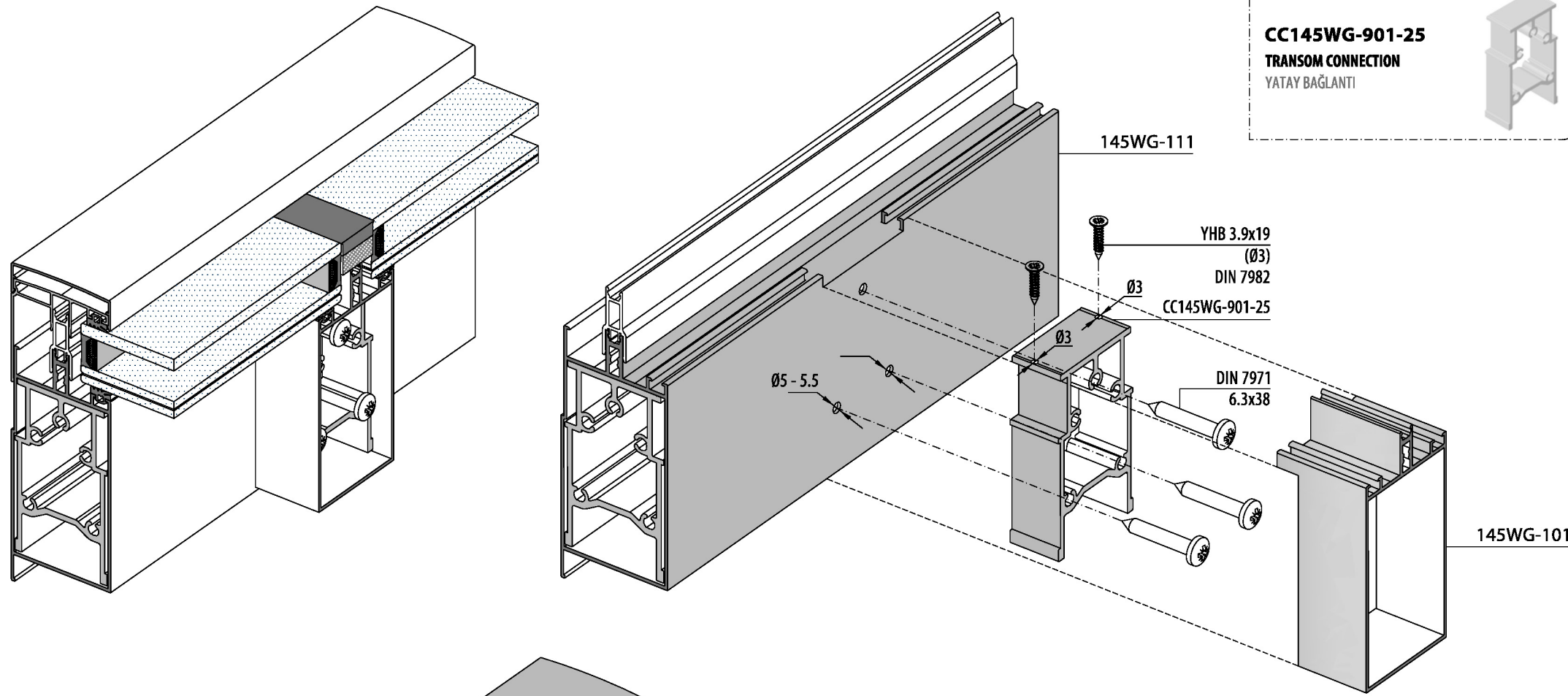
EPDM Glue
EPDM Yapıştırıcı

THE SCREW SHOULD BE SELECTED ACCORDING TO THE PLACE WHERE IT WILL BE INSTALLED.

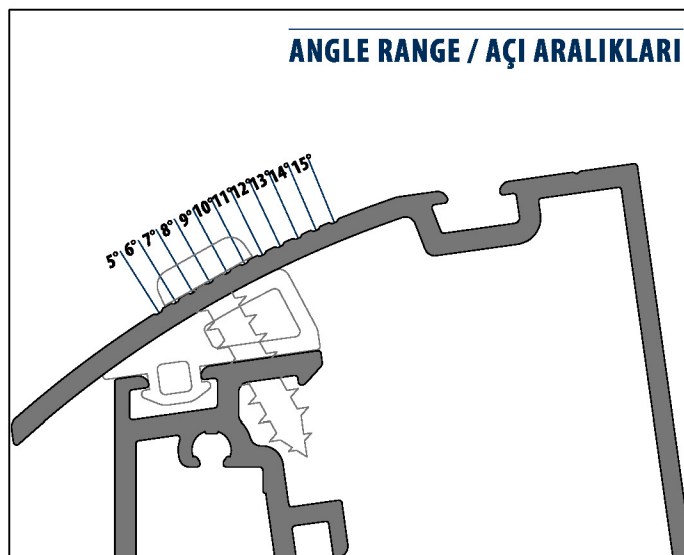
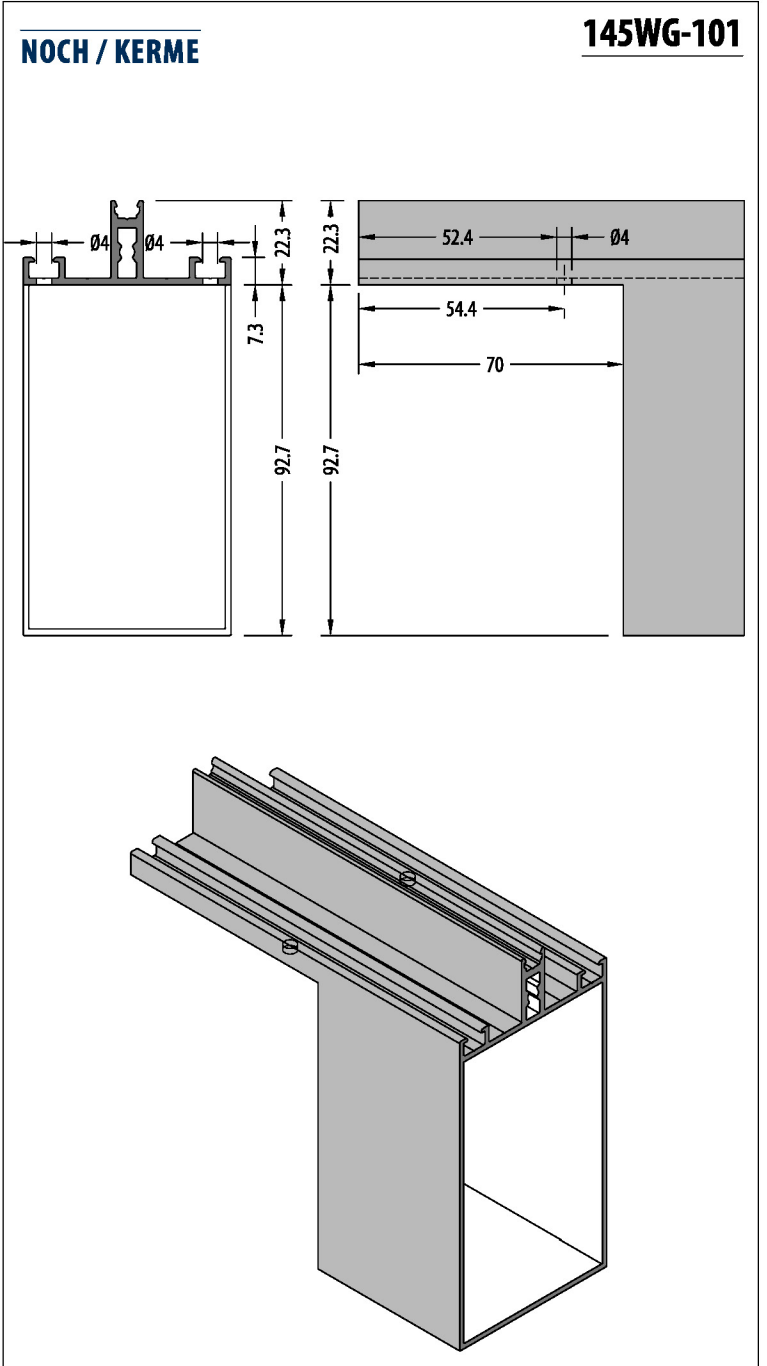
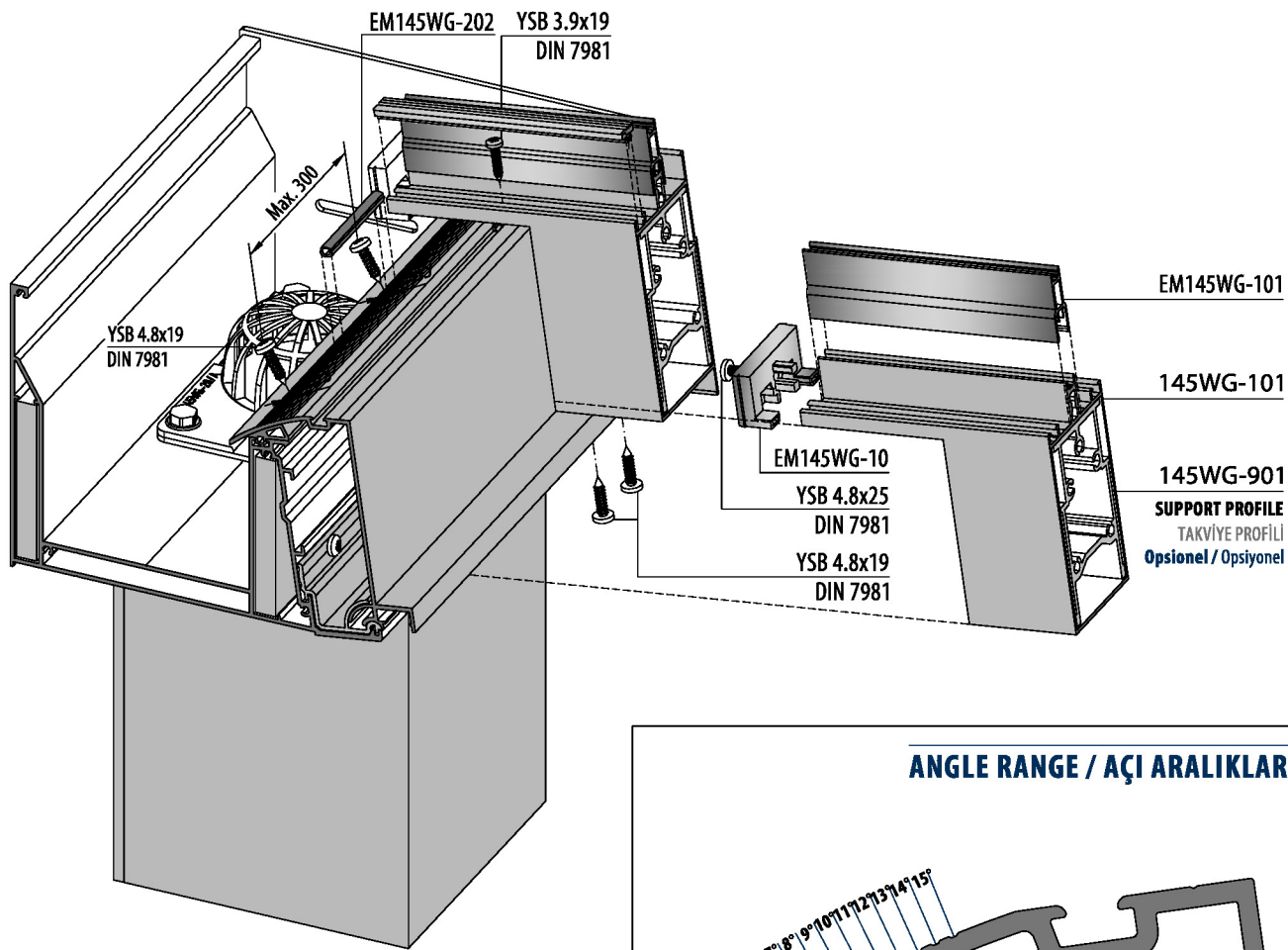
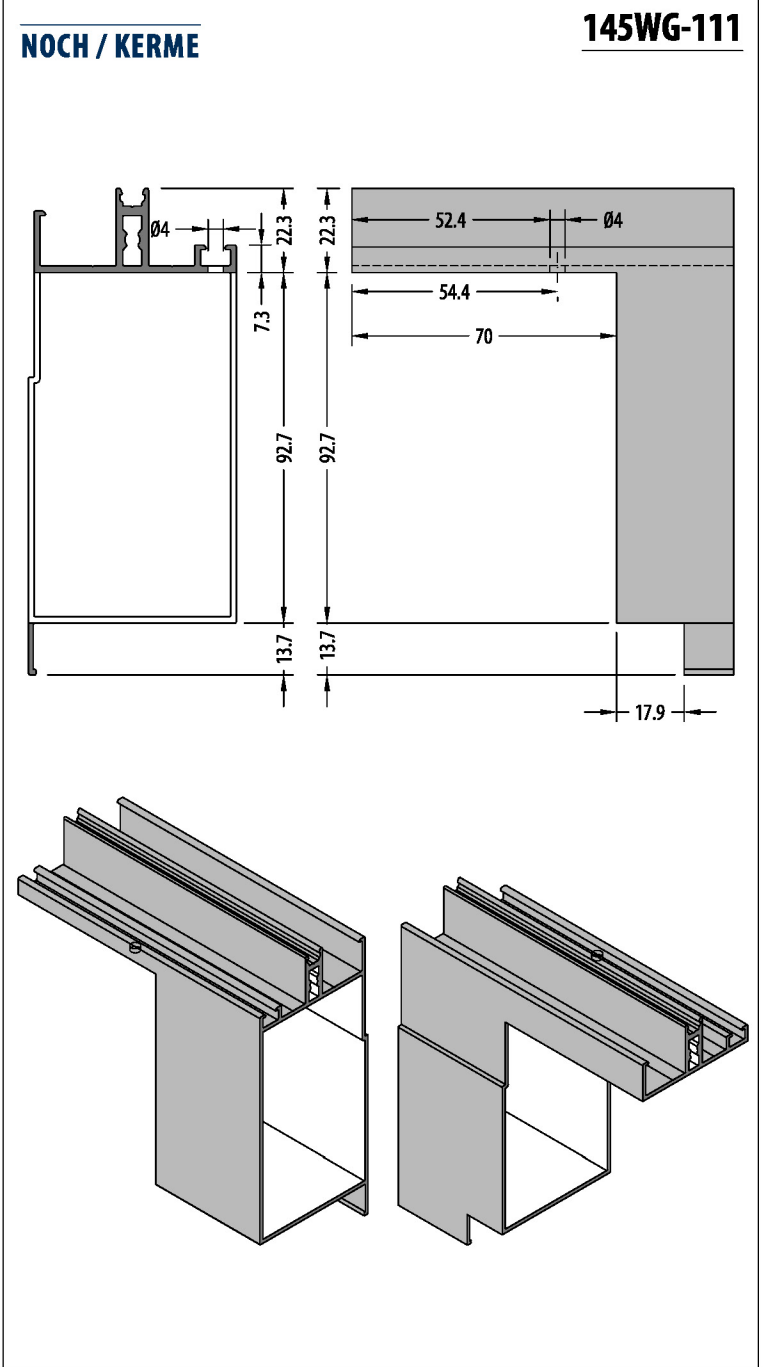
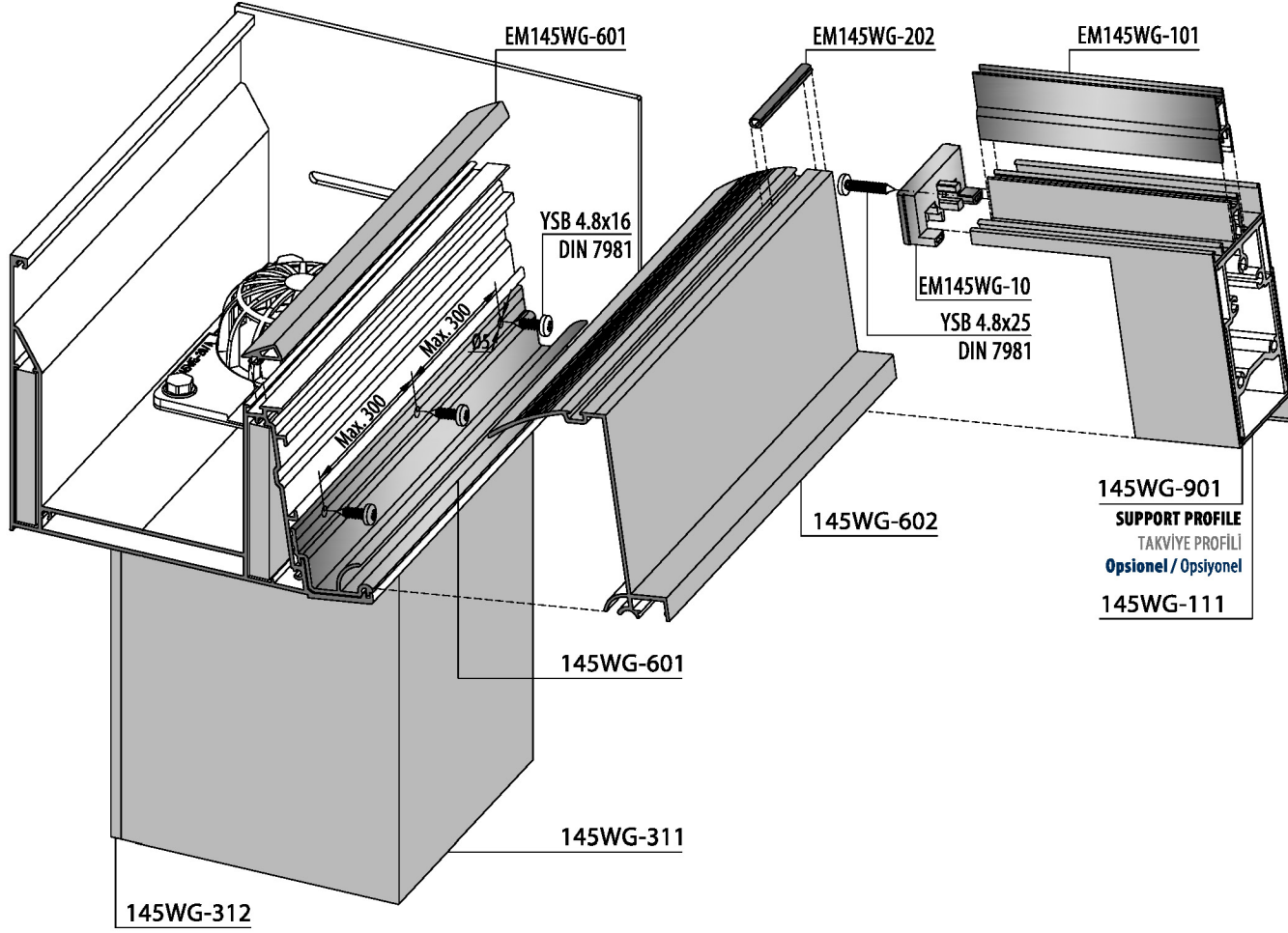
VIDA, MONTAJI YAPILACAK YERE UYGUN OLARAK SEÇİLMELİ



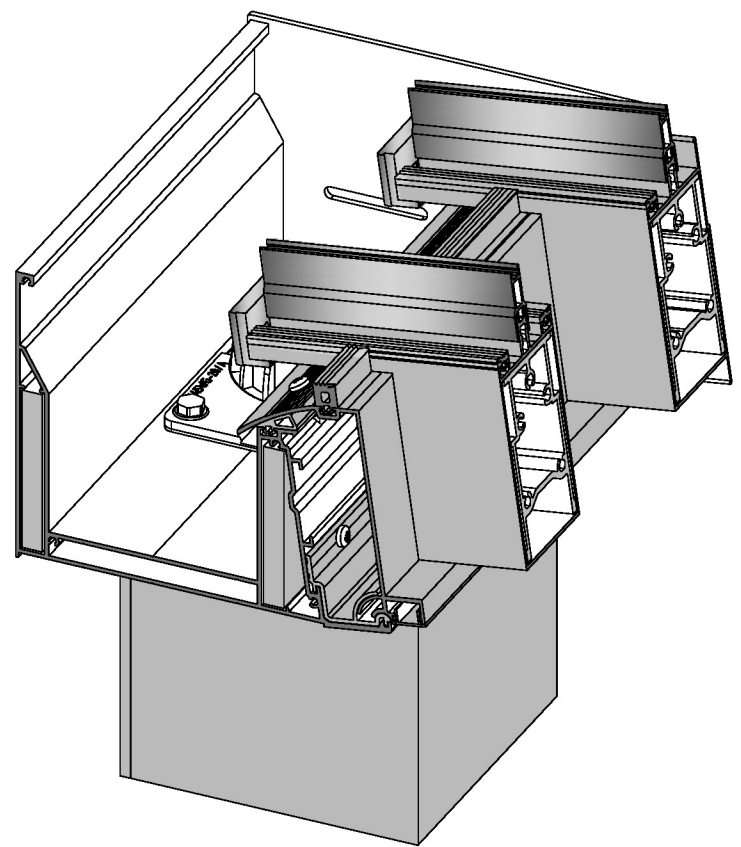
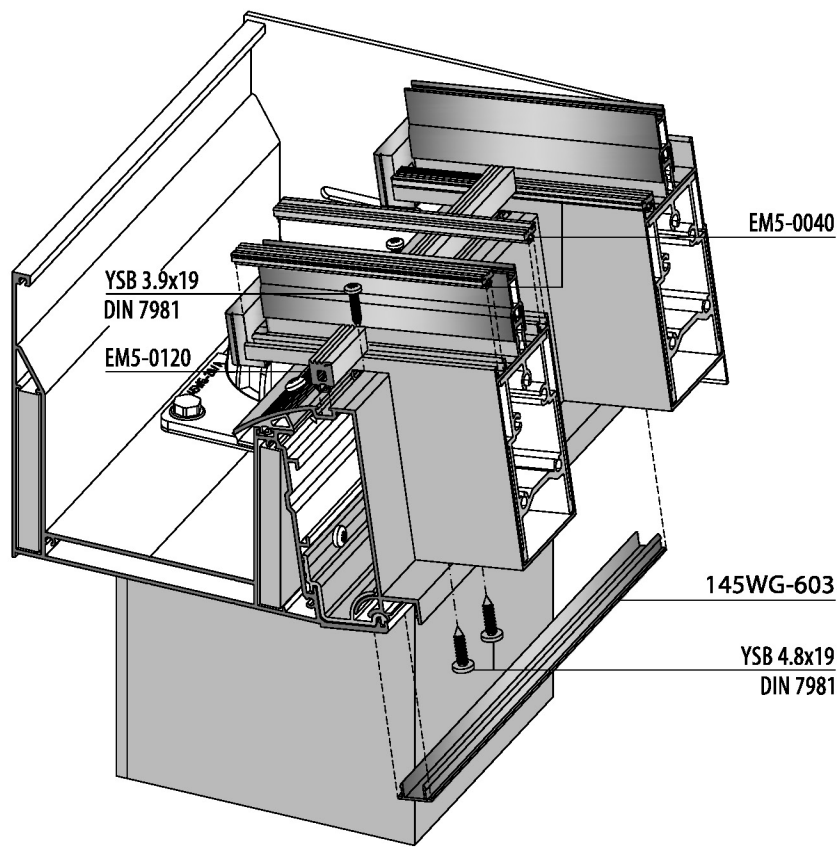
XXXXXXX / YATAY PROFİL MONTAJI



XXXXXXXX / XXXXXX



XXXXXXXX / XXXXXX



YHB 3.5x19
DIN 7982
EM145WG-10

YHB 3.5x19
DIN 7982
EM145WG-10

145WG-502

YSB 4.8x50
DIN 7981

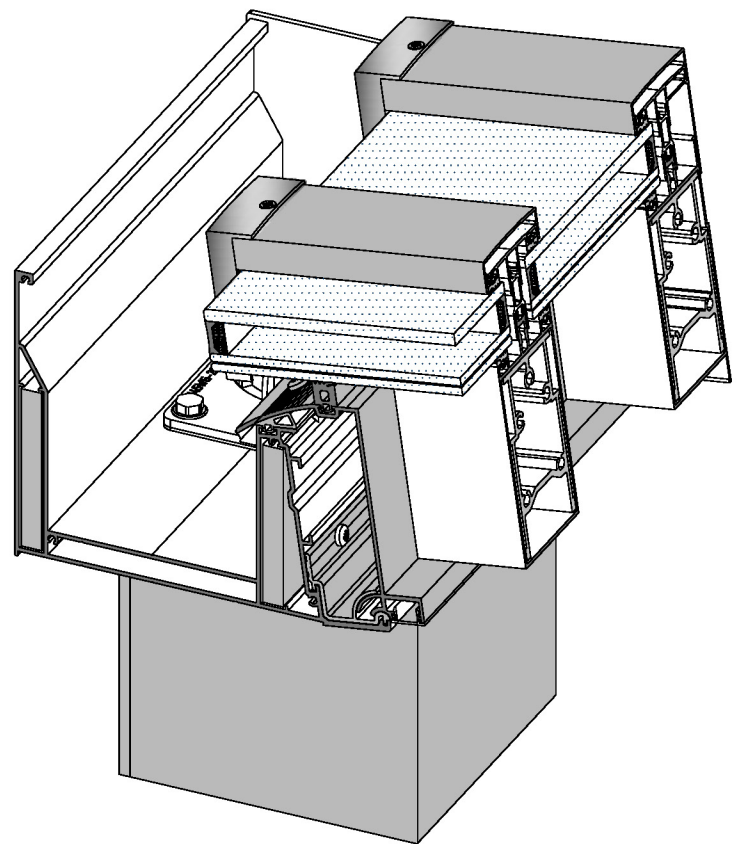
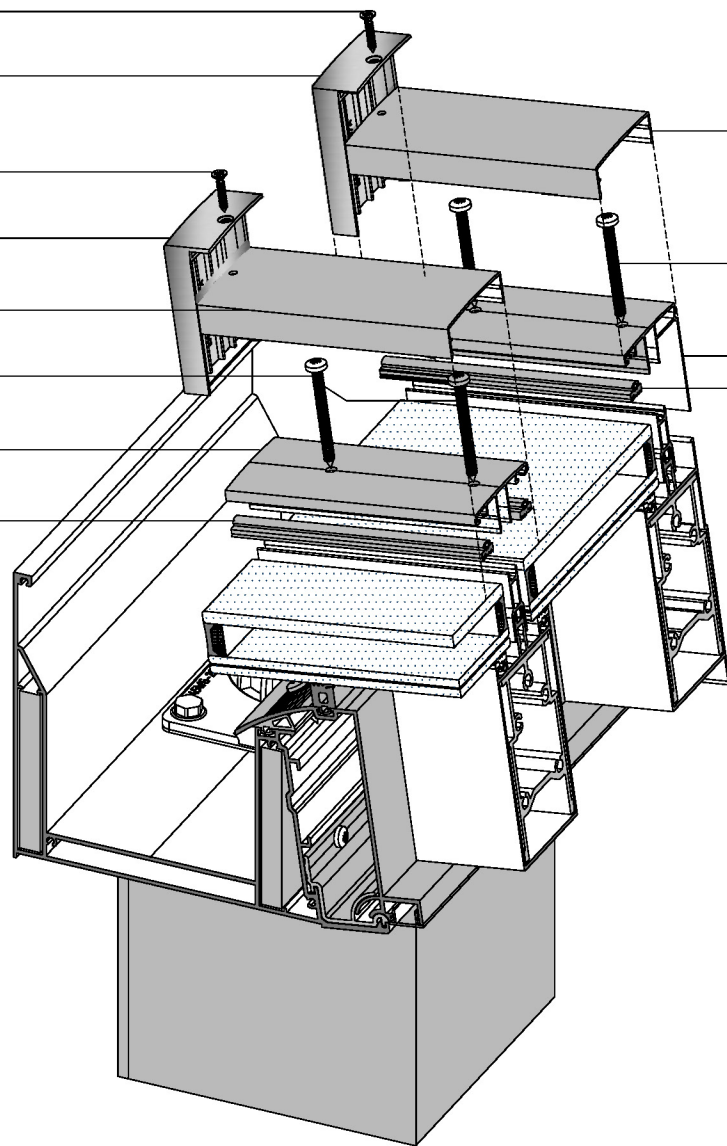
145WG-501

EM50-0040

145WG-502

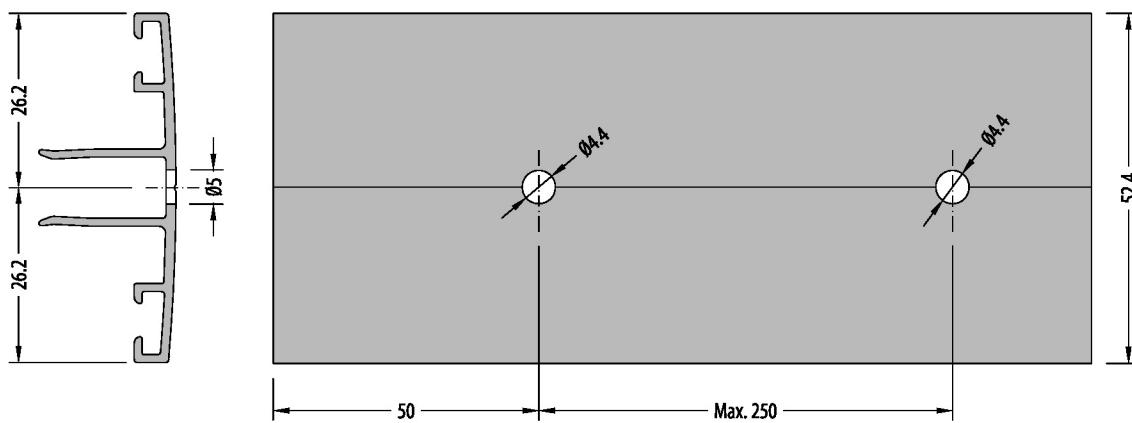
YSB 4.8x50
DIN 7981

145WG-503
EM50-0040

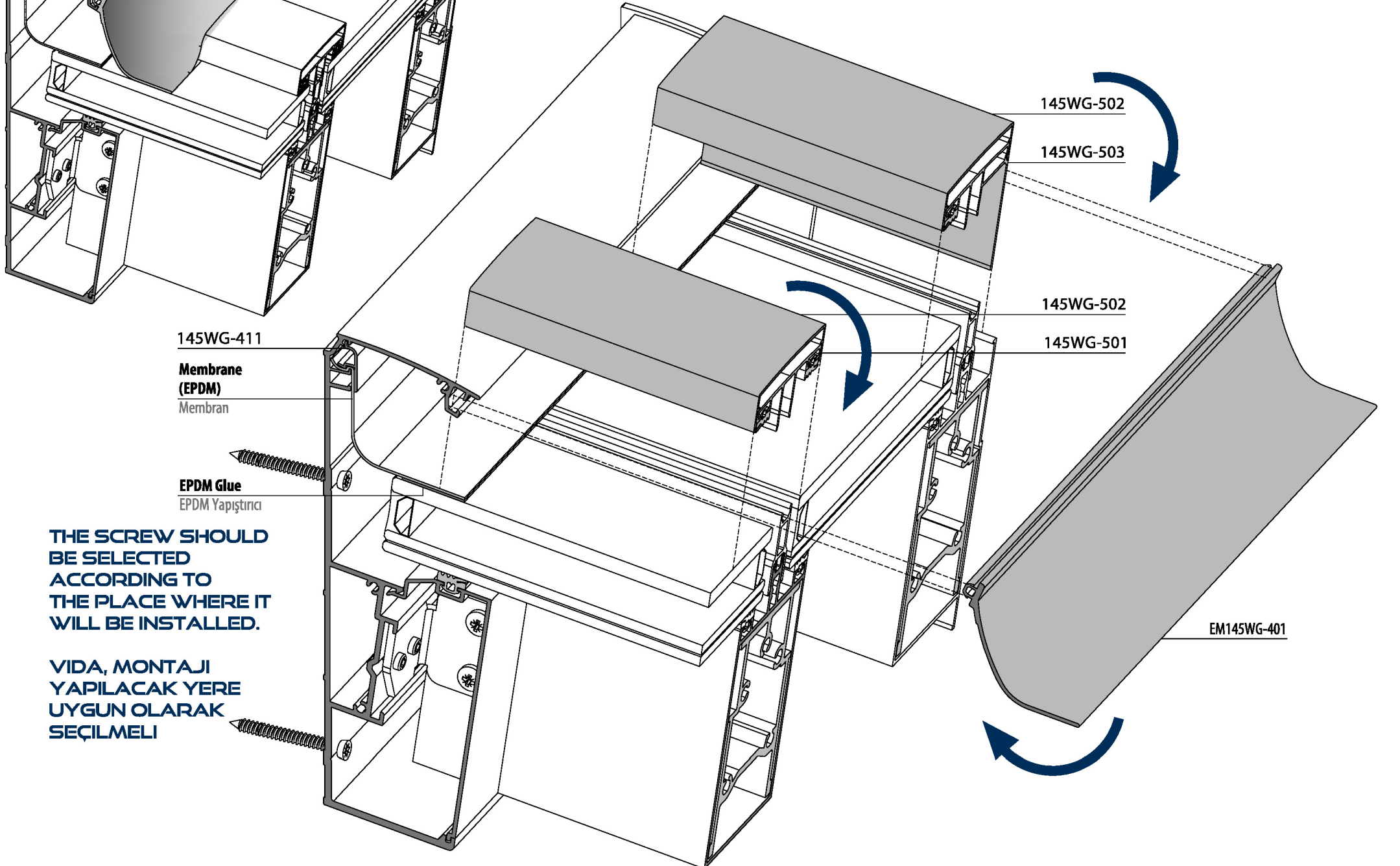
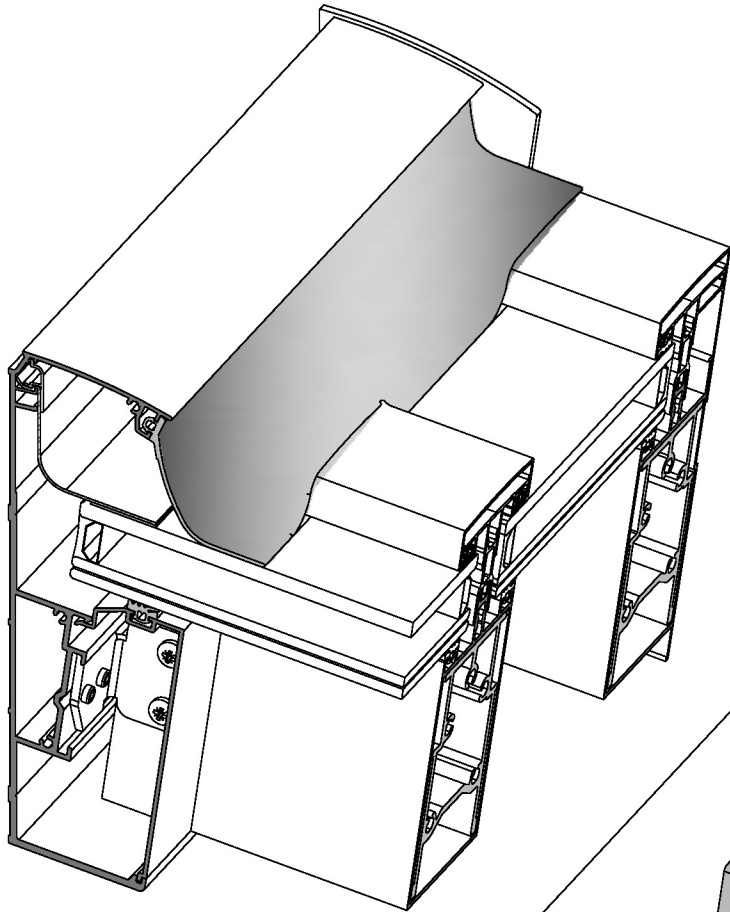
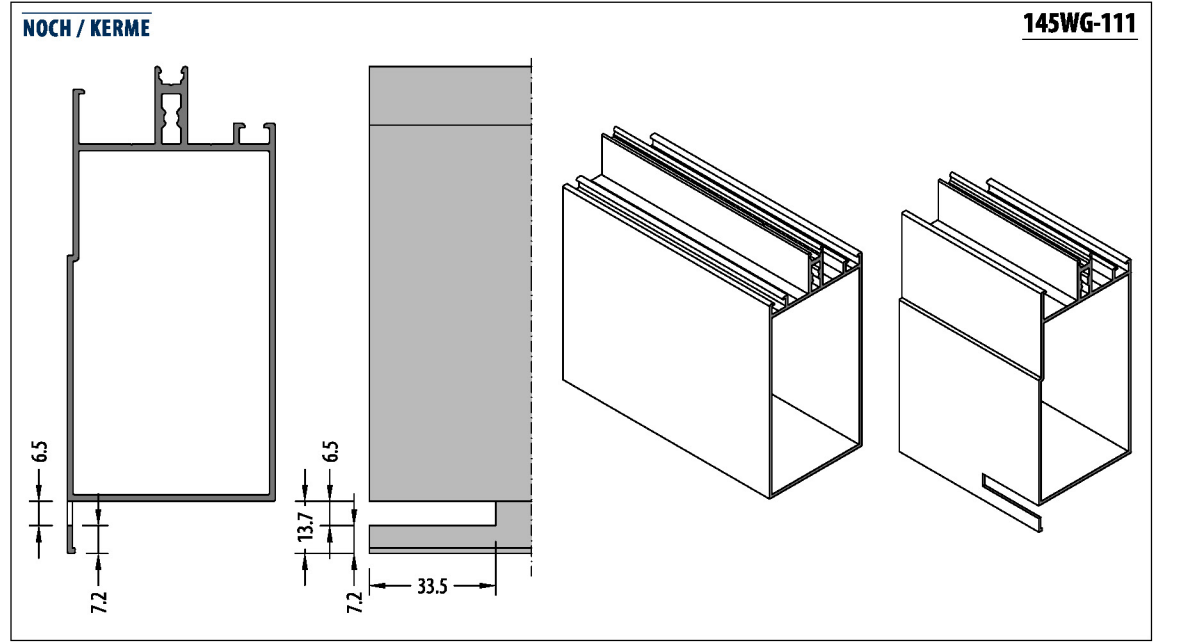
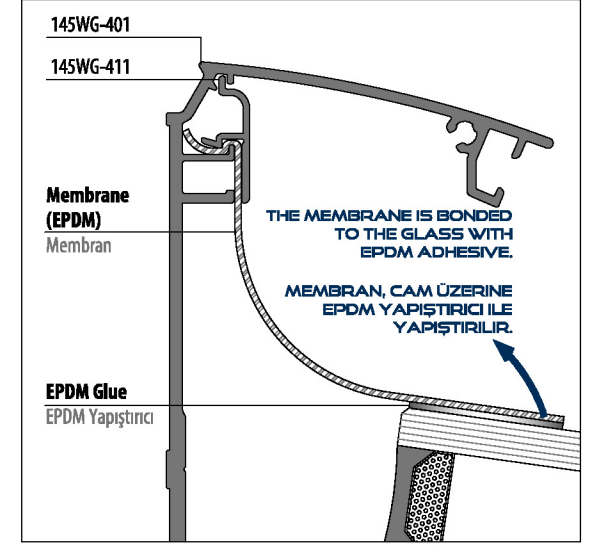
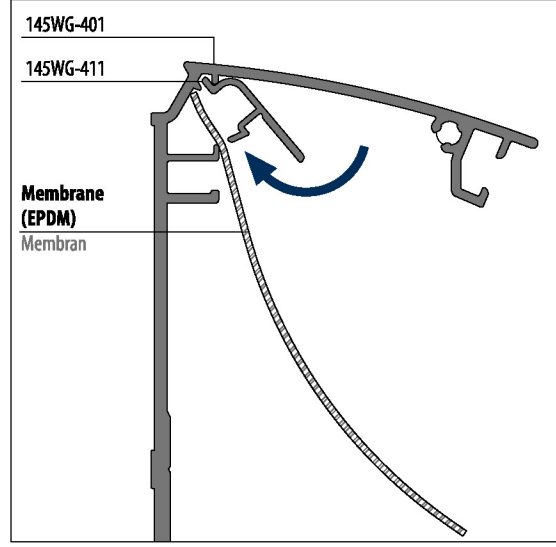
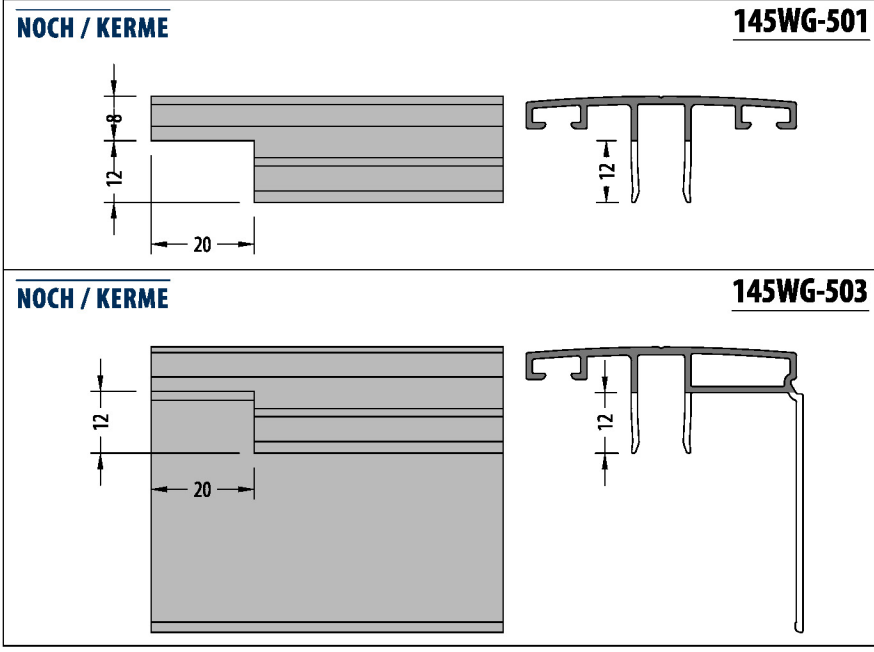


HOLES / DELİK

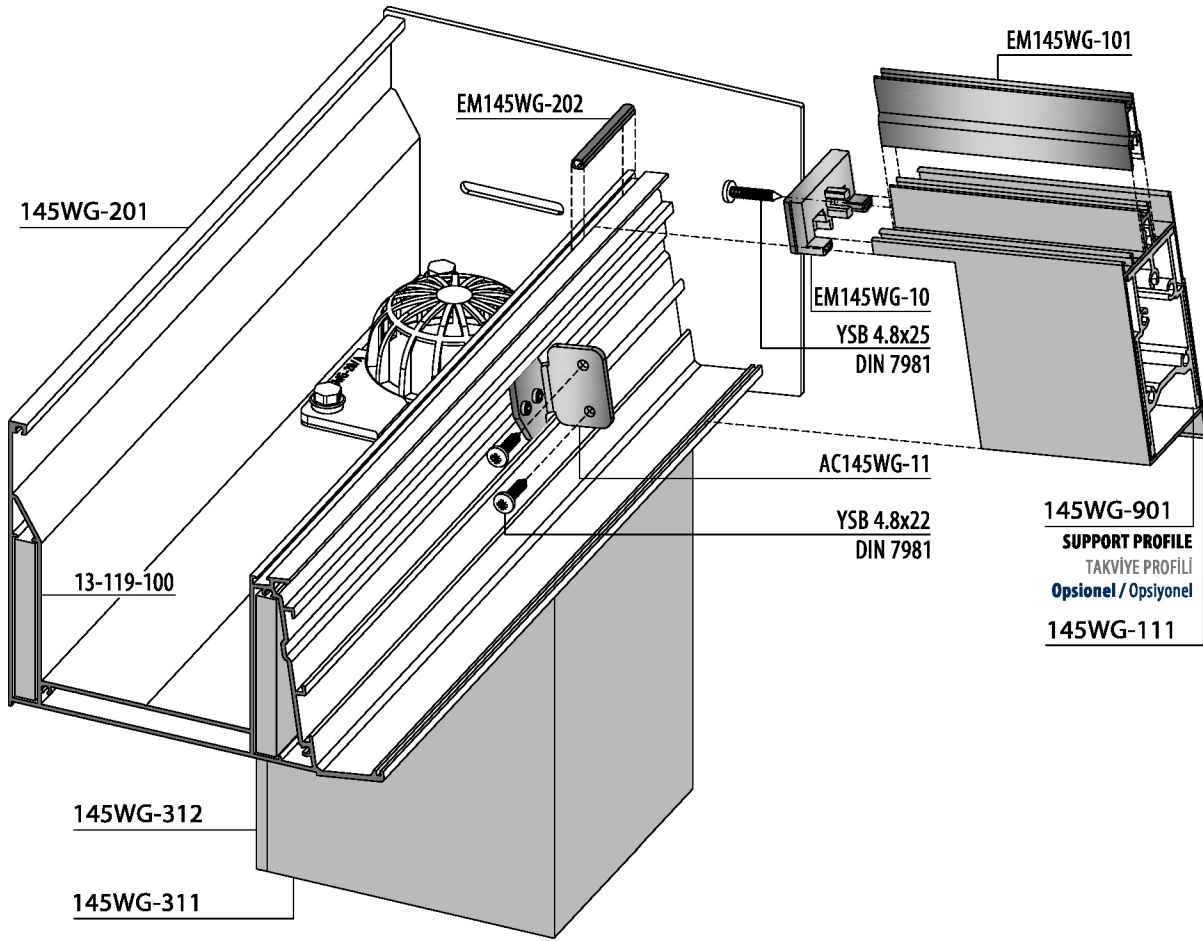
145WG-501



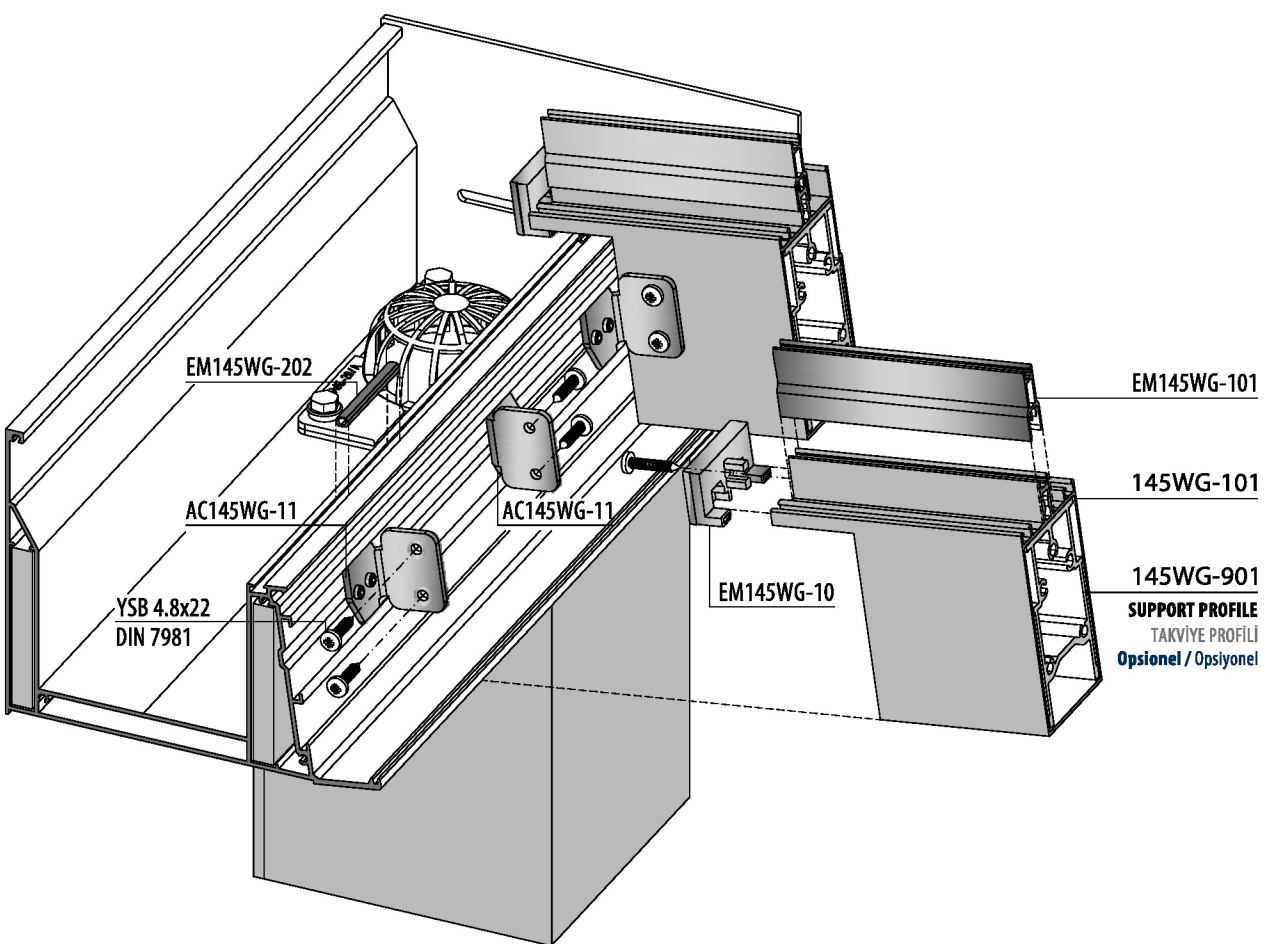
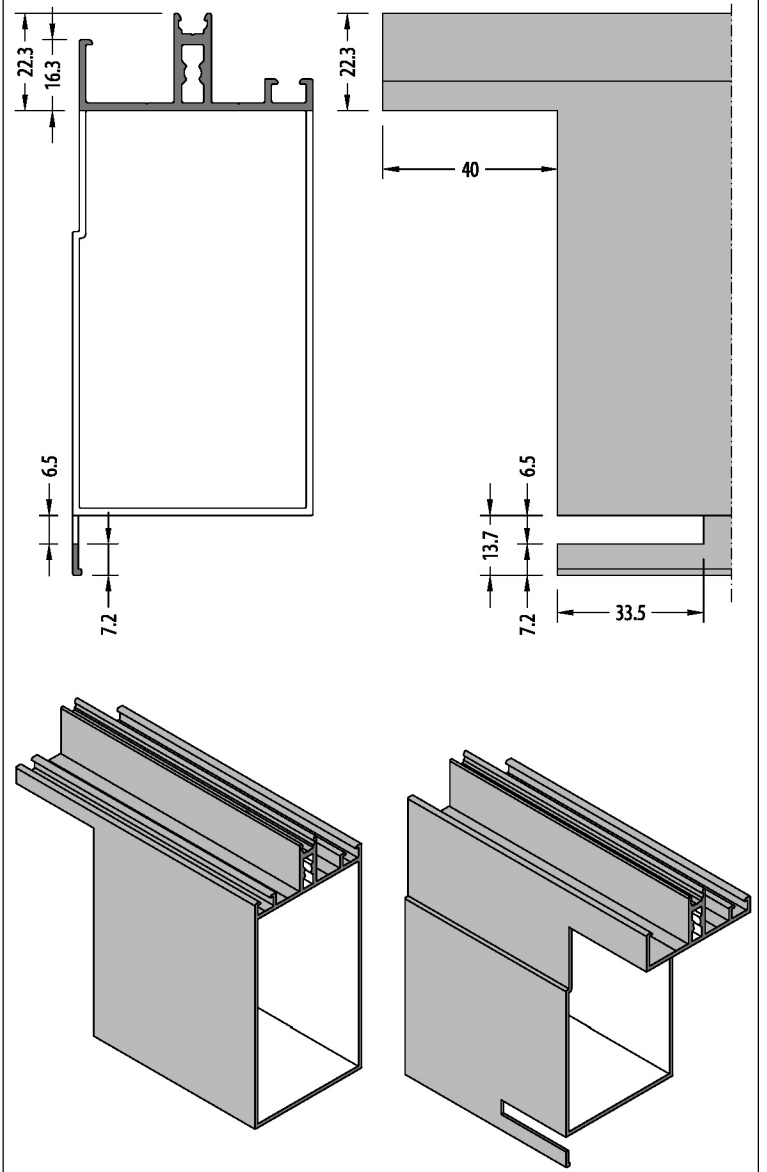
WALL SIDE ASSEMBLY / DUVAR TARAFI MONTAJI



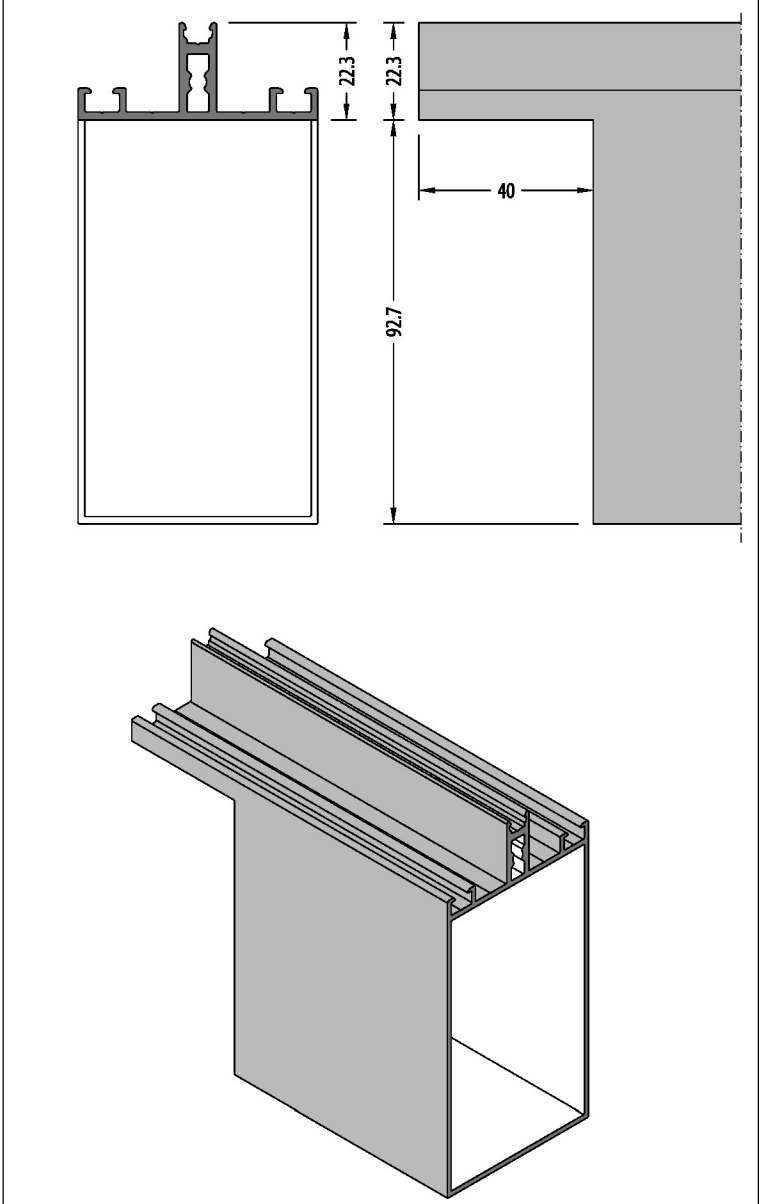
XXXXXXXX / XXXXXX



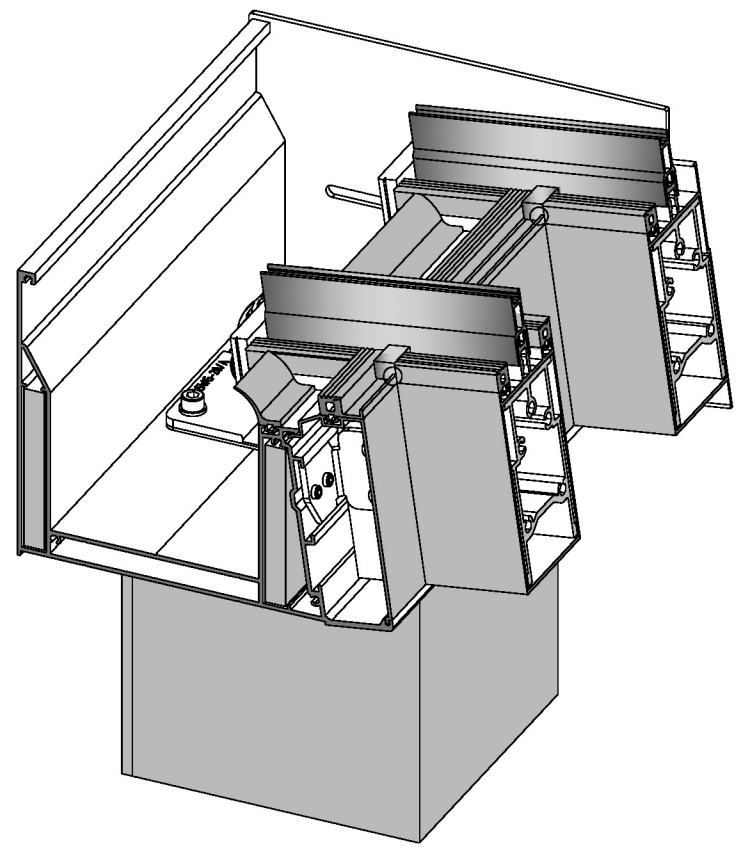
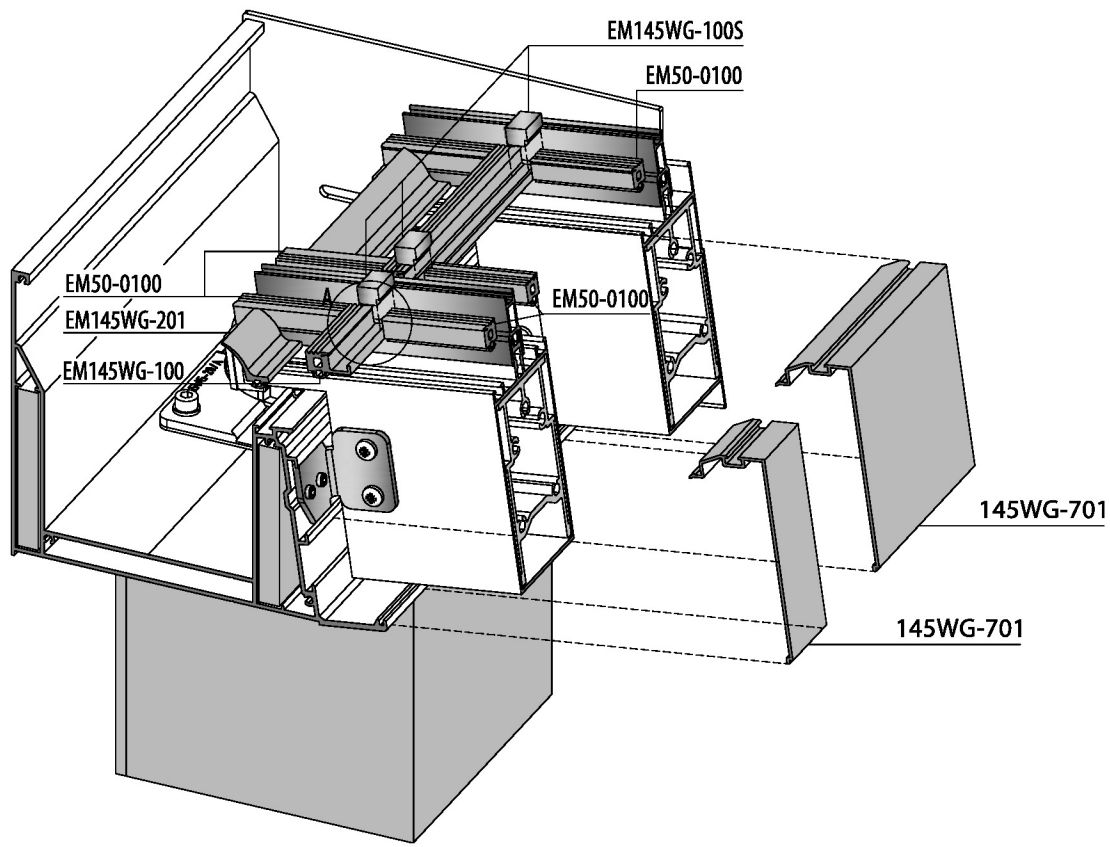
NOCH / KERME 145WG-111



NOCH / KERME 145WG-101



XXXXXXXX / XXXXXX



YHB 3.5x19
DIN 7982
EM145WG-10

YHB 3.5x19
DIN 7982
EM145WG-10

145WG-502

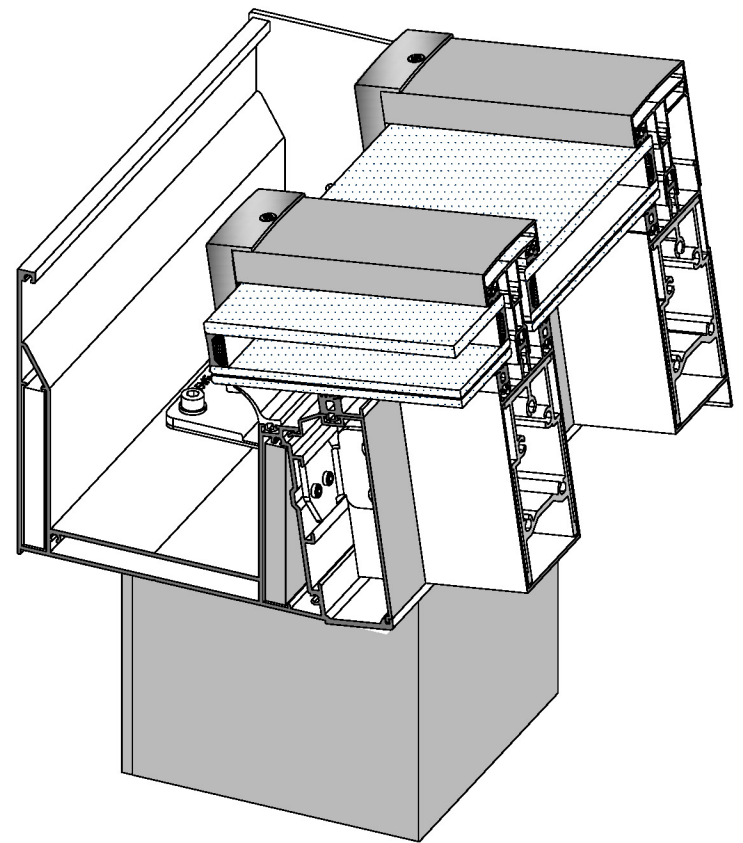
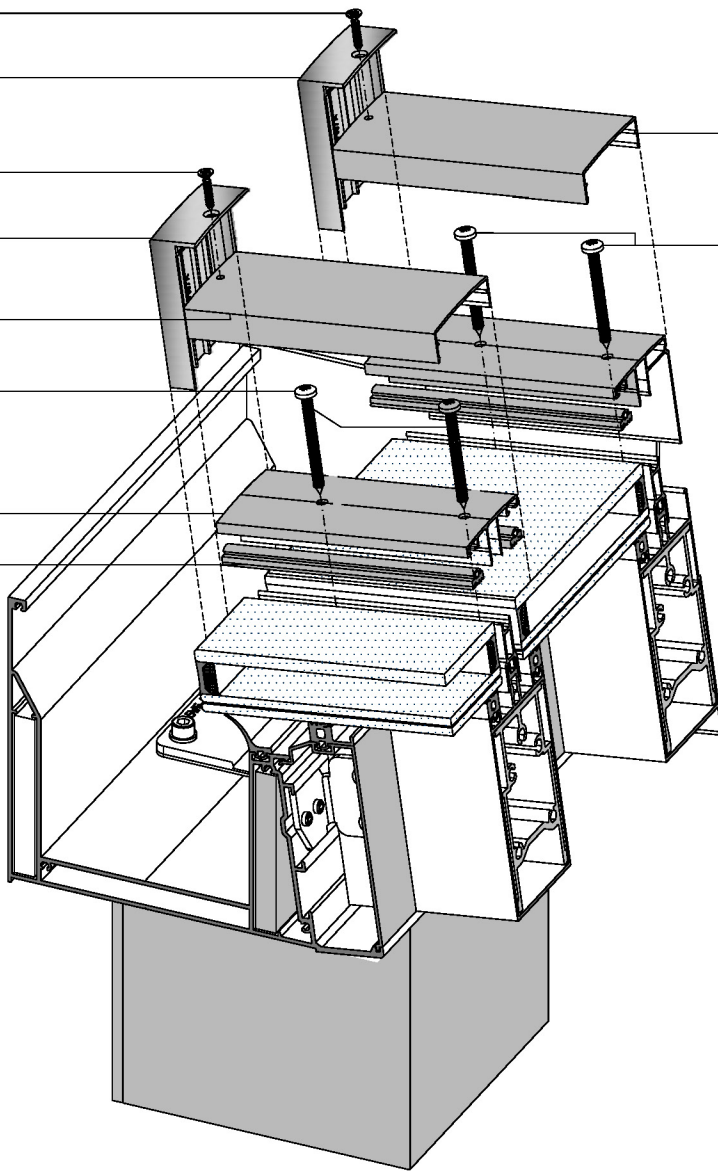
YSB 4.8x50
DIN 7981

145WG-501

EM50-0040

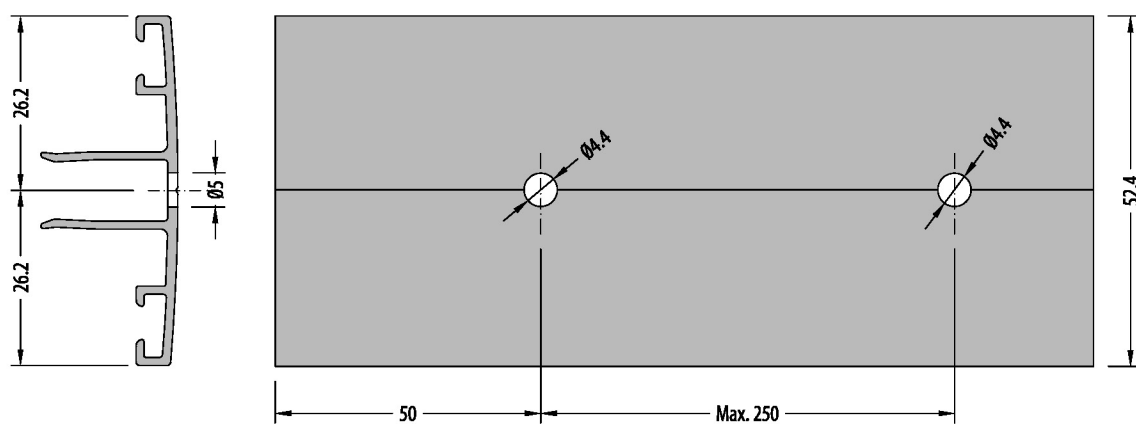
145WG-502

YSB 4.8x50
DIN 7981

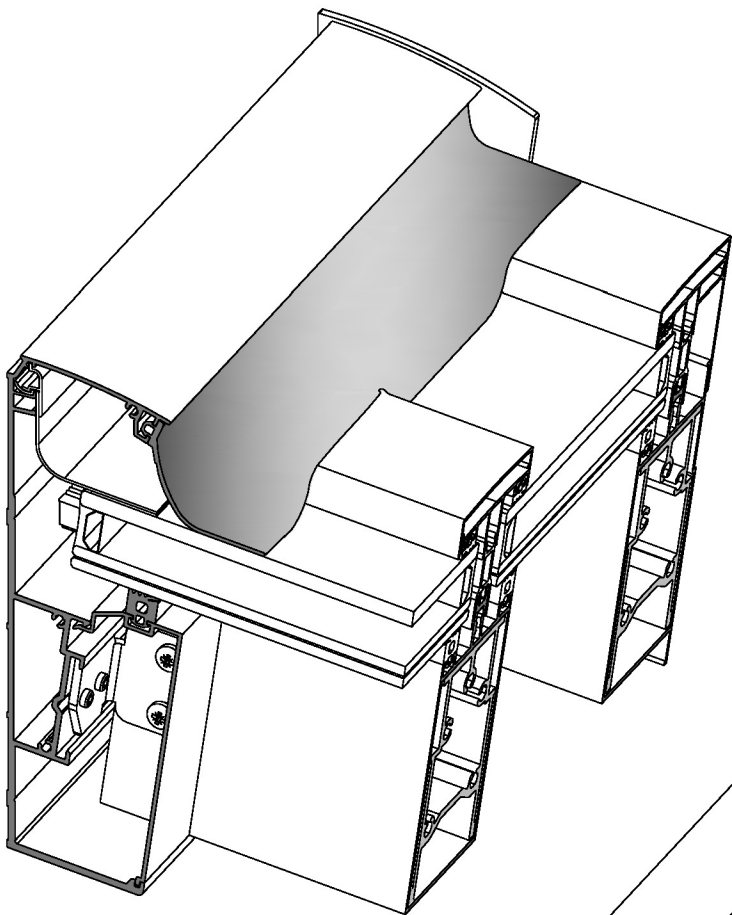
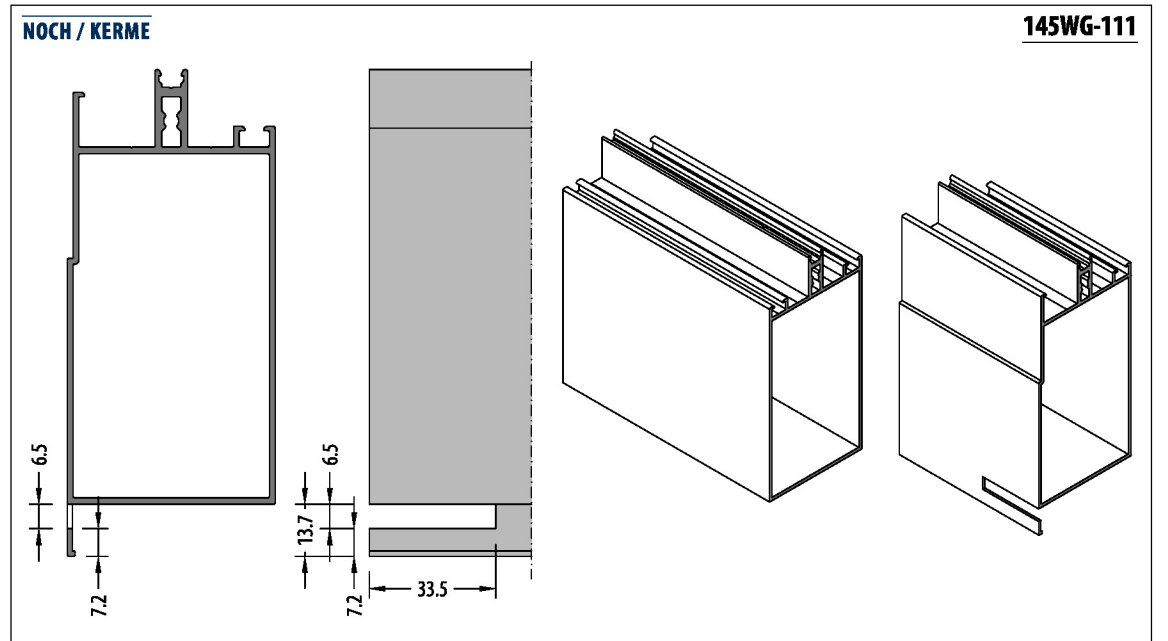
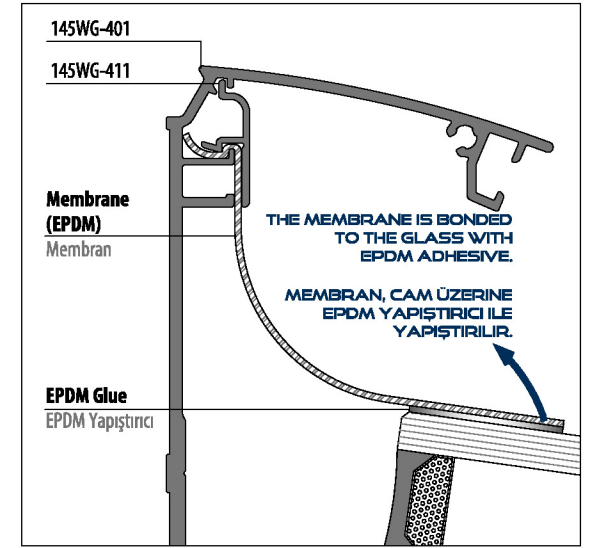
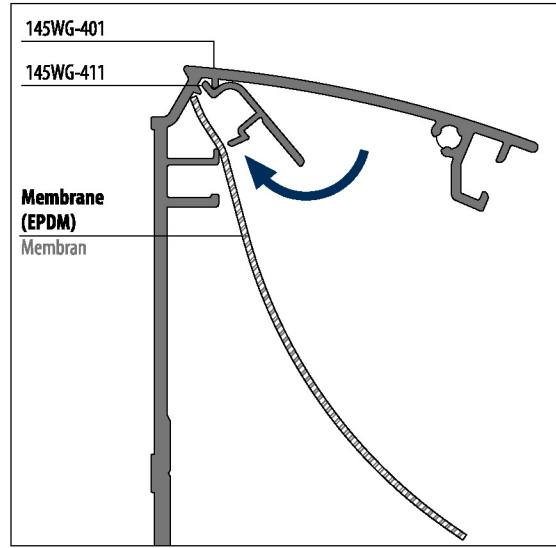
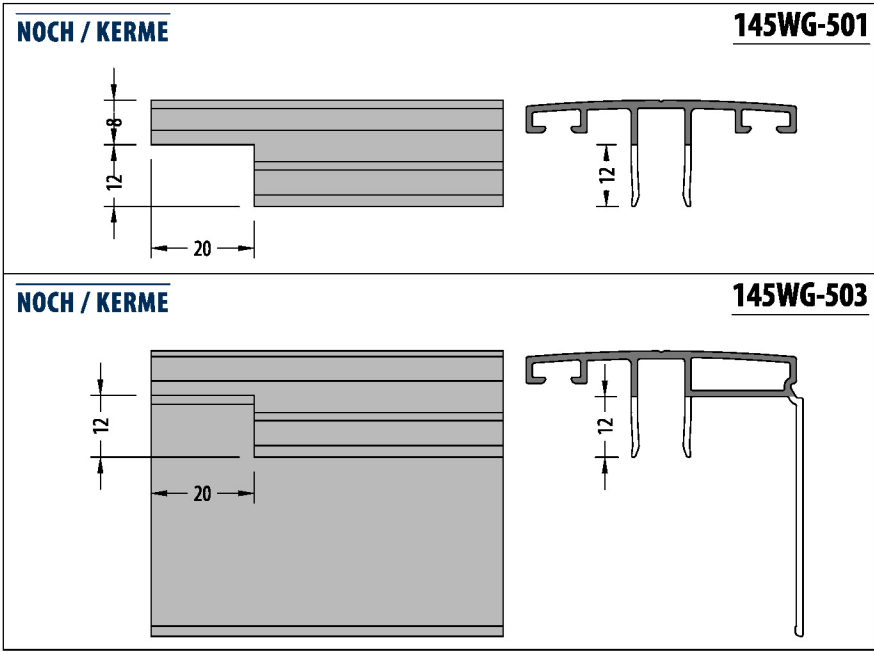


HOLES / DELİK

145WG-501



WALL SIDE ASSEMBLY / DUVAR TARAFI MONTAJI

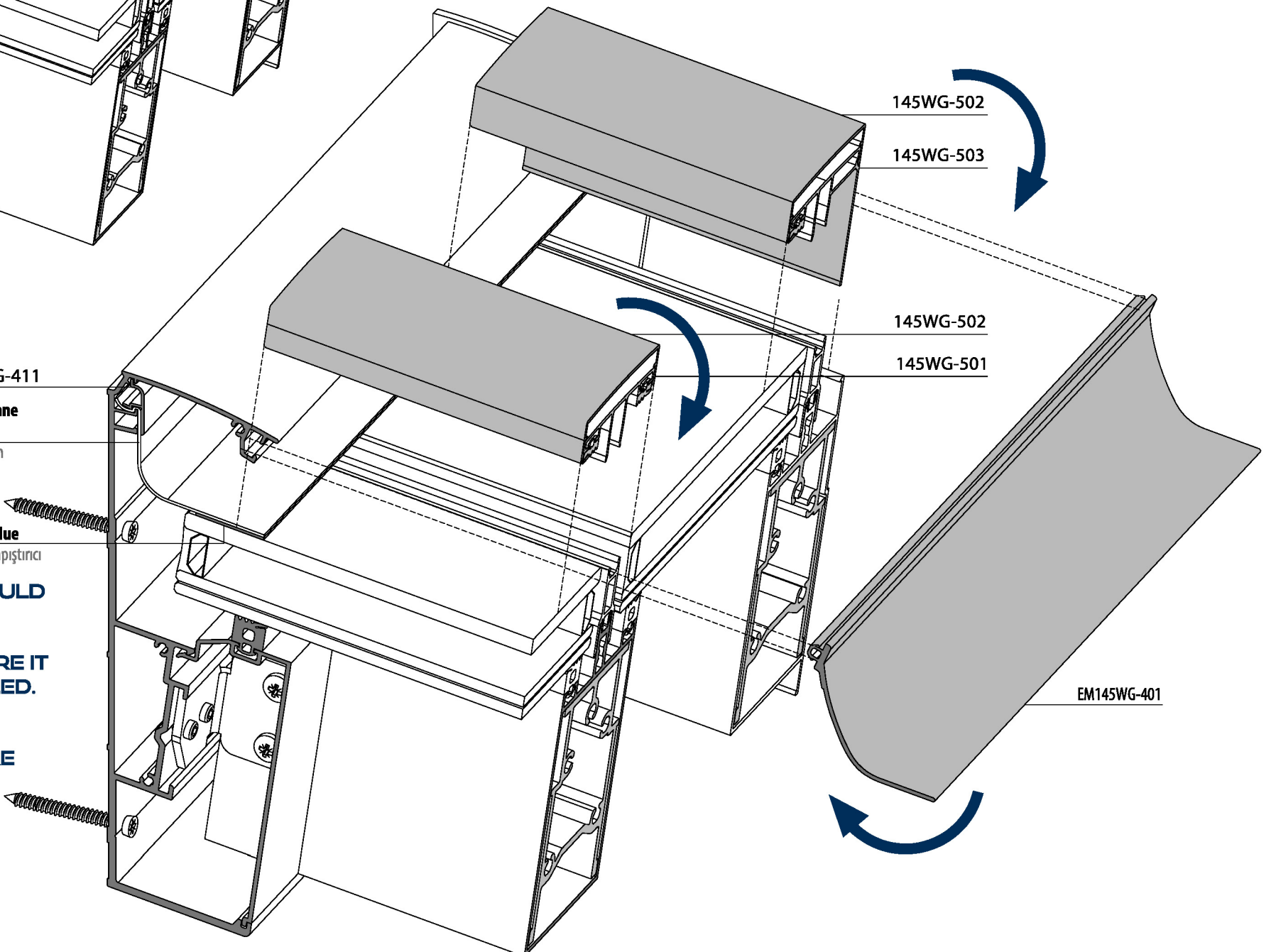


145WG-411
Membrane (EPDM)
Membran

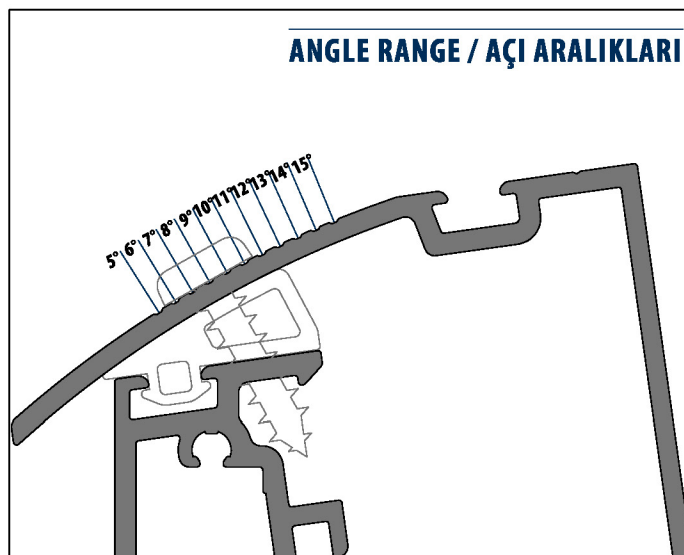
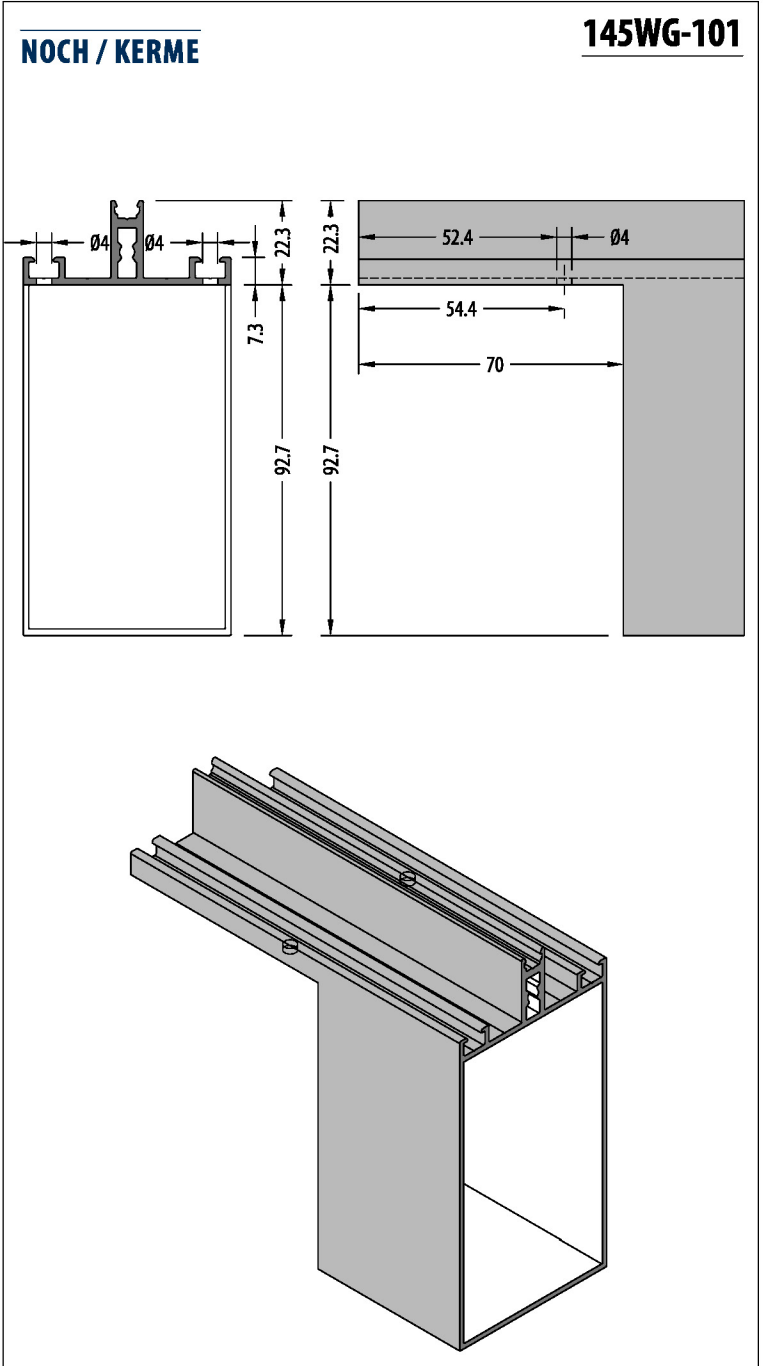
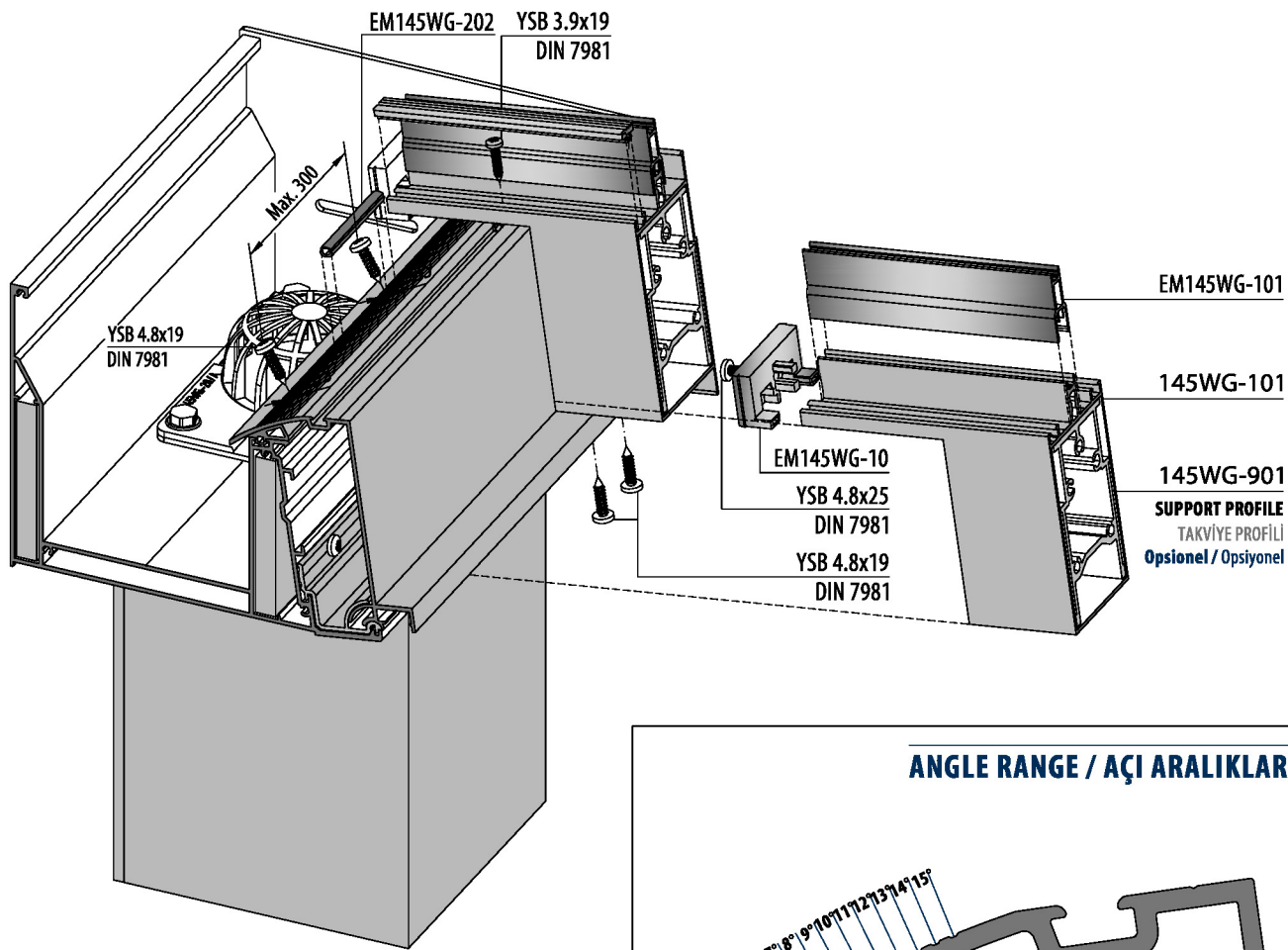
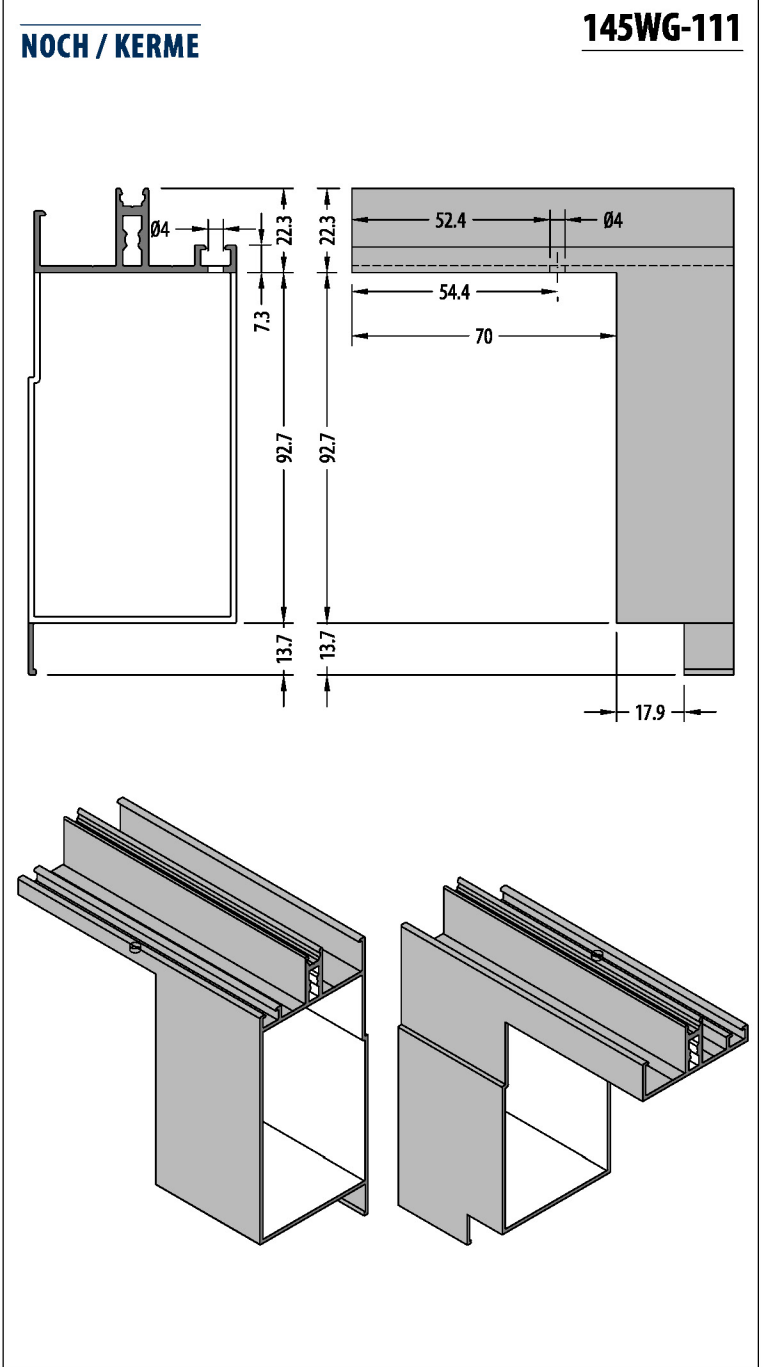
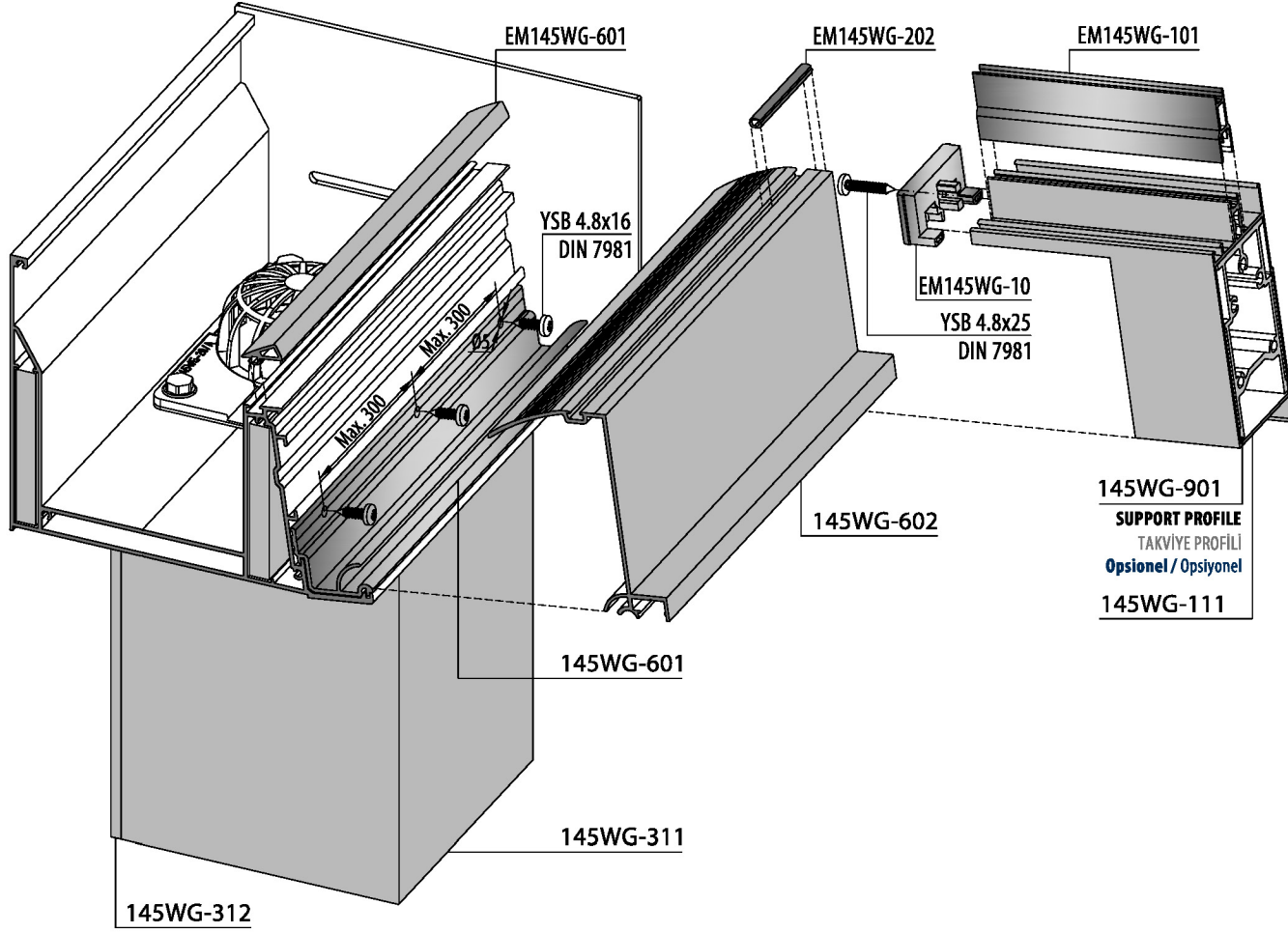
EPDM Glue
EPDM Yapıştırıcı

THE SCREW SHOULD BE SELECTED ACCORDING TO THE PLACE WHERE IT WILL BE INSTALLED.

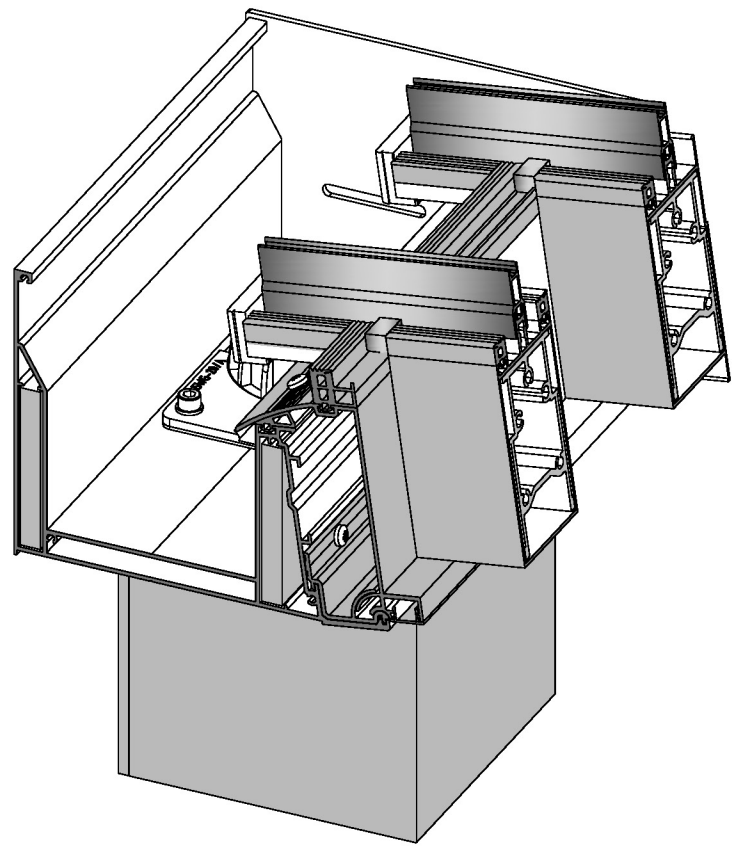
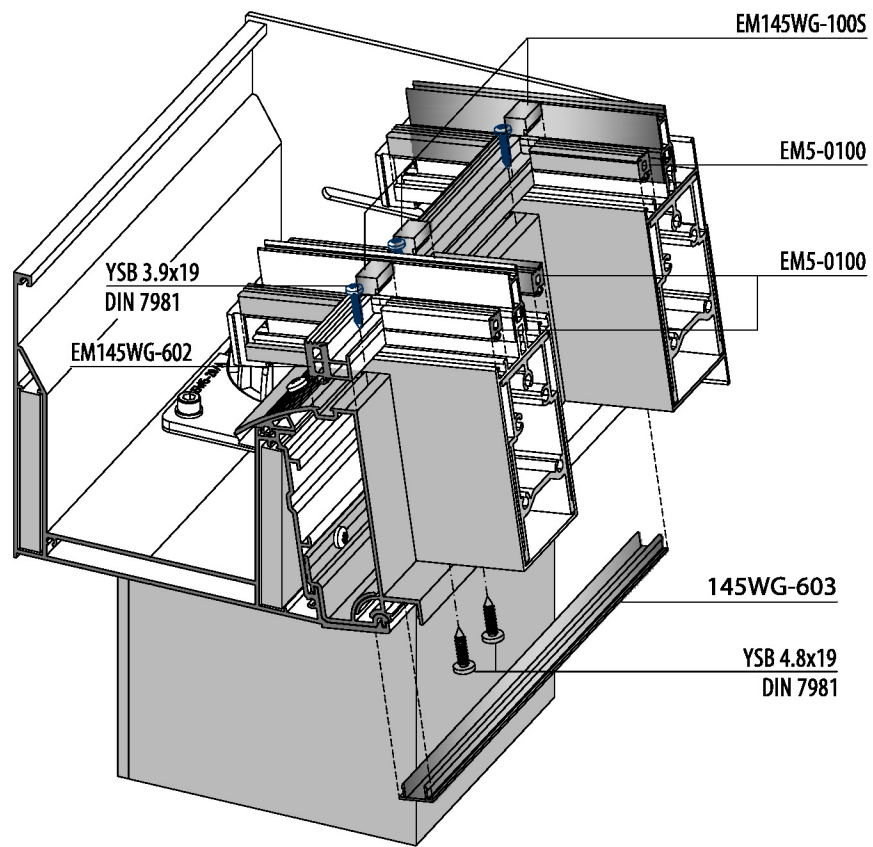
VIDA, MONTAJI YAPILACAK YERE UYGUN OLARAK SEÇİLMELİ



XXXXXXX / XXXXXX



XXXXXXXX / XXXXXX



YHB 3.5x19
DIN 7982
EM145WG-10

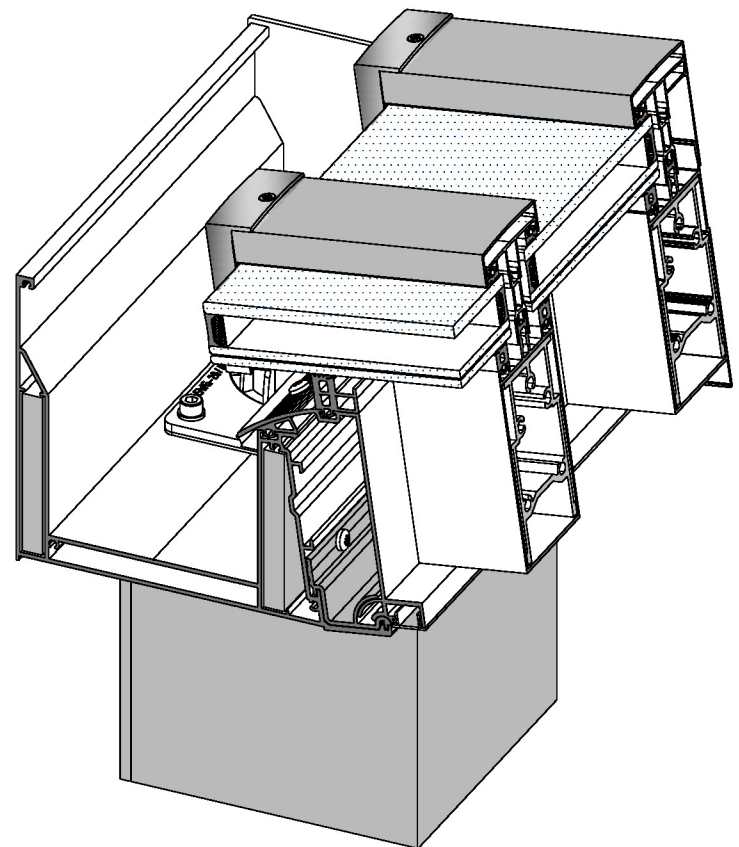
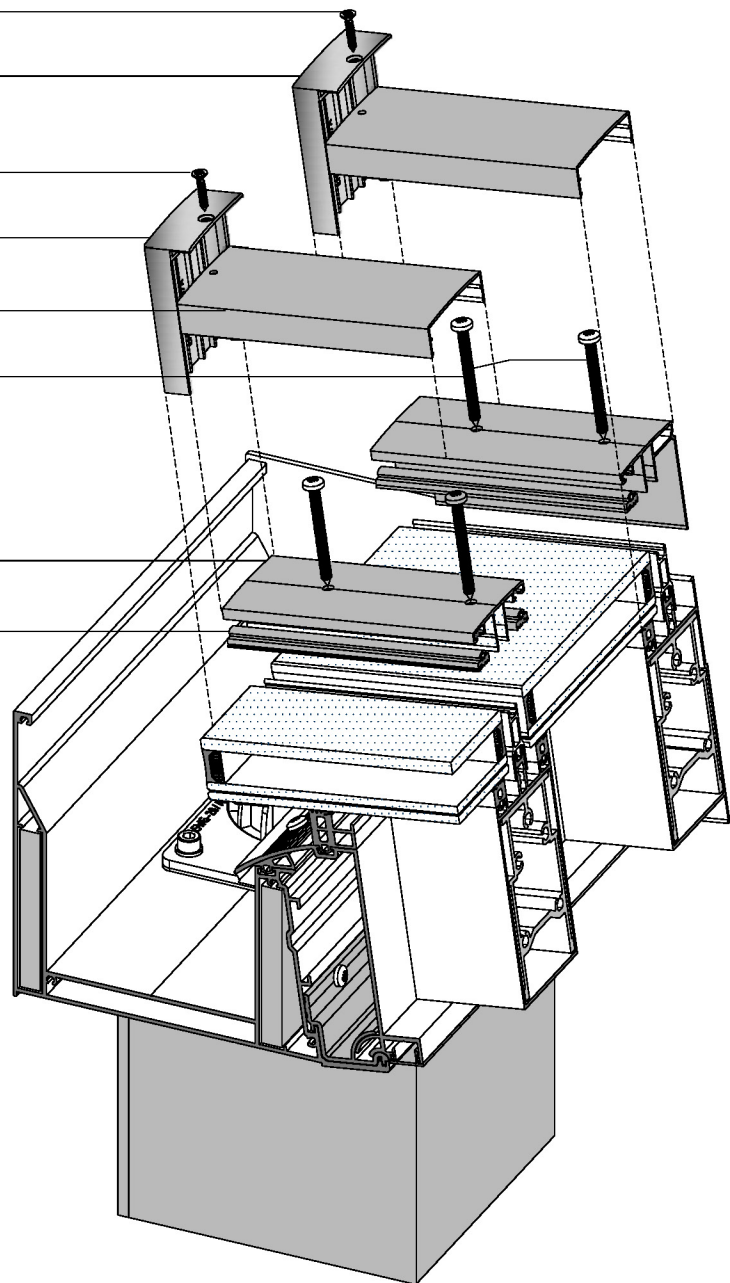
YHB 3.5x19
DIN 7982
EM145WG-10

145WG-502

YSB 4.8x50
DIN 7981

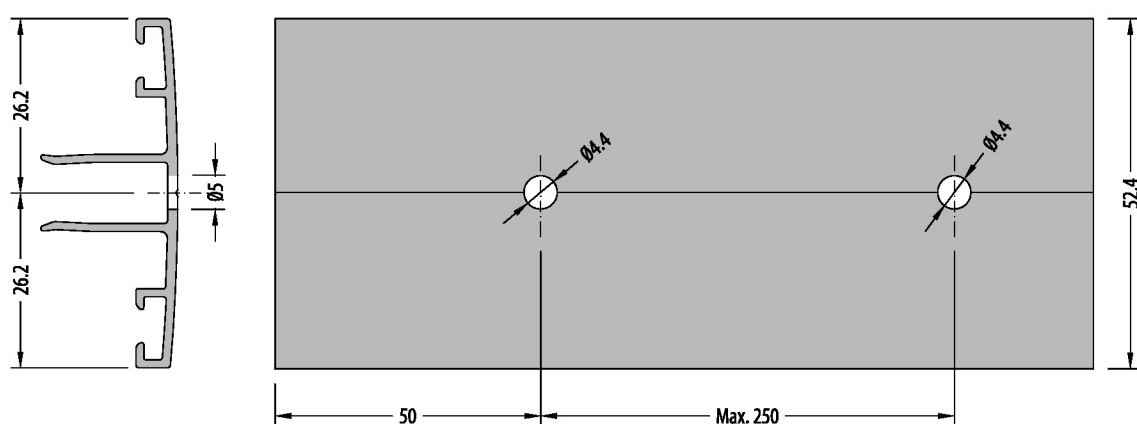
145WG-501

EM50-0040

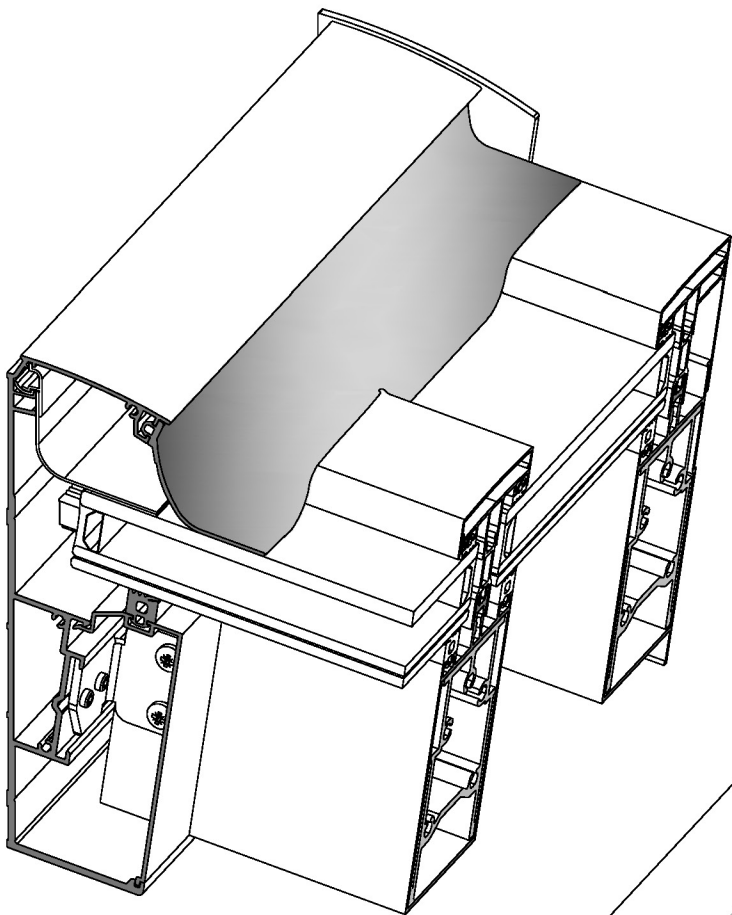
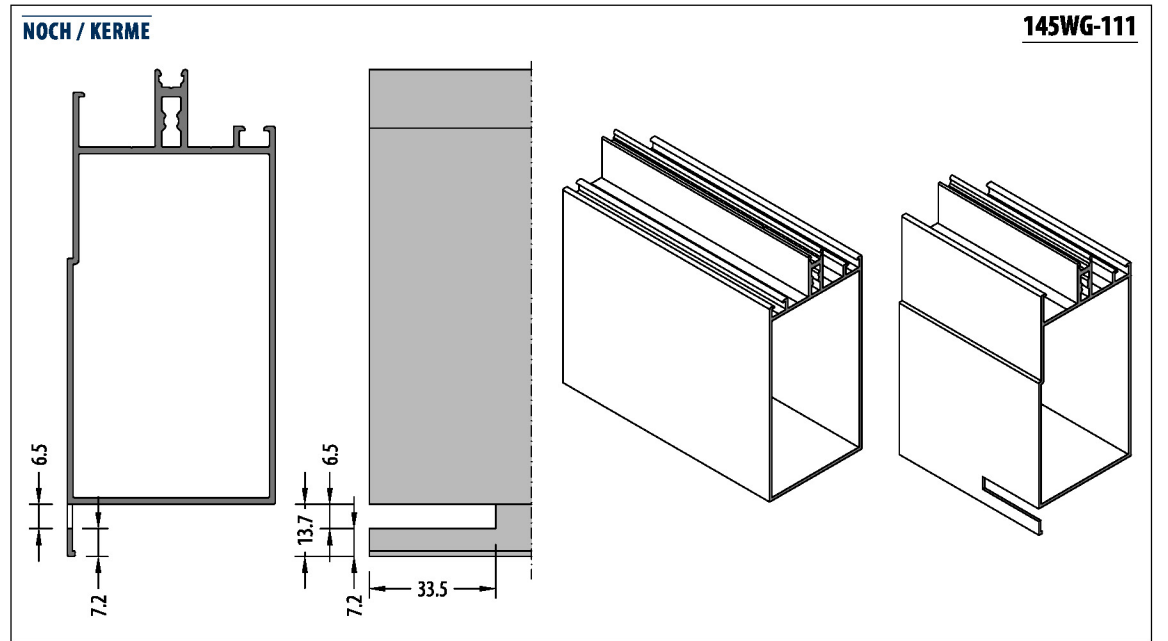
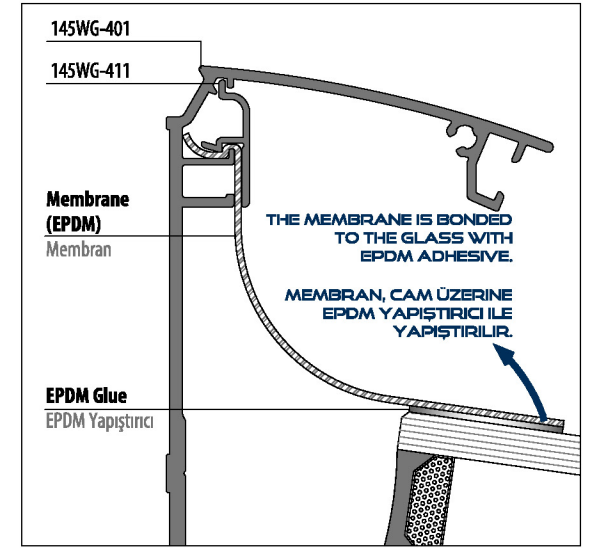
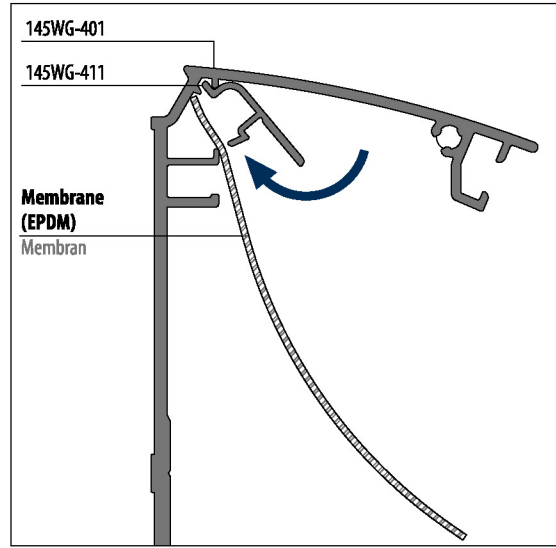
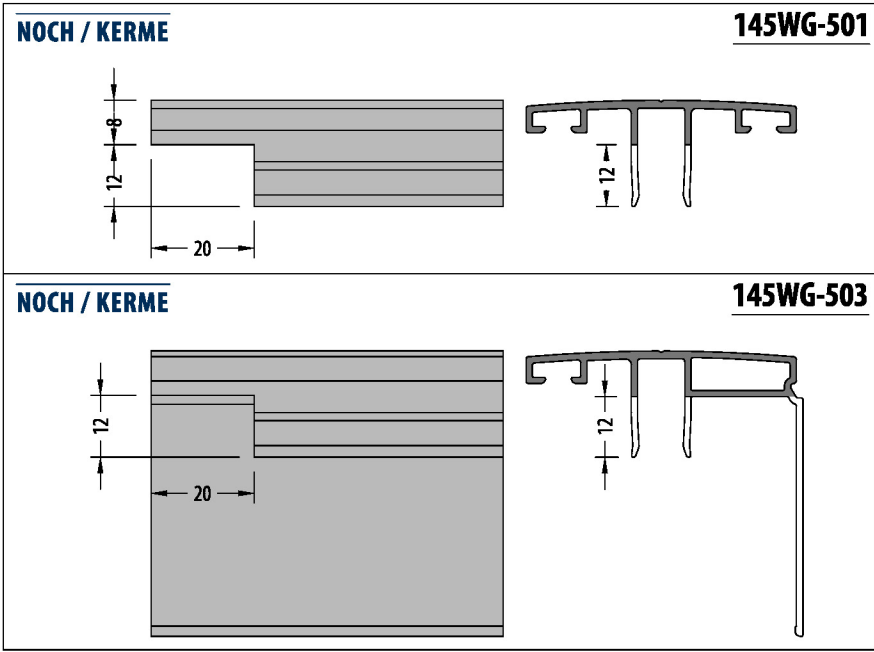


HOLES / DELİK

145WG-501



WALL SIDE ASSEMBLY / DUVAR TARAFI MONTAJI



145WG-411
Membrane (EPDM)
Membran

EPDM Glue
EPDM Yapıştırıcı

THE SCREW SHOULD BE SELECTED ACCORDING TO THE PLACE WHERE IT WILL BE INSTALLED.

VIDA, MONTAJI YAPILACAK YERE UYGUN OLARAK SEÇİLMELİ

145WG-502

145WG-503

145WG-502

145WG-501

EM145WG-401